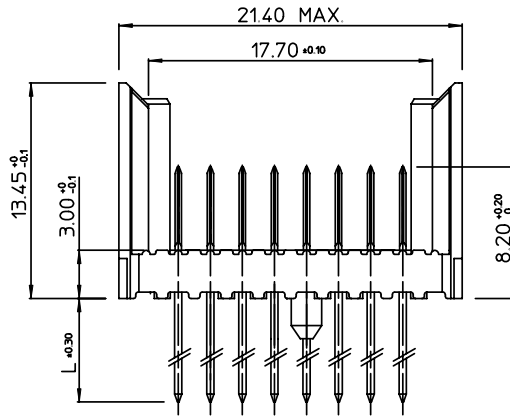
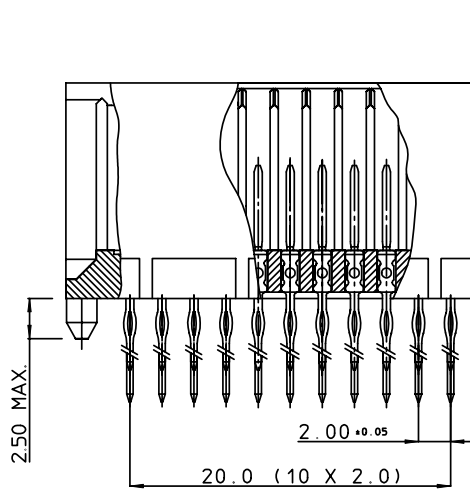


GEN. ST.	01	02	03	04	05	06	07	08	0D	50	60	70	80	90																	
INT. ST.	10	11	12	13	14	18	20	31	32	33	34	38	39	40	42	43	44	45	46	48	56	70	72	73	75	76	81	82	83	84	88

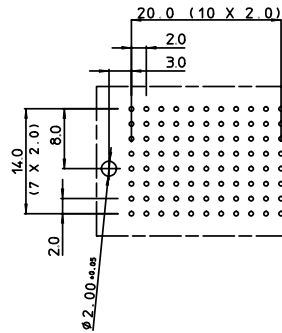
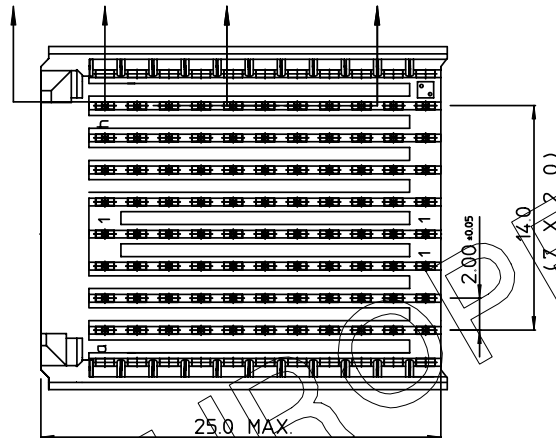
REV.	DATE	DESCRIPTION	BY	C'K'D'
A	2001-09-14	CONVERSION REVISION 01	KN	
B	2005-10-26	105-0205	ALEX B	BKP
C	2006-08-08	106-0144	ALEX B	BKP



PERFORMANCE CHARACTERISTICS

CURRENT RATING : 1,5 A AT 20°C ( FULLY LOADED )  
 CURRENT RATING : 1 A AT 70°C ( FULLY LOADED )  
 RATED VOLTAGE : 500 V AC (CONT / CONT )  
 OPERATING TEMPERATURE : -55°C TO 125°C  
 CONTACT RESISTANCE : 20 mΩ MAX  
 INSERTION FORCE : 0,60 N MAX / CONT  
 EXTRACTION FORCE : 0,15 N MIN / CONT  
 INSULATION RESISTANCE : 10<sup>4</sup> MΩ MIN

CAT. NR.	L ±0.3	DESCRIPTION
HM2P82PD8110----	3.7	SHORT PRESS-FIT
HM2P82PC8110----	4.5	SHORT PRESS-FIT
HM2P82PK8110----	13	REAR PLUG-UP: LEVEL 1
HM2P82PM8110----	14.5	REAR PLUG-UP: LEVEL 2
HM2P82PN8110----	16	REAR PLUG-UP: LEVEL 3
HM2P82PT8110----	13	WIRE WRAP



LAY-OUT  
P.C.B. - HOLE

NOTES

- \*HM2P82P#8110---\*  
 PERFORMANCE LEVEL INDICATOR (REFER DWG No. BS,C ,201844,003)  
 LEAD FREE INDICATOR : LF=LEAD FREE (DIGIT 15&16)
- THIS PRODUCT IS CSA APPROVED.  
 THIS PRODUCT IS UL RECOGNIZED.
- FOR RECOMMENDED PTH DIMENSIONS REFER DRAWING : BS,A ,201572,001
- THE PRODUCT (LF) MEETS EUROPEAN UNION DIRECTIVES AND OTHER COUNTRY REGULATIONS AS DESCRIBED IN GS-22-008

MALE SIGNAL STRAIGHT PRESS-FIT-TO-BOARD CONNECTOR				
EXTENSION MODULE (WIDE BODY)				
1DEC ±0,2 2DEC ±0,1 ANGLES ±1°	APPR.	DATE	SIGN.	MILLIPACS 2 / TYPE FR (8 ROW) / NO SHIELDING
	DRAFT	1998-10-20	M.Fret	CAT. No. HM2P82P#8110----
	CHECKED			
WE RESERVE THE RIGHT TO CHANGE DIMENSIONS OR REQUIREMENTS WITHOUT PRIOR NOTICE.	PROD. MGR.			www.fciconnect.com
	PR. ENG. MGR.			
ALL DIMENSIONS IN MM	PR. MGT. MGR.			SCALE 3/1
		REFERENCES		
		BS,C ,202259,005 C		

THIS IS OUR EXCLUSIVE PROPERTY. IT IS NOT TO BE COPIED, REPRINTED OR DISCLOSED TO A THIRD PARTY, NOR USED FOR MANUFACTURING WITHOUT OUR WRITTEN CONSENT, AND HAS TO BE RETURNED TO US IN CASE OF NO USAGE

DIT IS ONZE EIGENDOM EN MAG NIET NAAGEMAKT, HERDRUKT, OVERGEMAKT AAN DERDEN, NOCH VOOR FABRIKATIE GEBRUIKT WORDEN, ZONDER ONZE SCHRIFTELIJKE TOELATING. BIJ NIET GEBRUIK IS TERUGZENDING VERPLICHT.