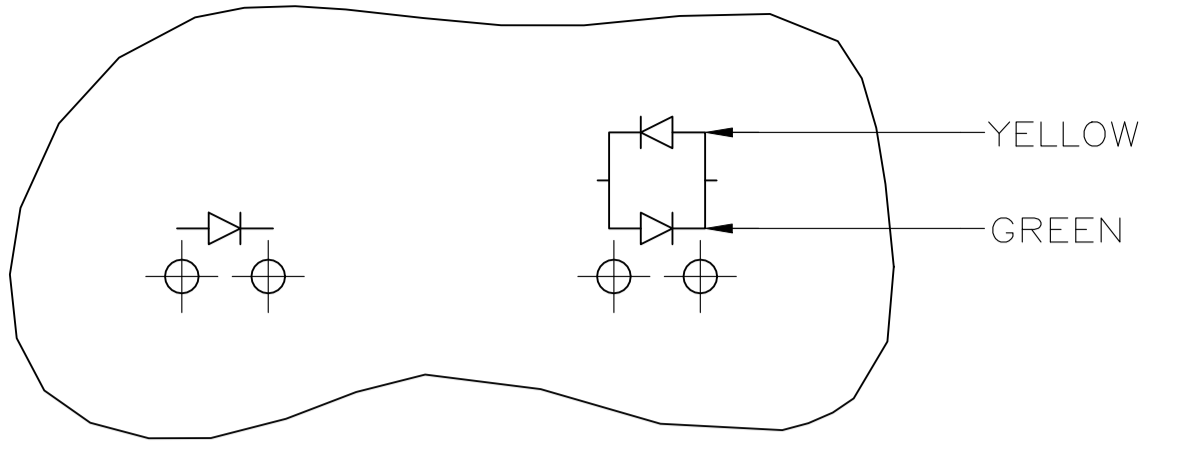
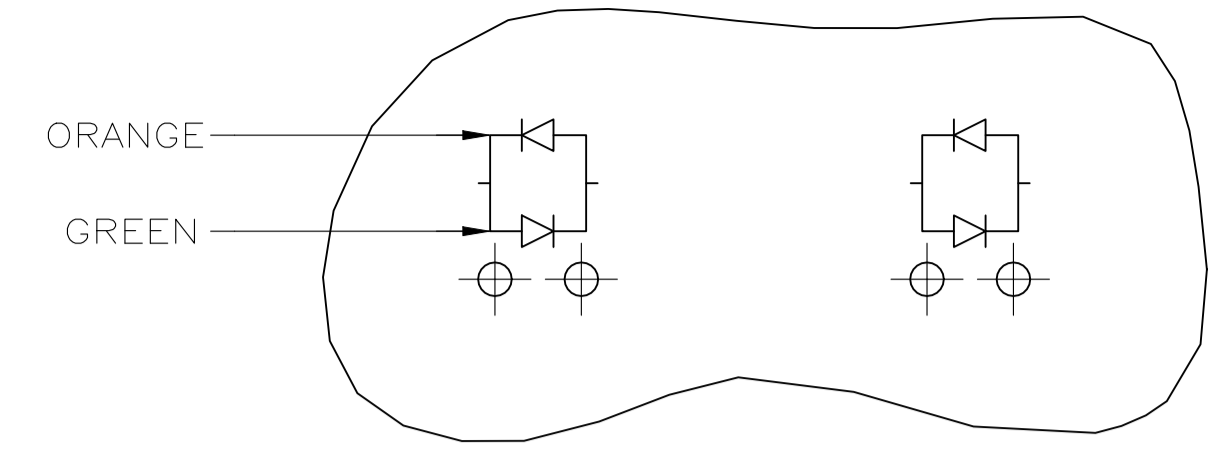


REVISIONS				
REV	DATE	BY	APP'D	DESCRIPTION
D1	23MAR2021	AK	SZ	REVISED PER ECO-21-003828

OBSOLETE

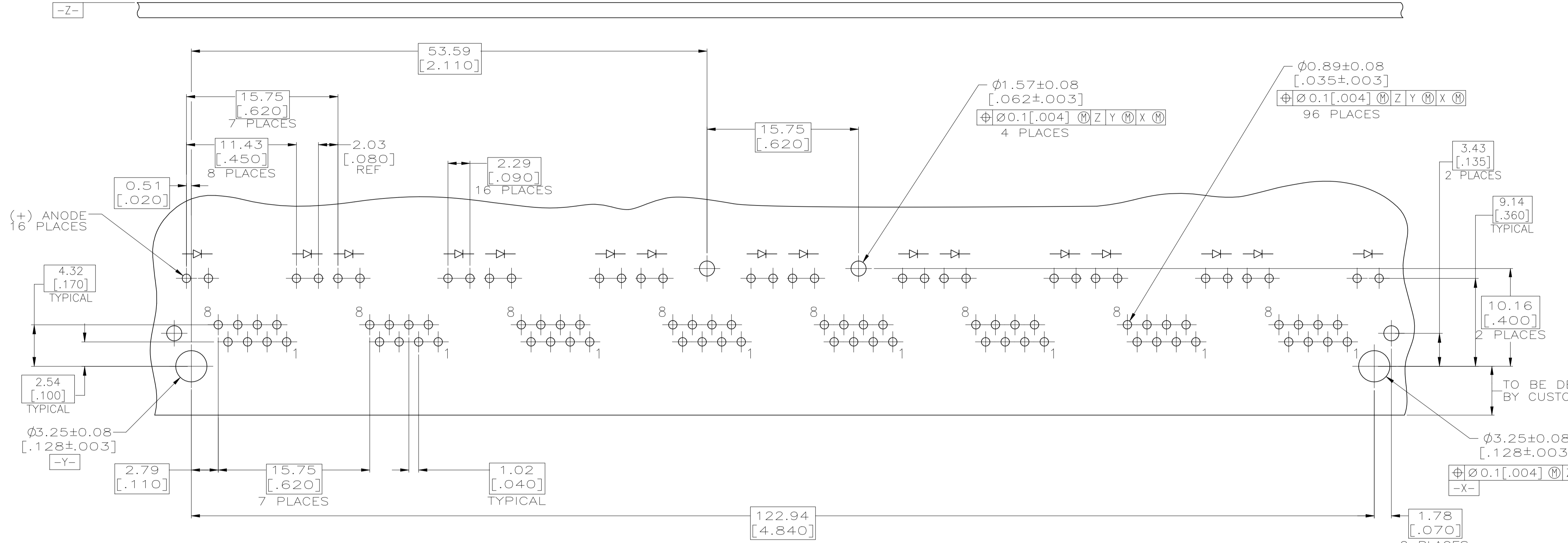


LED CURRENT DIAGRAM
5406967-8 ONLY

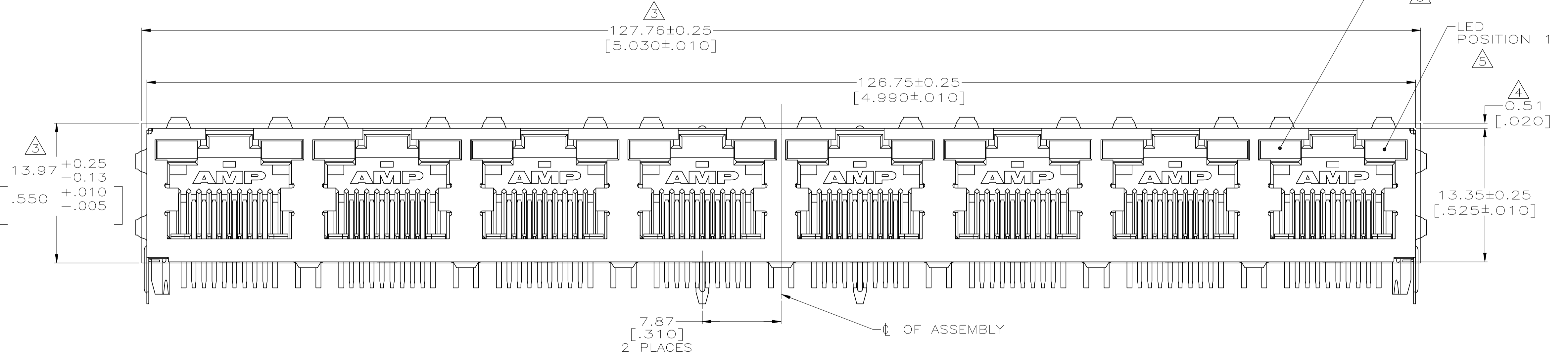
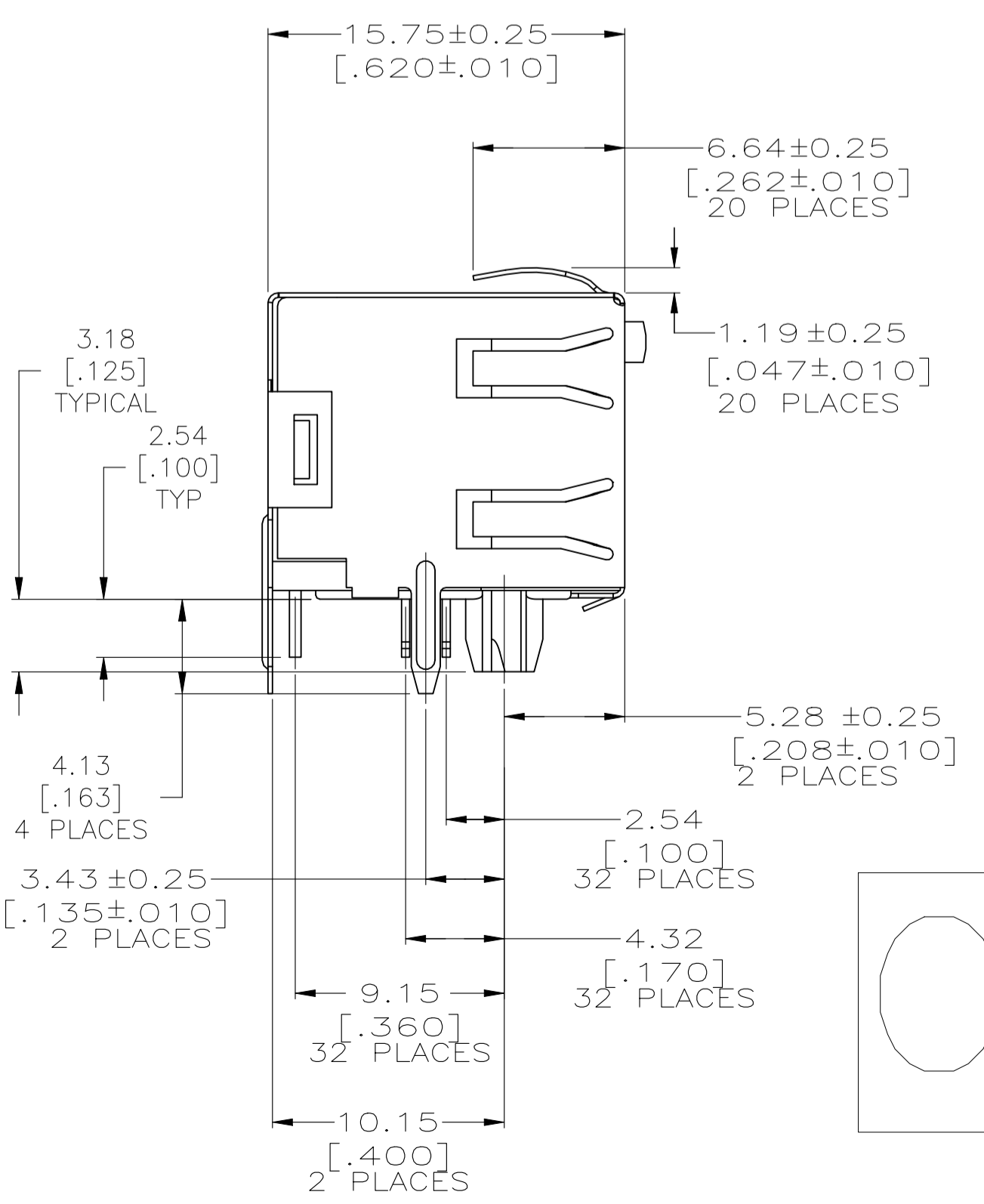


LED CURRENT DIAGRAM
5406967-7 ONLY

- △ MATERIAL:
HOUSING - HIGH TEMPERATURE THERMOPLASTIC, BLACK, UL94V-0.
TERMINALS - 0.36[.014] THICK PHOS BRONZE PLATED WITH 1.27μm[.000050] MIN THICK HARD GOLD IN LOCALIZED AREA AND 3.81μm [.000150] MIN THICK MATTE TIN IN SOLDER AREA OVER 1.27μm[.000050] MIN THICK NICKEL UNDERPLATE.
SHIELD - 0.196[.0077] THICK COPPER ALLOY PREPLATED WITH 1.27μm[.000050] MINIMUM SATIN NICKEL WITH 2.03μm[.000080] MINIMUM HOT TIN DIP ON PCB GROUND TABS.
LIGHT EMITTING DIODE (LED) - DIFFUSED EPOXY LENS, 0.51 x 0.51[.020 x .020] CARBON STEEL WIREFRAME LEADS PREPLATED WITH 8.89μm [.0003500] THICK Sn/Cu OVER 2.03μm[.000080] THICK Ag OVER 1.02μm[.000040] THICK Cu 3.56μm[.000140] THICK Ni OVER 1.02μm[.000040] Cu UNDERPLATE.
- 2. JACK CAVITY CONFORMS TO FCC RULES AND REGULATIONS PART 68, SUBPART F.
- △ SUGGESTED PANEL OPENING DIMENSIONS.
- △ SUGGESTED CLEARANCE BETWEEN TOP OF CONNECTOR AND TOP PANEL OPENING.
- △ SEE TABLE FOR COLOR OF LEDS.
- 6. THIS MODULAR JACK WITH INTEGRATED LED IS NOT IR REFLOW SOLDERING PROCESS COMPATIBLE.
- △ OBSOLETE PARTS: OBSOLETE CIS STREAMLINING PER D.RENAUD/D.SINISI



SUGGESTED PRINTED CIRCUIT BOARD LAYOUT
COMPONENT SIDE



OBSOLETE

OBSOLETE	GREEN	GREEN/YELLOW	5406967-8
OBSOLETE	ORANGE/GREEN	ORANGE/GREEN	5406967-7
△	YELLOW	YELLOW	5406967-6
OBSOLETE	GREEN	GREEN	5406967-5
OBSOLETE	GREEN	YELLOW	5406967-4
OBSOLETE	YELLOW	-	5406967-3
△	-	GREEN	5406967-2
	YELLOW	GREEN	5406967-1
	POSITION 2	POSITION 1	
	INDICATOR COLOR FOR EACH HOUSING		PART NUMBER

THIS DRAWING IS A CONTROLLED DOCUMENT.
DIMENSIONS: mm [NCHES]
TOLERANCES UNLESS OTHERWISE SPECIFIED:
0. PLC ± -
1. PLC ± 0.25[.01]
2. PLC ± 0.13[.005]
3. PLC ± -
4. PLC ± -
ANGLES ± -
FINISH SEE NOTE 1

DIN	B. LATTUCA	22SEPT05	TE Connectivity
CHK	J. WESTMAN	22SEPT05	
APVD	S. FLICKINGER	22SEPT05	NAME INVERTED MODULAR JACK ASSEMBLY, 1X8, SHIELDED, BOTTOM TAB, PANEL GROUND, LED
PRODUCT SPEC	108-1163-4		
APPLICATION SPEC	114-2154		SIZE A1
WEIGHT	-		
CUSTOMER DRAWING	SCALE 4:1	SHEET 1 of 1	REV D1