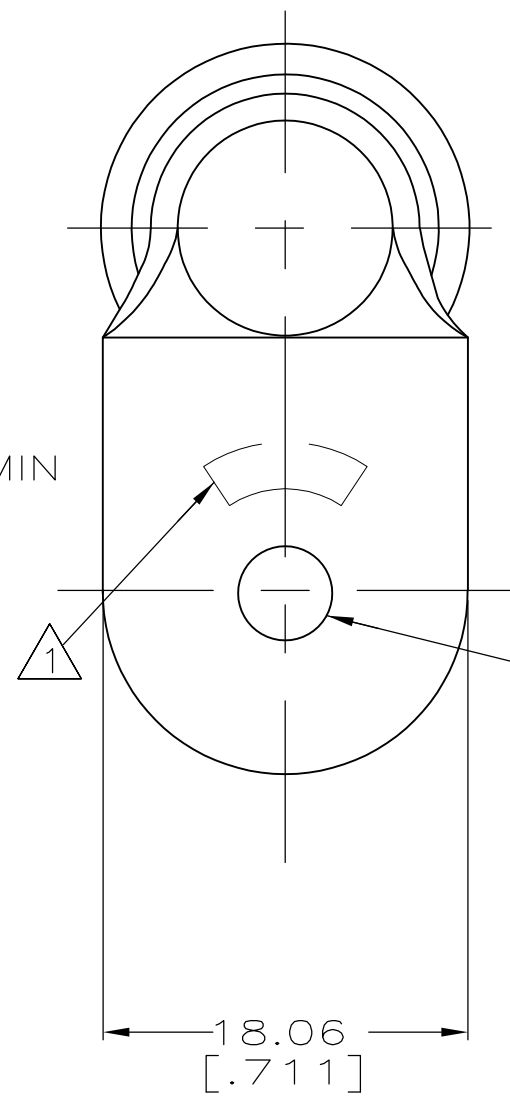
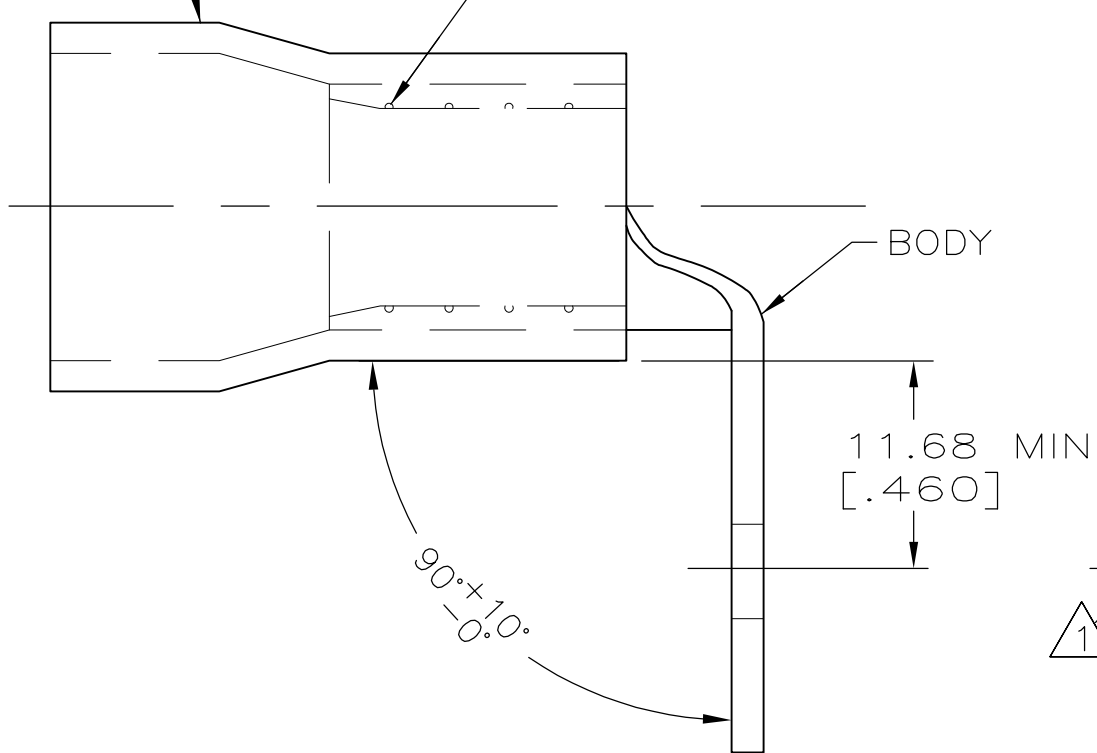


THIS DRAWING IS UNPUBLISHED. RELEASED FOR PUBLICATION  
 © COPYRIGHT BY TYCO ELECTRONICS CORPORATION. ALL INTERNATIONAL RIGHTS RESERVED.

LOC	DIST	REVISIONS					
G	14	P	LTR	DESCRIPTION	DATE	DWN	APVD
		D2		REVISED PER ECO-11-002228	11FEB11	HMR	DR

SLEEVE DIMPLED SURFACE



<b>AMP</b> WIRE RANGE	<b>RU</b> FILE E13288	<b>SR</b> LR7189 Certified
2 AWG STRANDED	2 AWG STRANDED	2 AWG STRANDED

- 1 STAMP AMP 2\* LOCATE APPROX AS SHOWN
- 2 TONGUE MATERIAL THK 1.45±0.08 [.057±.003]
- 3 WIRE INSULATION DIA 14.22 [.560] MAX

5.00±0.08 [.197±.003] DIA  
(FOR #10 STUD)

50	LOOSE PIECE	184150-1
QTY	PACKAGE TYPE	PART NO

AMP INCORPORATED CUSTOMER SERVICE SYSTEM		MAX RECOMMENDED OPERATING TEMPERATURE: 105° C	THIS DRAWING IS A CONTROLLED DOCUMENT.		DWN L OLMEDA 05SEP95	Tyco Electronics Corporation Harrisburg, PA 17105-3608	
FOR ADDITIONAL PRODUCT INFORMATION OR COPIES OF DRAWINGS AND TECHNICAL DOCUMENTS	PRODUCT INFORMATION CENTER 1-800-522-6752	VOLTAGE RATING: 600V MAX (1000V FIXTURE OR SIGN)	DIMENSIONS: mm [INCHES]	TOLERANCES UNLESS OTHERWISE SPECIFIED:	CHK M ELLIS 05SEP95	NAME TERMINAL, RING TONGUE-BENT 90 DEG PLASTI-GRIP WIRE SIZE: 2 AWG	
FOR APPLICATION TOOLING INFORMATION	TOOLING ASSISTANCE CENTER 1-800-722-1111	CIRCULAR MIL AREA: 26.65mm <sup>2</sup> - 42.41mm <sup>2</sup> [52,600 - 83,700]		0 PLC ± - 1 PLC ± - 2 PLC ± 0.20 [.008] 3 PLC ± - 4 PLC ± - ANGLES ± -	APVD G NGO 05SEP95	PRODUCT SPEC	SIZE A3
FOR ORDER ENTRY	1-800-526-5142		MATERIAL BODY, CU, PER ASTM B152 SLEEVE, PVC, COLOR RED	FINISH TIN PLATE PER ASTM B545	APPLICATION SPEC 114-2161	WEIGHT -	CAGE CODE 00779
					DRAWING NO G-184150		RESTRICTED TO -
					CUSTOMER DRAWING		SCALE 6:1
					SHEET 1 OF 1		REV D2