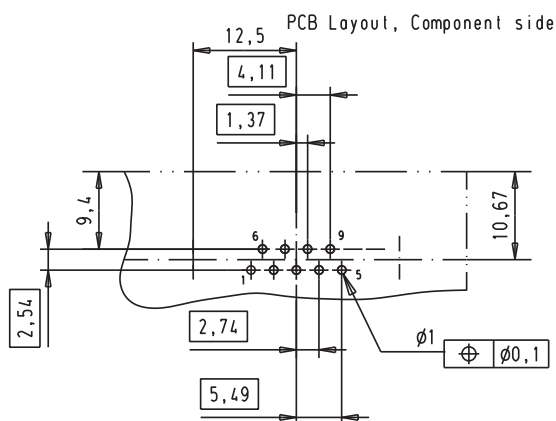
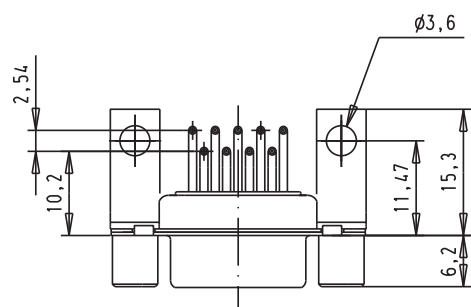
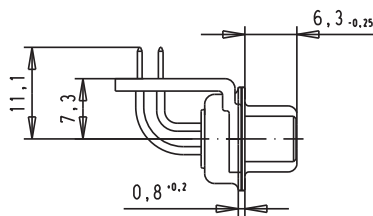
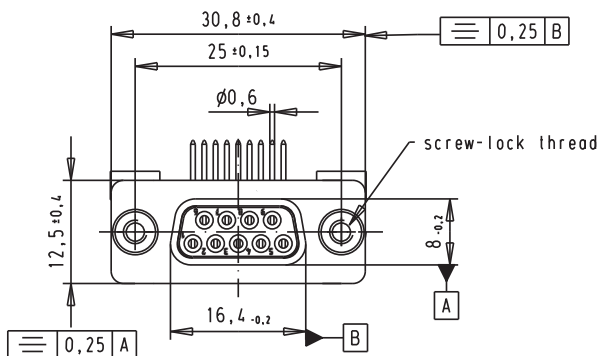



5 4 3 2 1

SPECIFICATION

| | |
|-----------------------|-------------|
| Mating Cycles | 500 |
| Filter type | C |
| Capacitance | 470pF ± 20% |
| Working Voltage | 100v |
| Current Rating | 7.5A |
| Insulation Resistance | >1GΩ |

| FREQUENCY (MHz) | ATTENUATION (dB) |
|-----------------|------------------|
| 5 | - |
| 10 | 1dB |
| 50 | 10dB |
| 100 | 15dB |
| 500 | 35dB |
| 1000 | 32dB |



| | | | | | | | | | | |
|-------------|-------------------|--|-------|----------|---------|-------------------------------|--|---|-----------------------------|----|
| | | | | | Det. | Name |  <p>All Dim. in mm Orig. Size DIN A 4</p> | D-Sub, female, angled, 9 Poles, solder pins, tin plated shell with brackets, screw-locks and holes | Mo?Mstab/ Scale 1.5:1 | |
| | | | | | Detail. | 8-JUL-02 | | | | CV |
| | | | | | Insp. | | | | | |
| | | | | | Stand. | | | | | |
| 09641147229 | M3 | | 33231 | 07/10/05 | JMDR | HARTING EURL F-95972 Paris | | | TB 0964114722x | |
| 09641147228 | UNC 4-40 | | 31058 | 8-JUL-02 | CV | | | | | |
| Part number | screw-lock thread | | Mod. | Det. | Name | Sub. | | | Blatt/ Page 4/4 | |