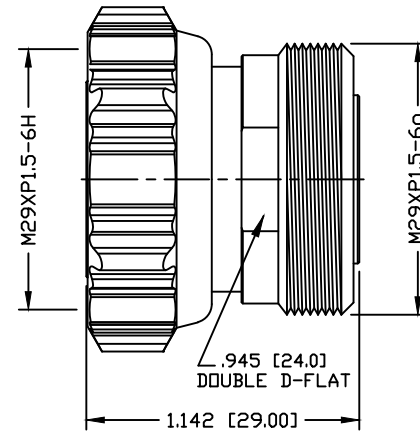
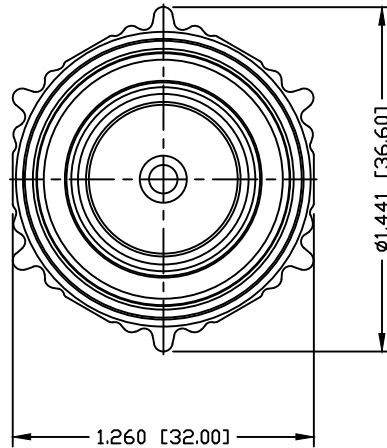


PART NO.

P2RFD-1660-TPS

REV	DESCRIPTION	DWN	DATE	APPROVED
-	ENGINEERING RELEASE	CZS	05/09/16	JDMc

**SPECIFICATIONS:**

IMPEDANCE: 50 OHMS
 FREQUENCY RANGE: DC-7.5 GHz
 PEAK POWER: 13.2 Kw max.
 AVERAGE POWER: 3.0 Kw max.
 VSWR MAX: <1.1:1 @ DC-7.5 GHz
 INSERTION LOSS: -.01 dB x $\sqrt{\text{FREQUENCY GHz}}$
 3rd ORDER IM: <-160 dBc @ 1900 MHz
 TEMPERATURE RANGE: -55°C TO 165°C

5	SHELL	1	BRASS	WHITE BRONZE
4	GASKET	1	SI RUBBER	----
3	PIN	1	BRASS	SILVER
2	INSULATOR	1	PTFE	----
1	BODY	1	BRASS	SILVER
#	DESCRIPTION	QTY	MATERIAL	FINISH

CUSTOMER
OUTLINE DRAWINGALL DIMENSIONS
ARE REFERENCE ONLYUNLESS OTHERWISE SPECIFIED:
DIMENSIONS ARE IN INCHES
AND [MILLIMETERS]

DRAWN	C. ZUNIGA	05/09/16
CHECKED		
ORJ DRAWN	C. ZUNIGA	05/09/16

**RoHS
COMPLIANT**

PROPRIETARY AND CONFIDENTIAL
 THIS DRAWING CONTAINS
 INFORMATION PROPRIETARY TO
 RF INDUSTRIES. ANY
 UNAUTHORIZED USE OF THIS
 DRAWING IS EXPRESSLY
 PROHIBITED WITHOUT WRITTEN
 PERMISSION FROM RF
 INDUSTRIES. ANY VIOLATION IS
 PUNISHABLE UNDER U.S.
 COPYRIGHT LAWS.

RFconnectors

7610 MIRAMAR RD.
 SAN DIEGO, CA 92126
 (858) 549-6340
 DIVISION OF RF INDUSTRIES, LTD. (858) 549-6345 FAX

7/16 DIN MALE TO FEMALE

TEST PORT ADAPTER

SIZE	CABLE GROUP	DWG NO.	REV
A	N/A	P2RFD-1660-TPS	—
SCALE:	ENGINEERING ID:	SHEET 1 OF 1	
NTS	001560		