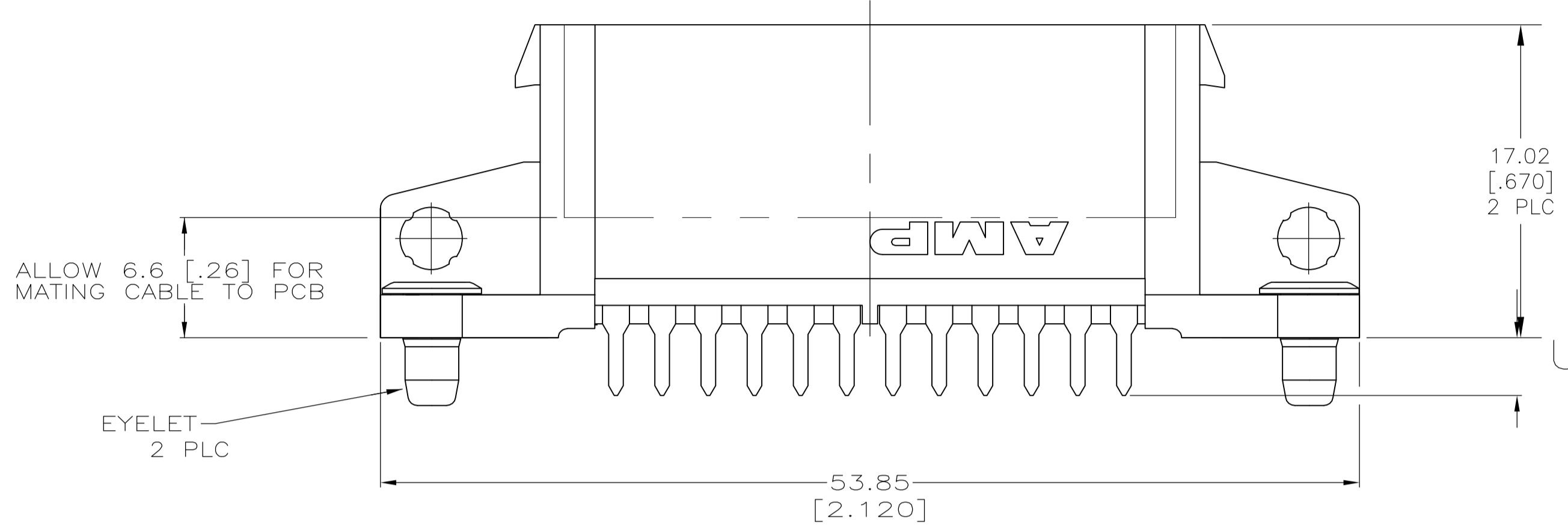
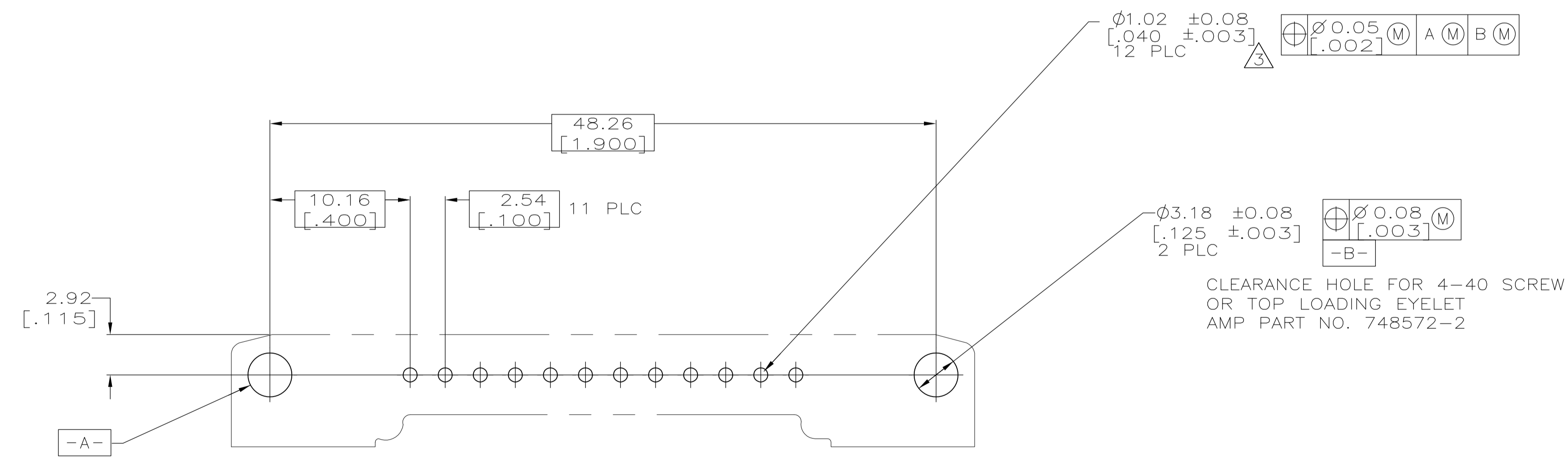
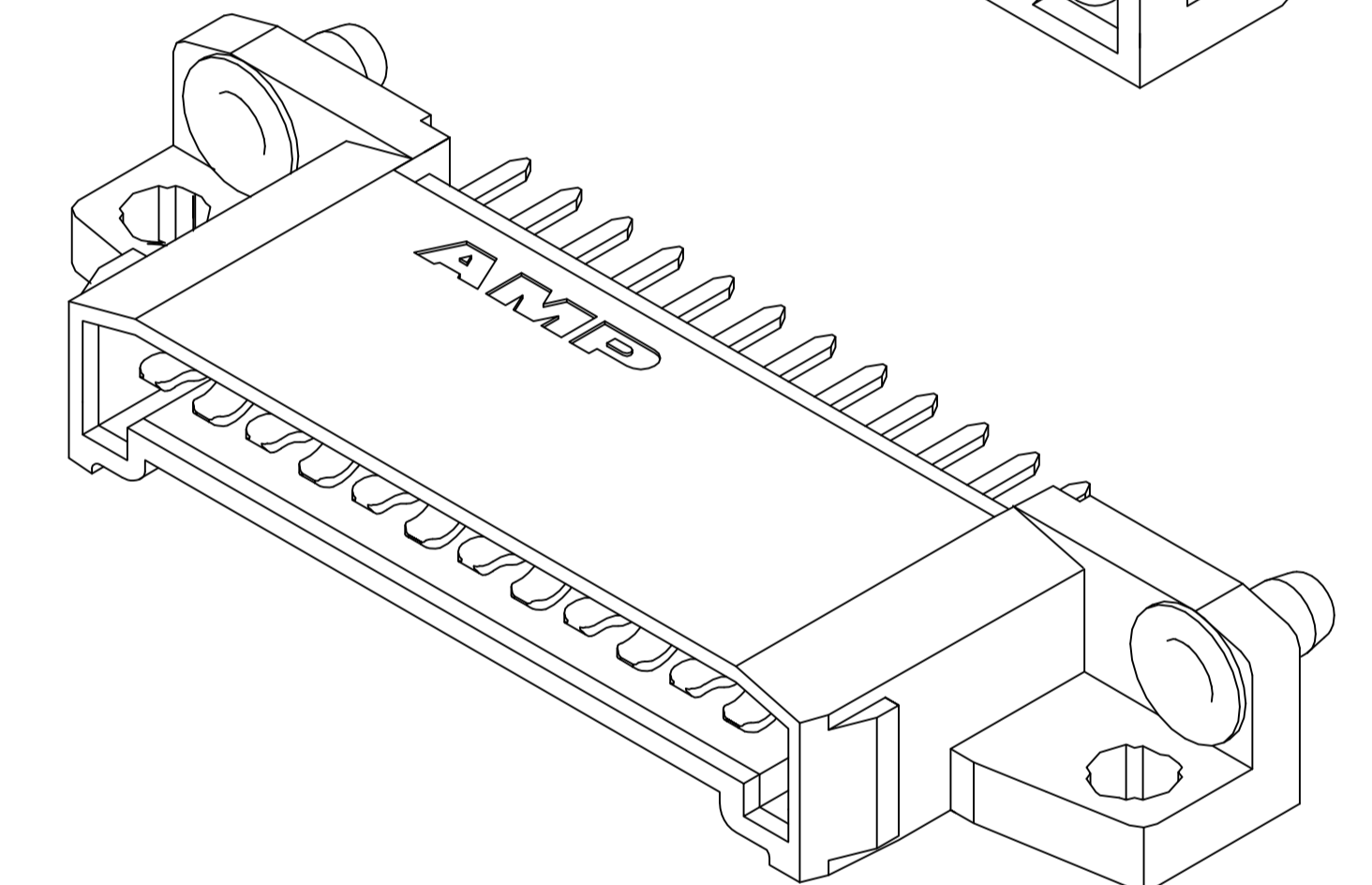
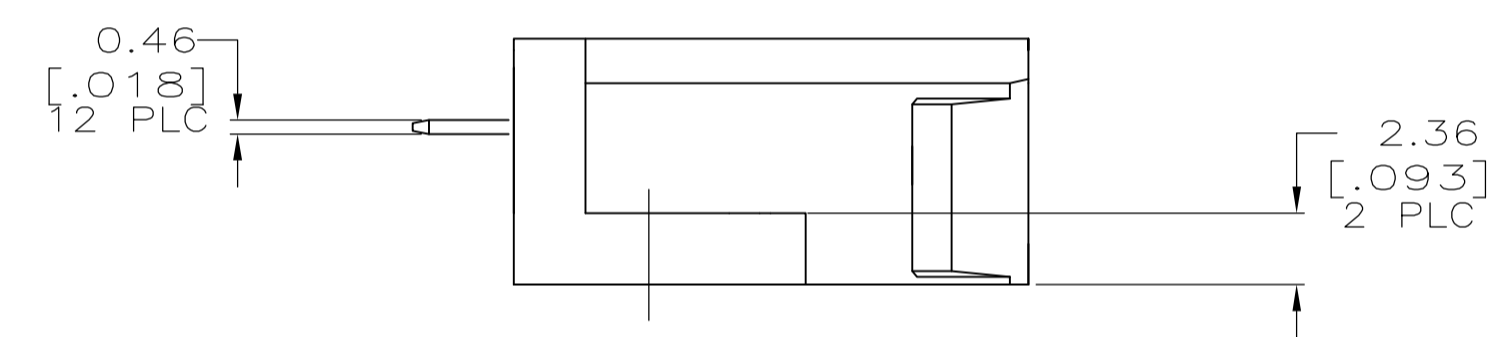
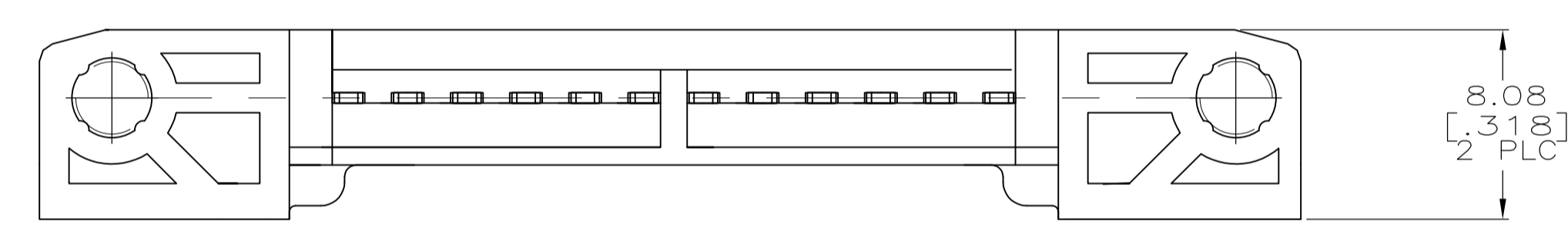
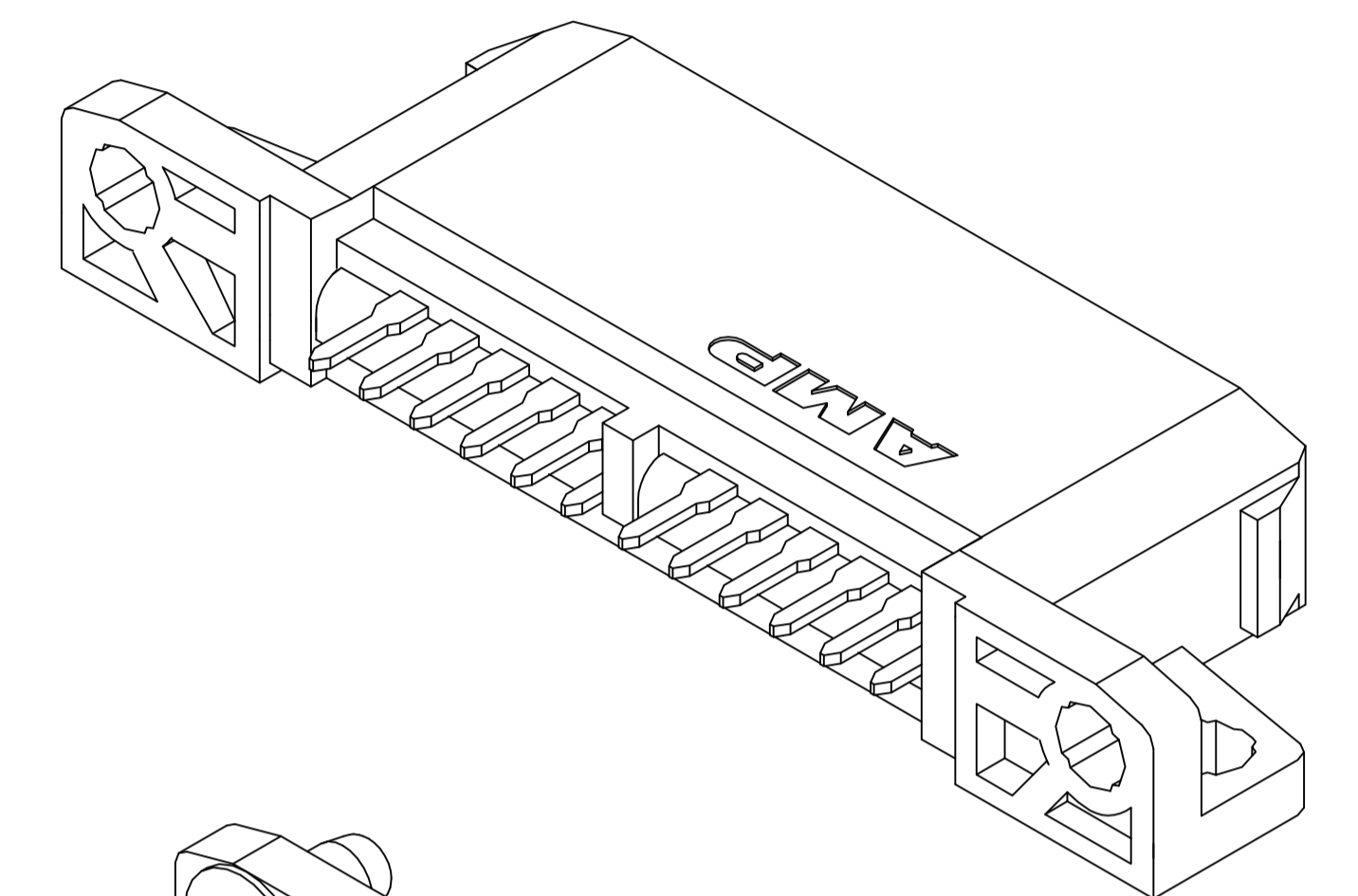


AMPOWER is a registered trademark of AMP Incorporated.

- 1 HOUSING MAT'L: POLYESTER
- 2 HOUSING MAT'L: POLYESTER HIGH TEMP
- 3 HOLE DIAMETER AFTER PLATING.
- 4 SOLDER TAIL: TIN-LEAD OVER NICKEL
- 5 SOLDER TAIL: SILVER OVER NICKEL
- 6 PRODUCT AND PROCESSING MUST MEET REQUIREMENTS OF TYCO ELECTRONICS STANDARD 230-702.



U MINIMUM 12 PL



RECOMMENDED PC BOARD LAYOUT
 2.54 [0.100] CENTERLINES

OBSOLETE	WITH EYELETS	1	5.72 [0.225]	1.57 [0.062] TO 4.75 [0.187]	2-765206-2
OBSOLETE	WITH EYELETS	2	4.19 [0.165]	1.57 [0.062] TO 3.17 [0.125]	2-765206-1
	WITH EYELETS	2/6	3.15 [0.124]	1.57 [0.062] TO 2.36 [0.093]	2-765206-0
	W/O EYELETS	2/6	5.72 [0.225]	1.57 [0.062] TO 4.75 [0.187]	1-765206-9
	W/O EYELETS	2/6	4.19 [0.165]	1.57 [0.062] TO 3.17 [0.125]	1-765206-8
	W/O EYELETS	2/6	3.15 [0.124]	1.57 [0.062] TO 2.36 [0.093]	1-765206-7
OBSOLETE			5.72 [0.225]	4.75 [0.187]	1-765206-6
OBSOLETE		2	7.49 [0.295]	6.35 [0.250]	1-765206-5
OBSOLETE		2	4.19 [0.165]	3.17 [0.125]	1-765206-4
	WITH EYELETS	4	3.15 [0.124]	1.57 [0.062] TO 2.36 [0.093]	1-765206-3
OBSOLETE		1	5.72 [0.225]	4.75 [0.187]	1-765206-2
OBSOLETE		1	7.49 [0.295]	6.35 [0.250]	1-765206-1
OBSOLETE		1	4.19 [0.165]	3.17 [0.125]	1-765206-0
OBSOLETE		1	5.72 [0.225]	4.75 [0.187]	765206-9
OBSOLETE		1	3.15 [0.124]	1.57 [0.062] TO 2.36 [0.093]	765206-8
OBSOLETE		1	7.49 [0.295]	6.35 [0.250]	765206-7
OBSOLETE		1	4.19 [0.165]	3.17 [0.125]	765206-6
OBSOLETE	W/O EYELETS	1	3.15 [0.124]	1.57 [0.062] TO 2.36 [0.093]	765206-5
OBSOLETE		1	5.72 [0.225]	4.75 [0.187]	765206-4
OBSOLETE		1	7.49 [0.295]	6.35 [0.250]	765206-3
OBSOLETE		1	4.19 [0.165]	3.17 [0.125]	765206-2
		1	3.15 [0.124]	1.57 [0.062] TO 2.36 [0.093]	765206-1
			MATERIAL U BOARD THICKNESS		

THIS DRAWING IS A CONTROLLED DOCUMENT.

DIMENSIONS: INCHES	TOLERANCES UNLESS OTHERWISE SPECIFIED:	DIN J.K. DALY 12-08-89	TE Connectivity
0 PLC ± -	1 PLC ± -	CIK CMS 12-14-89	
2 PLC ± 0.25 [0.1]	3 PLC ± 0.13 [0.005]	APVD -	NAME
4 PLC ± -	ANGLES ± -		PRODUCT SPEC 108-1308
MATERIAL CONTACT, COPPER ALLOY	FINISH SILVER ON MATING END, ALL OVER NICKEL.		APPLICATION SPEC 114-49005
		WEIGHT -	SIZE A1
		CUSTOMER DRAWING	SCALE 4:1 SHEET 1 OF 1 REV S