

THIS DRAWING IS UNPUBLISHED. RELEASED FOR PUBLICATION 20
 © COPYRIGHT 20 BY TYCO ELECTRONICS CORPORATION. ALL RIGHTS RESERVED.

LOC	DIST	REVISIONS			
P	LTR	DESCRIPTION	DATE	DWN	APVD
ES	00				
	A	ECR-09-014979	02JUL2009	AL	SY
	B	ECO-11-005032	11MAR2011	JY	CW

HEAT SINK CLIP
 MAT'L: COPPER ALLOY
 FINISH: TIN

INTERMEDIATE REAR EMI GASKET
 MAT'L: COPPER ALLOY
 FINISH: TIN

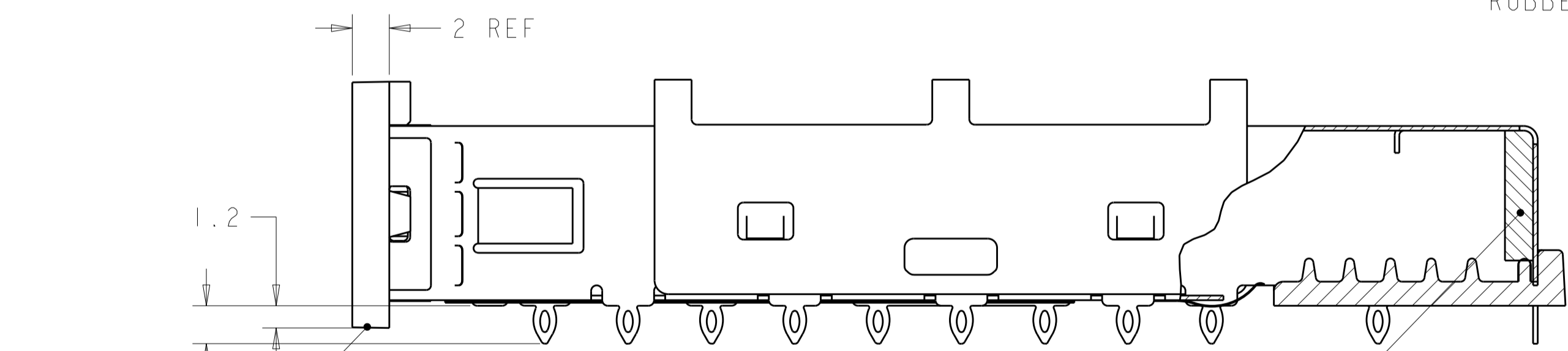
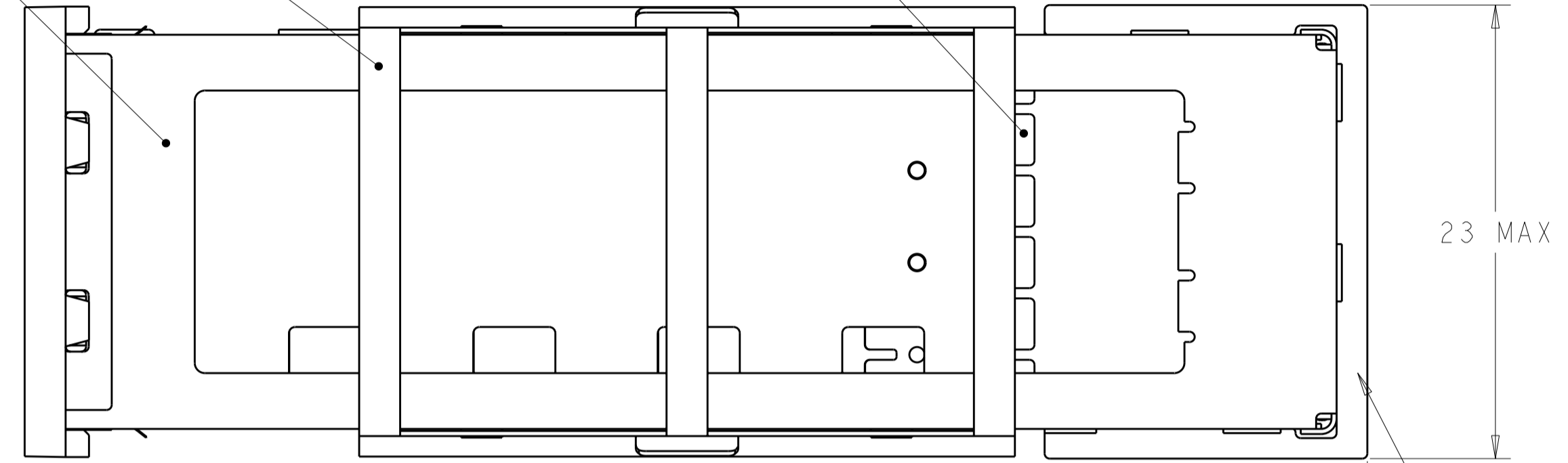
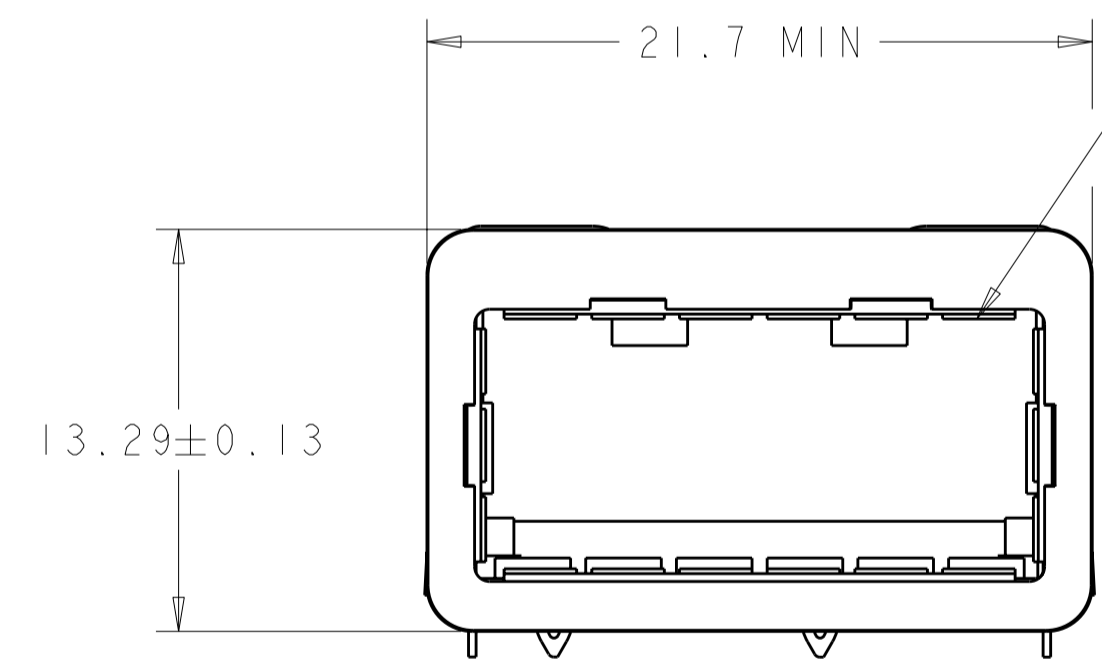
XFP CAGE
 MAT'L: COPPER ALLOY
 FINISH: TIN

FRONT EMI GASKET
 MAT'L: COPPER ALLOY
 FINISH: TIN

ELASTOMERIC GASKET
 MAT'L: CONDUCTIVE
 RUBBER

XFP CAGE REAR EMI GASKET
 MAT'L: CONDUCTIVE FOAM

FRONT FLANGE
 MAT'L: ZINC ALLOY
 FINISH: TIN
 OVER NICKEL AND
 COPPER FLASH



<small>THIS DRAWING IS A CONTROLLED DOCUMENT FOR TYCO ELECTRONICS CORPORATION IT IS SUBJECT TO CHANGE AND THE CONTROLLING ENGINEERING ORGANIZATION SHOULD BE CONTACTED FOR THE LATEST REVISION.</small>		DWN ADAMS LV 29JUN2009 CHK MARTIN LI 29JUN2009 APVD STEVEN YAO 29JUN2009	Tyco Electronics Shanghai China
DIMENSIONS: mm		PRODUCT SPEC 108-2127 APPLICATION SPEC 114-13096	NAME ASSEMBLY, XFP CAGE WITH INSULATING TAPE AND CLIP
TOLERANCES UNLESS OTHERWISE SPECIFIED: 0 PLC ±- 1 PLC ±0.1 2 PLC ±0.05 3 PLC ±- 4 PLC ±- ANGLES ±- FINISH ±-		WEIGHT -	SIZE A200779
MATERIAL -		CUSTOMER DRAWING	DRAWING NO C-1932093 RESTRICTED TO -
SCALE 1:1			SHEET 1 OF 4 REV B

4

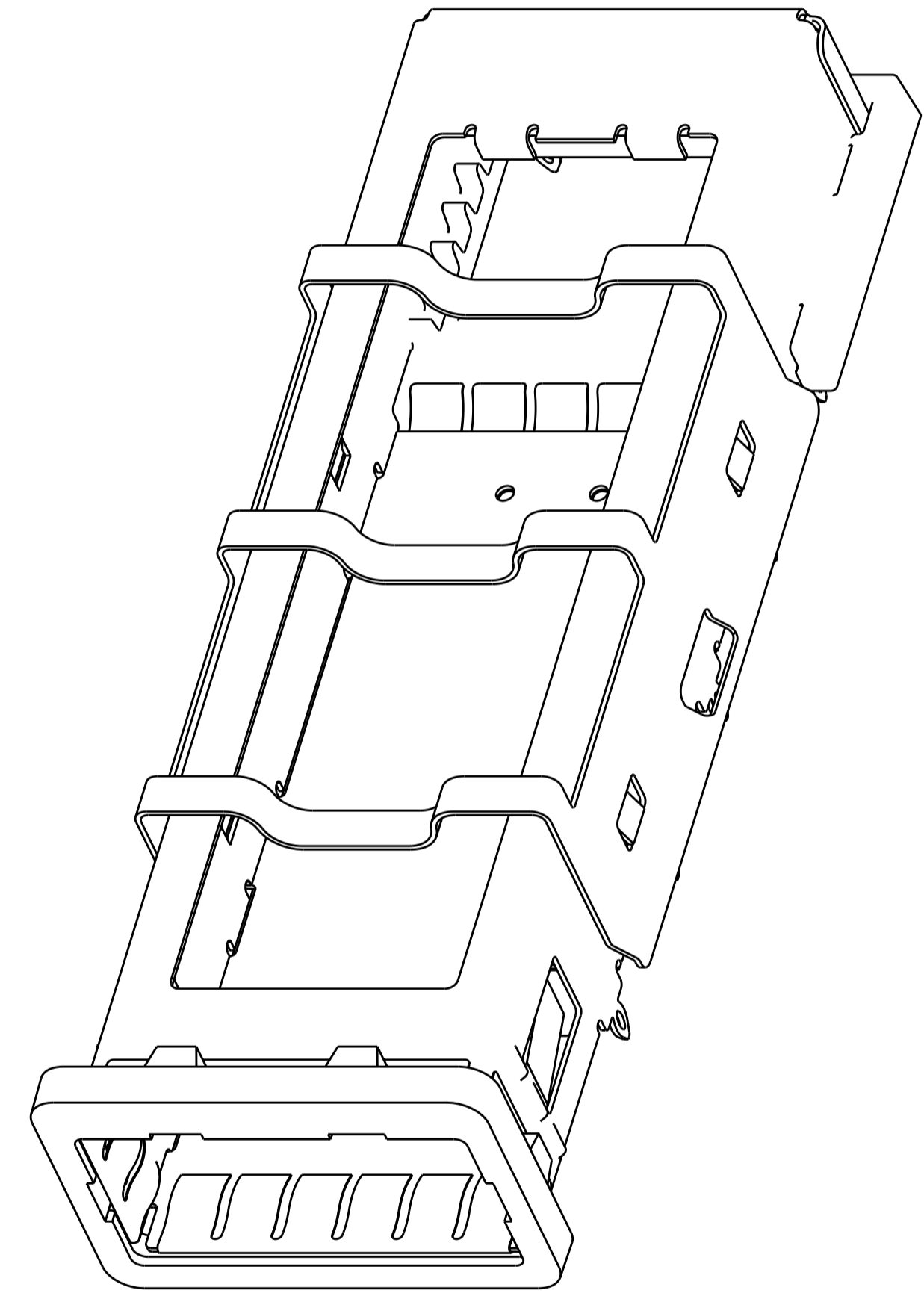
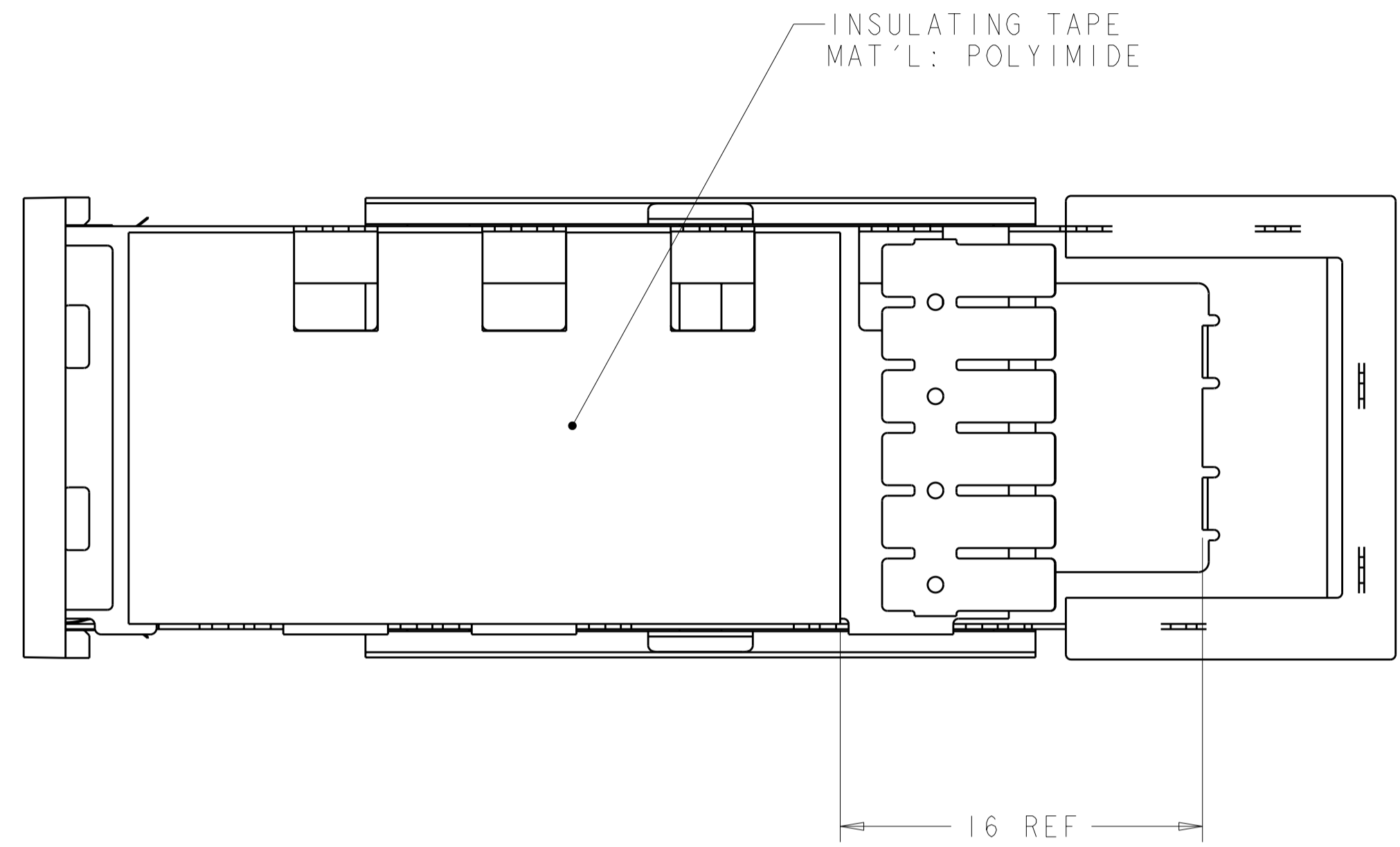
3

2

1

THIS DRAWING IS UNPUBLISHED. RELEASED FOR PUBLICATION 20
 © COPYRIGHT 20 BY TYCO ELECTRONICS CORPORATION. ALL RIGHTS RESERVED.

LOC	DIST	REVISIONS				
P	LTR	DESCRIPTION	DATE	DWN	APVD	
ES	00	-	SEE SHEET 1	-	-	

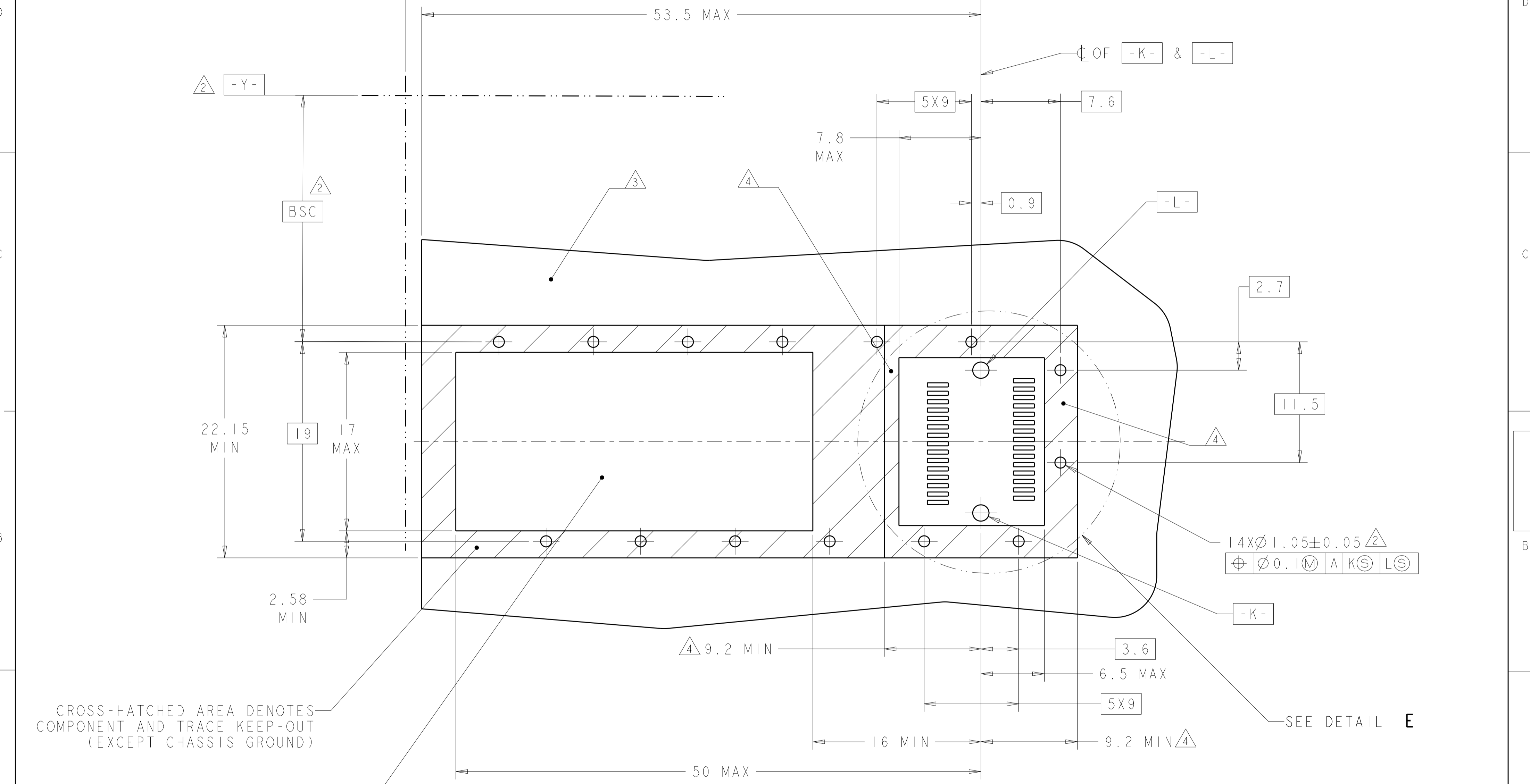


- ① MATES WITH XFP-MSA COMPLIANT TRANSCEIVERS.
- ② DATUM -X- AND -Y- ESTABLISHED BY CUSTOMER.
- ③ DATUM -X- IS TOP SURFACE OF HOST BOARD.
- ④ INDICATED SURFACES TO BE CONDUCTIVE AND CONNECTED TO CHASSIS GROUND.

<small>THIS DRAWING IS A CONTROLLED DOCUMENT FOR TYCO ELECTRONICS CORPORATION IT IS SUBJECT TO CHANGE AND THE CONTROLLING ENGINEERING ORGANIZATION SHOULD BE CONTACTED FOR THE LATEST REVISION.</small>		DWN 29 JUN 2009 ADAMS LV CHK 29 JUN 2009 MARTIN LI APVD 29 JUN 2009 STEVEN YAO	Tyco Electronics Tyco Electronics Shanghai China
DIMENSIONS: mm 	TOLERANCES UNLESS OTHERWISE SPECIFIED: 0 PLC ± 1 PLC ±0.1 2 PLC ±0.05 3 PLC ± 4 PLC ± ANGLES ± FINISH	PRODUCT SPEC 108-2127 APPLICATION SPEC 114-13096 WEIGHT - CUSTOMER DRAWING	NAME ASSEMBLY, XFP CAGE WITH INSULATING TAPE AND CLIP SIZE CAGE CODE DRAWING NO RESTRICTED TO A200779 C-1932093 - SCALE 1:1 SHEET 2 OF 4 REV B

THIS DRAWING IS UNPUBLISHED. RELEASED FOR PUBLICATION 20
 © COPYRIGHT 20 BY TYCO ELECTRONICS CORPORATION. ALL RIGHTS RESERVED.

LOC	DIST	REVISIONS			
P	LTR	DESCRIPTION	DATE	DWN	APVD
ES	00	SEE SHEET 1			



CROSS-HATCHED AREA DENOTES COMPONENT AND TRACE KEEP-OUT (EXCEPT CHASSIS GROUND)

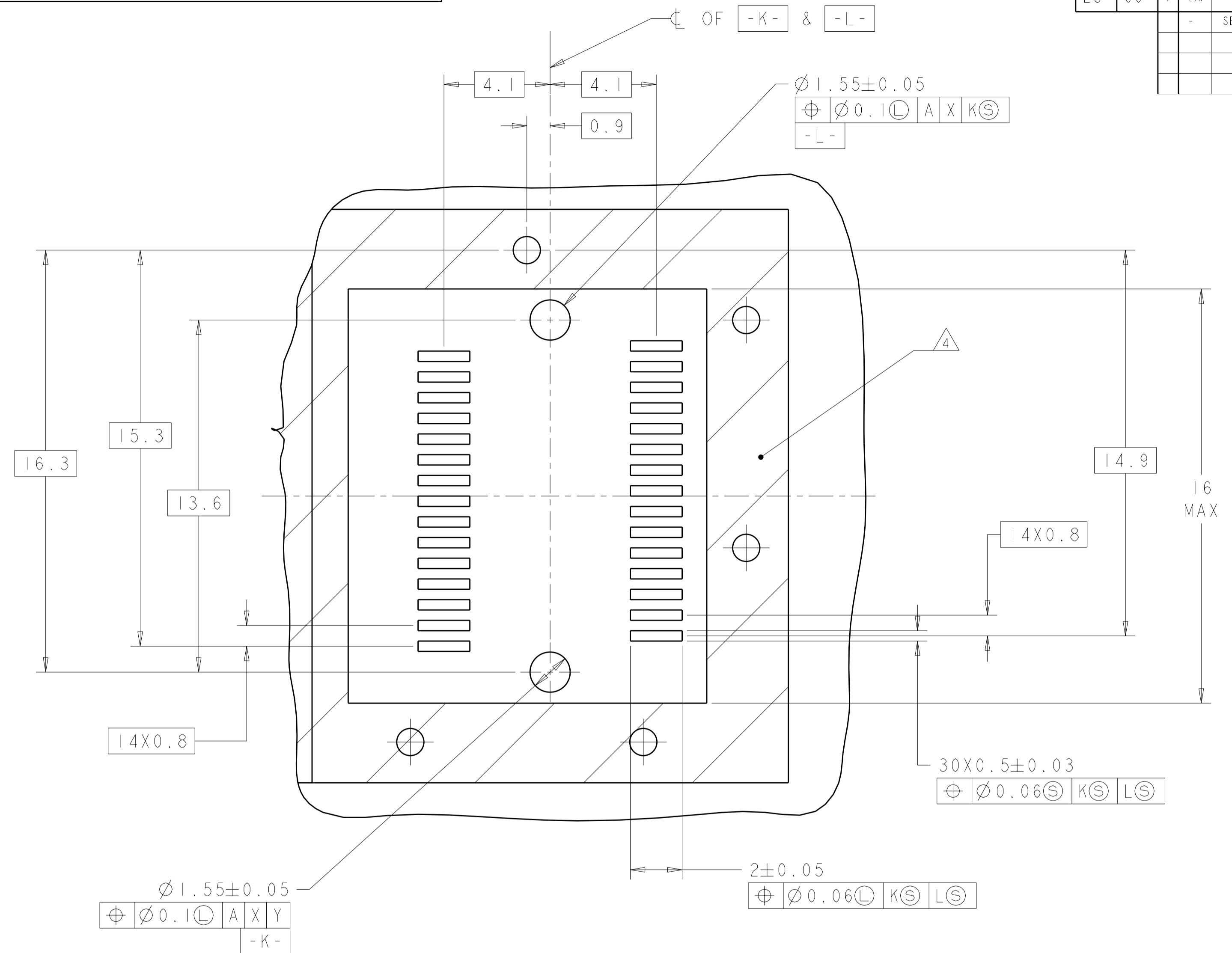
THIS AREA DENOTES COMPONENT KEEP-OUT (TRACES & VIAS ALLOWED)

DETAILED HOST BOARD MECHANICAL LAYOUT

<small>THIS DRAWING IS A CONTROLLED DOCUMENT FOR TYCO ELECTRONICS CORPORATION. IT IS SUBJECT TO CHANGE AND THE CONTROLLING ENGINEERING ORGANIZATION SHOULD BE CONTACTED FOR THE LATEST REVISION.</small>		DWN ADAMS LV 29 JUN 2009 CHK MARTIN LI 29 JUN 2009 APVD STEVEN YAO 29 JUN 2009	Tyco Electronics Tyco Electronics Shanghai China
DIMENSIONS: mm 		PRODUCT SPEC 108-2127 APPLICATION SPEC 114-13096 WEIGHT -	NAME ASSEMBLY, XFP CAGE WITH INSULATING TAPE AND CLIP SIZE A200779 CAGE CODE C-1932093 DRAWING NO - RESTRICTED TO -
TOLERANCES UNLESS OTHERWISE SPECIFIED: 0 PLC ± 1 PLC ±0.1 2 PLC ±0.05 3 PLC ± 4 PLC ± ANGLES ± FINISH ±		CUSTOMER DRAWING SCALE 1:1 SHEET 3 OF 4 REV B	

THIS DRAWING IS UNPUBLISHED. RELEASED FOR PUBLICATION 20
 © COPYRIGHT 20 BY TYCO ELECTRONICS CORPORATION. ALL RIGHTS RESERVED.

LOC	DIST	REVISIONS					
ES	00	P	LTR	DESCRIPTION	DATE	DWN	APVD
		-		SEE SHEET 1			



DETAIL E
 SCALE 8:1

DETAILED HOST BOARD MECHANICAL LAYOUT

<small>THIS DRAWING IS A CONTROLLED DOCUMENT FOR TYCO ELECTRONICS CORPORATION. IT IS SUBJECT TO CHANGE AND THE CONTROLLING ENGINEERING ORGANIZATION SHOULD BE CONTACTED FOR THE LATEST REVISION.</small>		DWN ADAMS LV 29 JUN 2009 CHK MARTIN LI 29 JUN 2009 APVD STEVEN YAO 29 JUN 2009	Tyco Electronics Tyco Electronics Shanghai China
DIMENSIONS: mm 		PRODUCT SPEC 108-2127 APPLICATION SPEC 114-13096 WEIGHT -	NAME ASSEMBLY, XFP CAGE WITH INSULATING TAPE AND CLIP SIZE A200779 CAGE CODE C-1932093 DRAWING NO 1932093 RESTRICTED TO -
TOLERANCES UNLESS OTHERWISE SPECIFIED: 0 PLC ± 1 PLC ±0.1 2 PLC ±0.05 3 PLC ± 4 PLC ± ANGLES ± FINISH ±		CUSTOMER DRAWING SCALE 1:1 SHEET 4 OF 4 REV B	