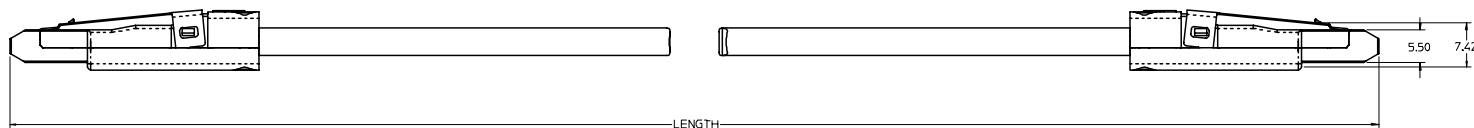
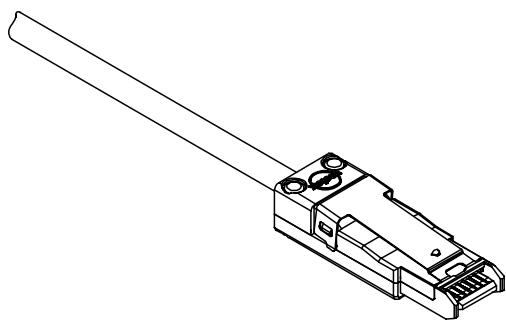
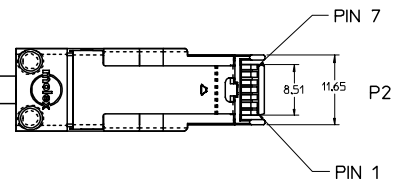
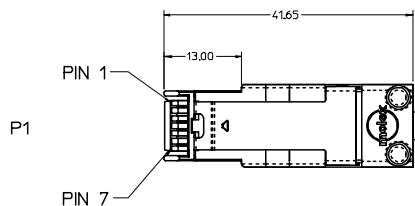


20 19 18 17 16 15 14 13 12 11 10 9 8 7 6 5 4 3 2 1

M
L
K
J
I
H
G
F
E
D
C
B
A

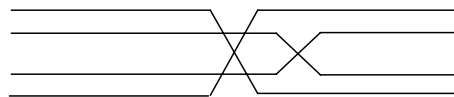
M
L
K
J
I
H
G
F
E
D
C
B
A



WIRING DIAGRAM

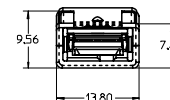
P1 END

PIN	SIGNAL
1	Gnd
2	Rx-
3	Rx+
4	Gnd
5	Tx+
6	Tx-
7	Gnd



P2 END

PIN	SIGNAL
1	Gnd
2	Rx-
3	Rx+
4	Gnd
5	Tx+
6	Tx-
7	Gnd



MOLEX P/N	LENGTH	TOLERANCE
73939-1001	.05M	± .03M
73939-1002	1M	± .03M
73939-1014	1.5M	± .03M
73939-1003	2M	± .03M
73939-1004	3M	± .03M
73939-1005	5M	± .03M
73939-1006	10M	± .03M

NOTES:

- MATERIALS
 CABLE - FULLY SHIELDED PER 71153-****
 HOUSING - ZINC ALLOY, PLATED BRIGHT TIN
 LATCH - PHOSPHOR BRONZE, PLATED BRIGHT TIN
 PRINTED CIRCUIT BOARD - FR4
 STRAIN RELIEF - THERMOPLASTIC BLACK MOLDING COMPOUND, FLEXIBLE
- MATES WITH MOLEX SERIES 74703 RECEPTACLE

ENTER DESCRIPTION EC NO: USY2008-0080 DRAWN: JERNIN 2007/08/24 CHKD: DDDDE 2007/09/04 APPR: DDDDE 2007/10/17 DESCRIPTION	QUALITY SYMBOLS	GENERAL TOLERANCES (UNLESS SPECIFIED)	DIMENSION STYLE	SCALE	DESIGN UNITS	THIRD ANGLE PROJECTION
	▼=0 ▽=0	4 PLACES ± --- ± --- 3 PLACES ± --- ± --- 2 PLACES ± 0.25 ± --- 1 PLACE ± 0.3 ± --- ANGULAR ±1/2°	MM ONLY	1:1	METRIC	DRAWN BY: DSL DATE: 00/10/16 CHECKED BY: DATE: 00/10/26 APPROVED BY: DLD DATE: 00/10/26
	DRAFT WHERE APPLICABLE MUST REMAIN WITHIN DIMENSIONS		SEE TABLE	TITLE: HSSDC II PLUG TO PLUG UNEQUALIZED MOLEX MOLEX INCORPORATED MATERIAL NO. SD-73939-1*** DOCUMENT NO.		SHEET NO. 1 OF 1
	THIS DRAWING CONTAINS INFORMATION THAT IS PROPRIETARY TO MOLEX INCORPORATED AND SHOULD NOT BE USED WITHOUT WRITTEN PERMISSION					

19 18 17 16 15 14 13 12 11 10 9 8 7 6 5 4 3 2 1