

1. SCOPE

This instruction sheet illustrates the mounting patterns required for the VITA 67.1 and 67.2 RF backplane and plug-in modules. These RF modules are typically mounted to either a printed circuit board or metal cold plate. The following figures show the required mounting patterns for each type of RF module.

2. REVISION SUMMARY

B. Update per latest revision of ANSI/VITA 67.1 and ANSI/VITA 67.2 and added individual SMPM vertical PCB plug option for the backplane.

3. DOCUMENTATION

3.1. Drawings

Customer drawings for the product line are available from www.te.com. Or, call the Product Information number at the bottom of page 1.

3.2. Standards and Publications

ANSI/VITA 46.0-2007, "VPX Baseline Standard"
ANSI/VITA 67.0-2012, "VPX Coaxial Interconnect"
ANSI/VITA 67.1-2012, "VPX Coaxial Interconnect, 3U, 4 Position SMPM Configuration"
ANSI/VITA 67.2-2012, "VPX Coaxial Interconnect, 6U, 8 Position SMPM Configuration"

4. VITA 67 MODULE MOUNTING PATTERNS

RF Modules are located from the guide module mounting locations. For the location of the guide hardware, please refer to ANSI/VITA 46.0-2007, VPX Baseline Standard.

i Dimensions provided in the following figures are inches first with [millimeters] in brackets.

4.1. VITA 67.1, 4 Position Modules

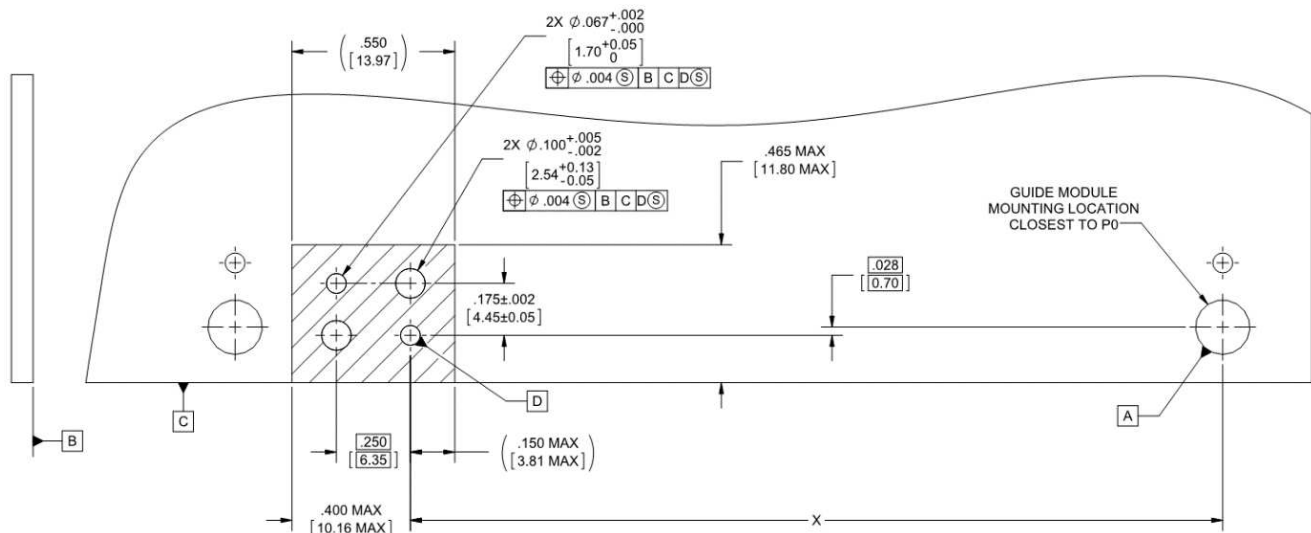


Figure 1: Four Position RF Plug-in Module Mounting Location. (Reference ANSI/VITA 67.1, Figure 3.3.1-1)

POSITION	DIM "X"
P2A	2.187" [55.55mm]
P2B	2.743" [69.67mm]
P3A	3.875" [98.42mm]
P3B	4.431" [112.54mm]
P4A	5.009" [127.22mm]
P4B	5.565" [141.34mm]
P5A	6.142" [156.02mm]
P5B	6.698" [170.14mm]
P6A	7.276" [184.82mm]
P6B	7.832" [198.94mm]
ALL DIMENSIONS $\pm .0008"$ [$\pm 0.02mm$] UNLESS OTHERWISE SPECIFIED	

Table 1: Four Position Plug-in Module Connector Location.

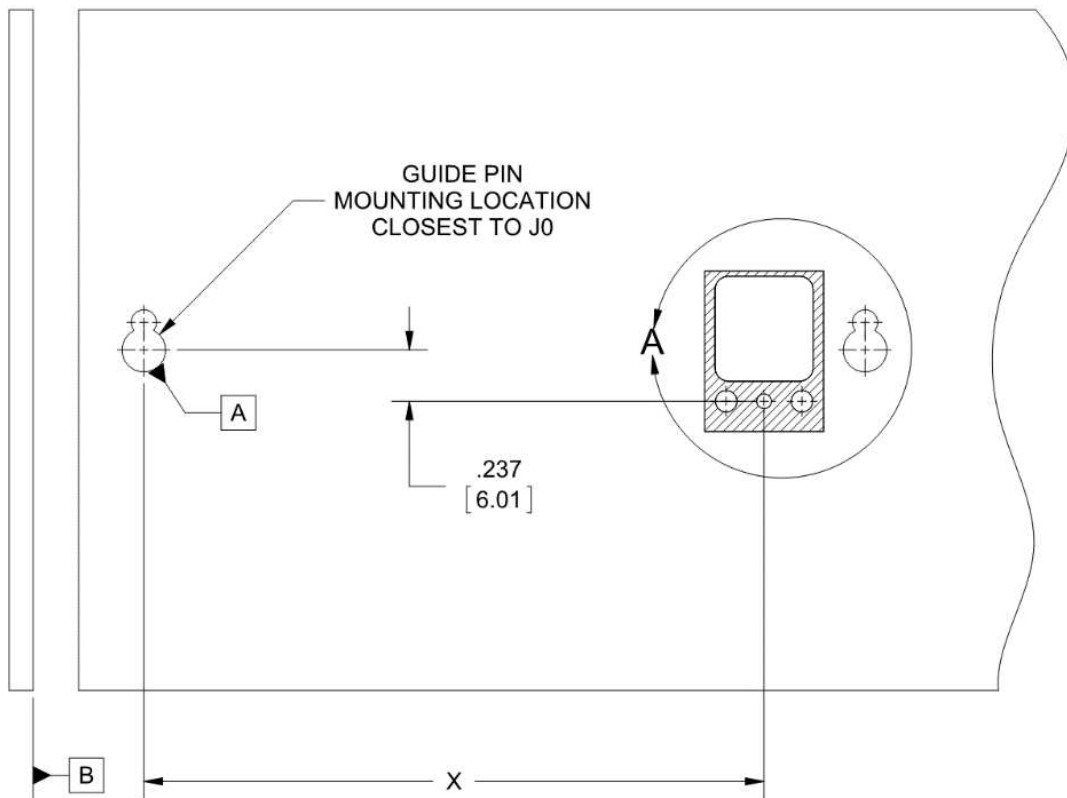


Figure 2: Four Position RF Backplane Module Footprint and Cutout. (Reference ANSI/VITA 67.1, Figure 3.3.2-1)

POSITION	DIM "X"
J2A	2.312" [58.73mm]
J2B	2.868" [72.85mm]
J3A	4.000" [101.60mm]
J3B	4.556" [115.72mm]
J4A	5.134" [130.40mm]
J4B	5.690" [144.52mm]
J5A	6.268" [159.20mm]
J5B	6.824" [173.32mm]
J6A	7.402" [188.00mm]
J6B	7.957" [202.12mm]
ALL DIMENSIONS $\pm .0008"$ [$\pm 0.02\text{mm}$] UNLESS OTHERWISE SPECIFIED	

Table 2: Four Position Backplane Connector Mounting Locations by Position.

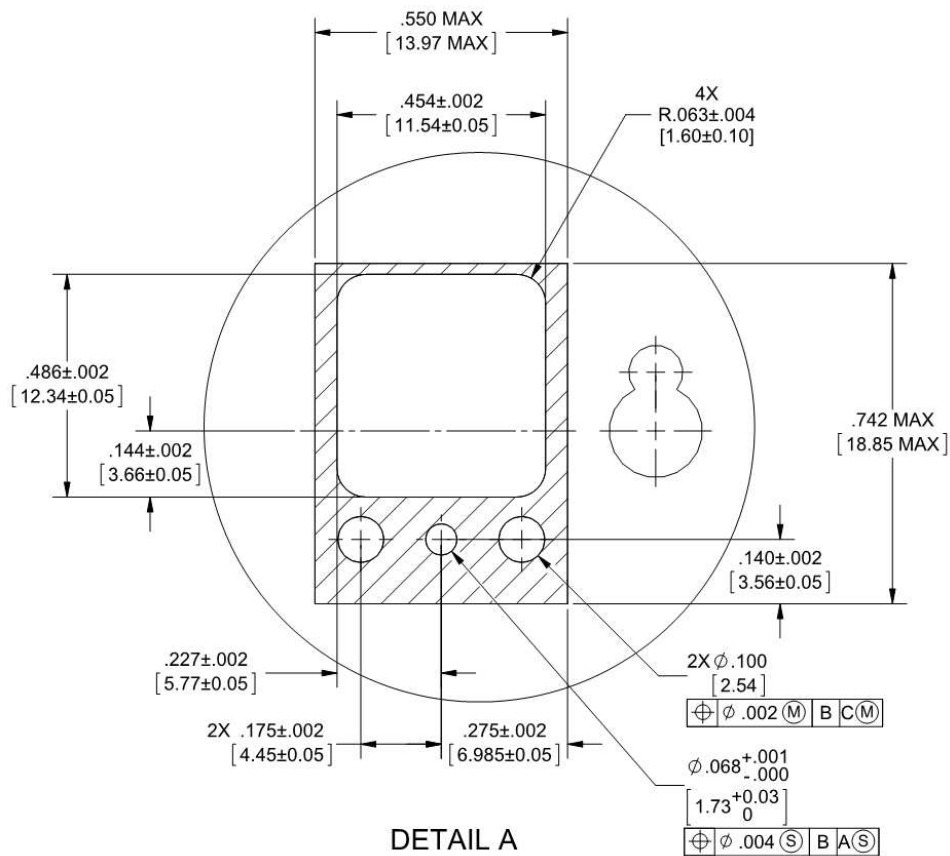


Figure 3: Detail A, Four Position RF Backplane Module Mounting.

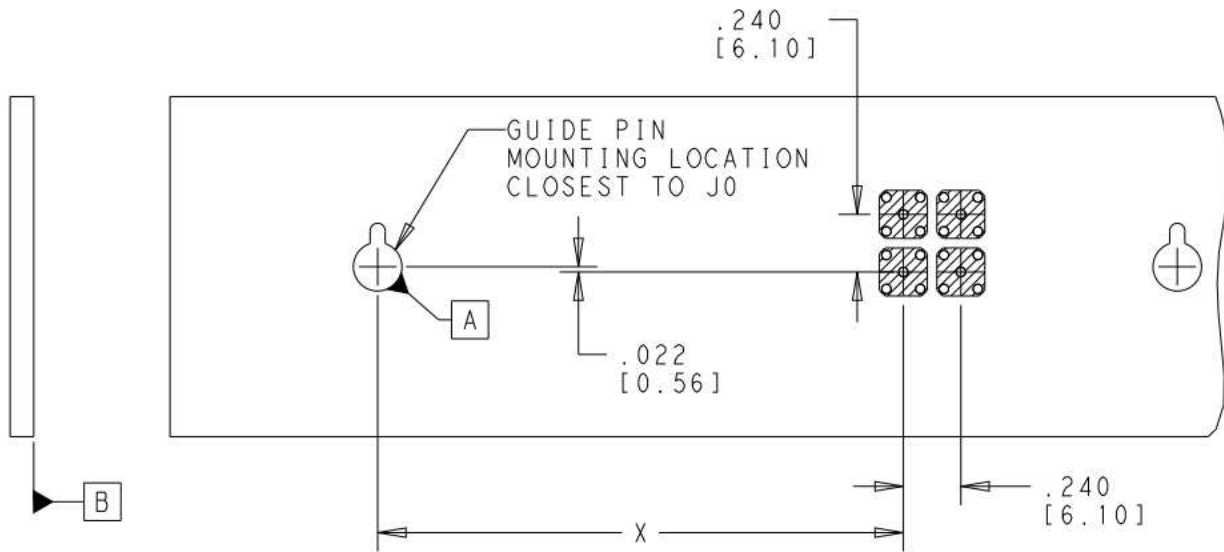


Figure 4: Four Position RF Backplane Mounting Location for SMPM Vertical Plug (1996318-1)

POSITION	DIM "X"
J2A	2.192" [55.68mm]
J2B	2.748" [69.80mm]
J3A	3.880" [98.55mm]
J3B	4.436" [112.67mm]
J4A	5.014" [127.36mm]
J4B	5.570" [141.48mm]
J5A	6.148" [156.16mm]
J5B	6.704" [170.28mm]
J6A	7.282" [184.96mm]
J6B	7.837" [199.06mm]
ALL DIMENSIONS ±.0008" [±.02mm] UNLESS OTHERWISE SPECIFIED	

Table 3: Four Position RF Backplane Mounting Location for SMPM Vertical Plug (1996318-1) by Position.

4.2. VITA 67.2 8 Position Modules.

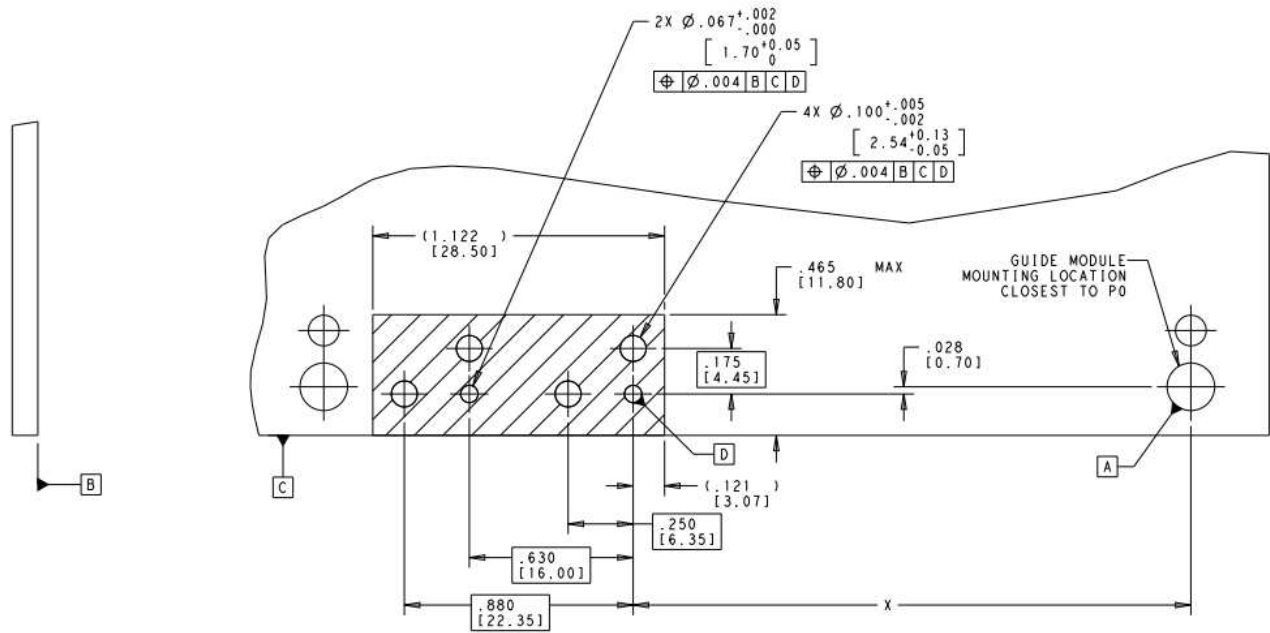


Figure 5: Eight Position RF Plug-in Module Mounting Location. (Reference ANSI/VITA 67.2, Figure 3.3.1-1)

POSITION	DIM "X"
P2	2.145" [54.48mm]
P3	3.831" [97.31mm]
P4	4.965" [126.11mm]
P5	6.099" [154.91mm]
P6	7.233" [183.71mm]
ALL DIMENSIONS ± .0008" [± 0.02mm] UNLESS OTHERWISE SPECIFIED	

Table 4: Eight Position RF Plug-in Module Mounting Location.

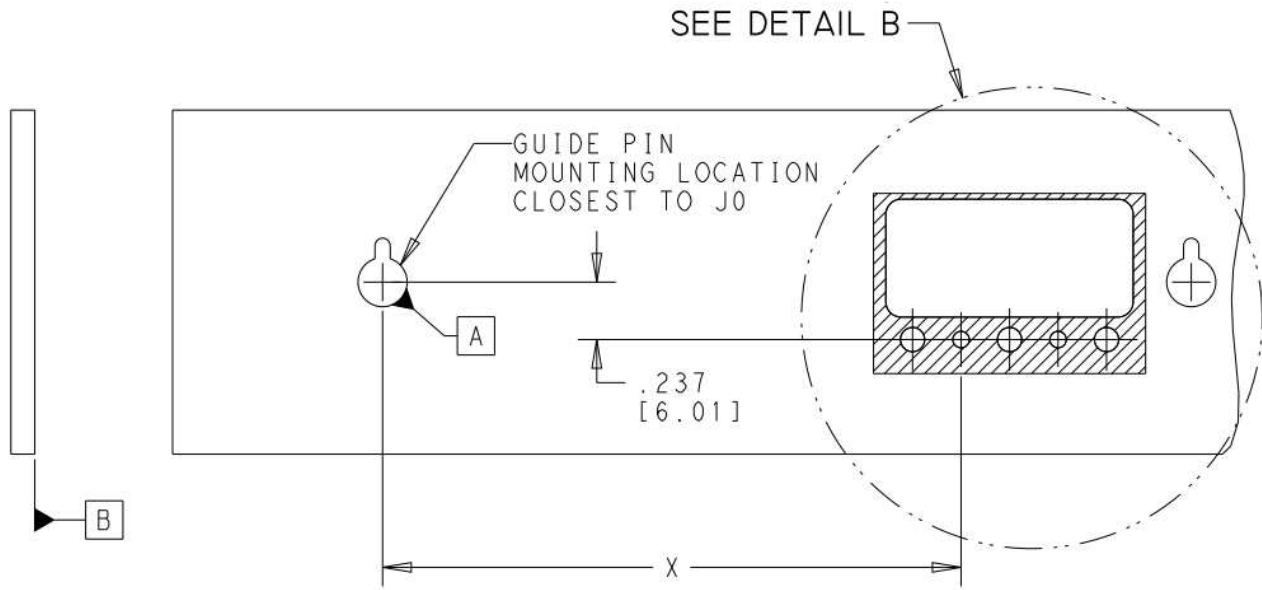


Figure 6: Eight Position RF Backplane Module Mounting Location. (Reference ANSI/VITA 67.2, Figure 3.3.2-1)

POSITION	DIM "X"
J2	2.385" [60.59mm]
J3	4.071" [103.41mm]
J4	5.205" [132.21mm]
J5	6.339" [161.01mm]
J6	7.473" [189.81mm]
ALL DIMENSIONS ± .0008" [± 0.02mm] UNLESS OTHERWISE SPECIFIED	

Table 5: Eight Position RF Backplane Module Mounting Location.

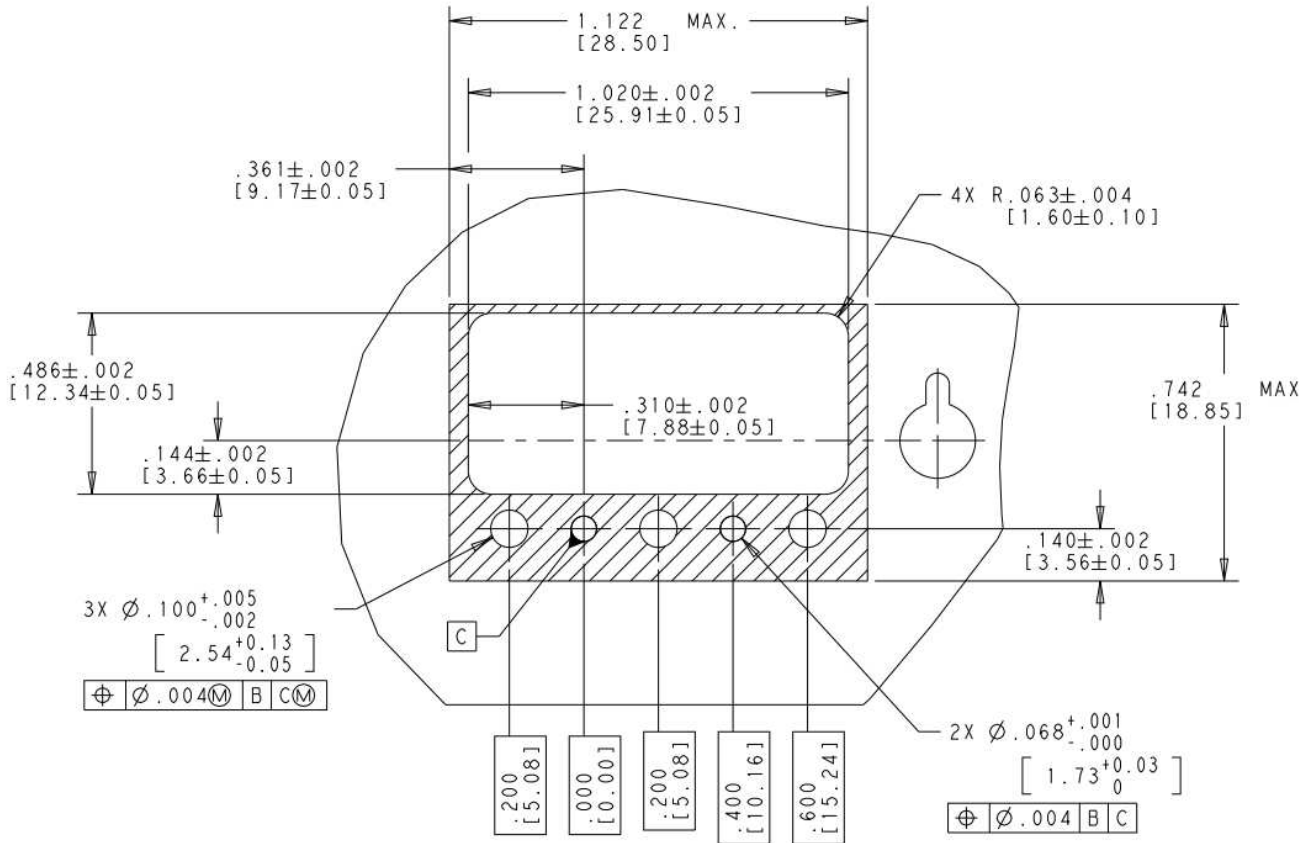


Figure 8: Detail B, Eight Position RF Backplane Module Mounting Location.

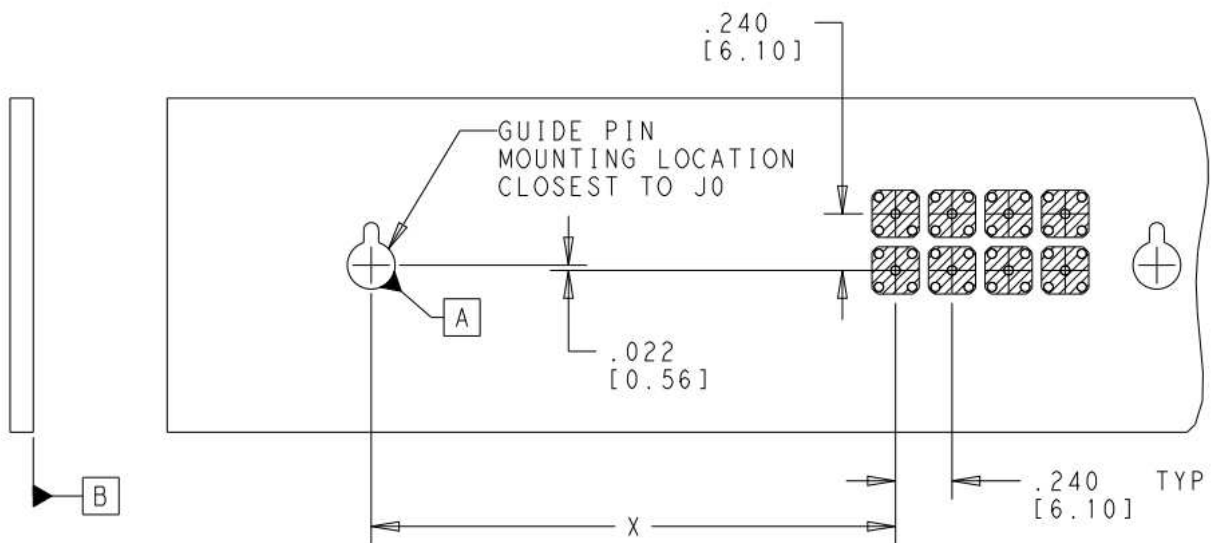


Figure 7: Eight Position RF Backplane Mounting Location for SMPM Vertical Plug (1996318-1)

POSITION	DIM "X"
J2	2.225" [56.53mm]
J3	3.911" [99.35mm]
J4	5.045" [128.15mm]
J5	6.179" [156.95mm]
J6	7.313" [185.75mm]
ALL DIMENSIONS $\pm .0008"$ [$\pm 0.02\text{mm}$] UNLESS OTHERWISE SPECIFIED	

Table 6: Eight Position RF Backplane Mounting Location for SMPM Vertical Plug (1996318-1) by Position.