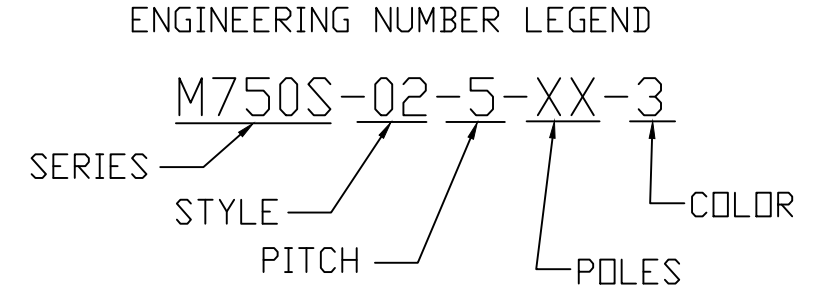
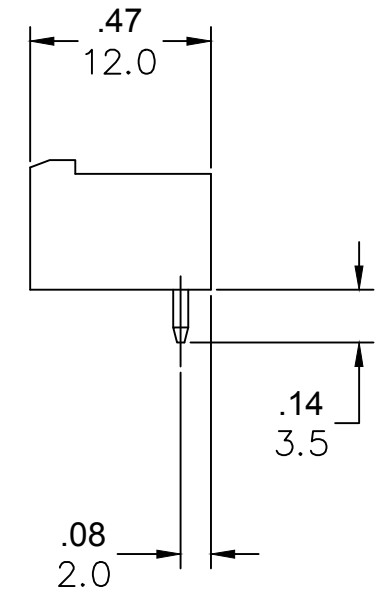
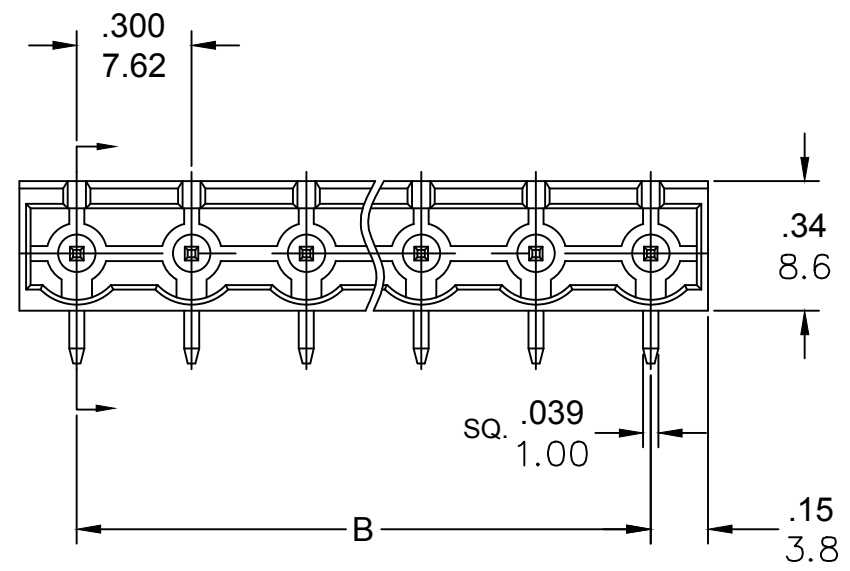
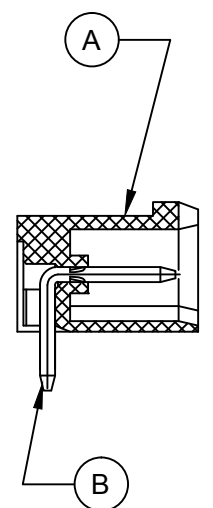
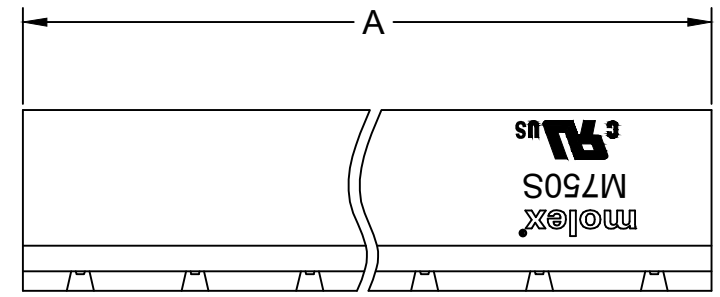
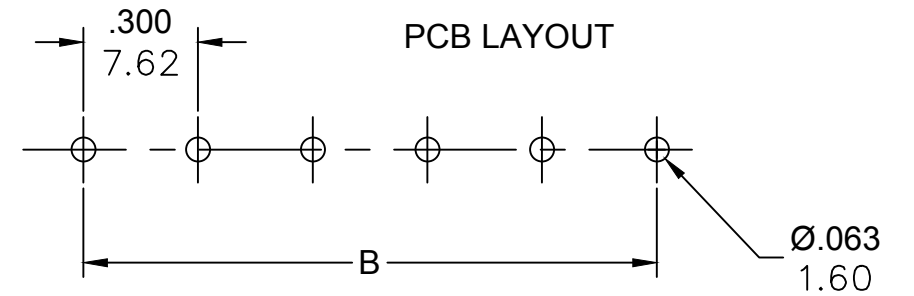


PART NUMBER DATA							
CIRCUITS	PART NUMBER	ENGINEERING NUMBER	COLOR	A IN mm		B IN mm	
2	397230002	M750S-02-5-02-3	GREEN	.60	15.2	.300	7.62
3	397230003	M750S-02-5-03-3	GREEN	.90	22.9	.600	15.24
4	397230004	M750S-02-5-04-3	GREEN	1.20	30.5	.900	22.86
5	397230005	M750S-02-5-05-3	GREEN	1.50	38.1	1.200	30.48
6	397230006	M750S-02-5-06-3	GREEN	1.80	45.7	1.500	38.10
7	397230007	M750S-02-5-07-3	GREEN	2.10	53.3	1.800	45.72
8	397230008	M750S-02-5-08-3	GREEN	2.40	61.0	2.100	53.34
9	397230009	M750S-02-5-09-3	GREEN	2.70	68.6	2.400	60.96
10	397230010	M750S-02-5-10-3	GREEN	3.00	76.2	2.700	68.58
11	397230011	M750S-02-5-11-3	GREEN	3.30	83.8	3.000	76.20
12	397230012	M750S-02-5-12-3	GREEN	3.60	91.4	3.300	83.82

REF. LAST 2 DIGITS OF PART NUMBER EQUALS NUMBER OF POLES



CONTACT FACTORY FOR OPTIONAL COLORS



SPECIFICATIONS:

- MATERIAL:
 - A. BODY: PA66, UL94 V-0
 - B. TERMINAL: BRASS, TIN PLATED
- RATING: 15A AT 51-150V, 10A AT 151 TO 300V
- OPERATING TEMPERATURE: -40°C + 105°C
- DIELECTRIC VOLTAGE WITHSTAND: AC 2500V FOR 1 MINUTE.
- INSULATION RESISTANCE: DC 500V, 500MΩ
- RATED IMPULSE VOLTAGE: 4000V, PLUS AND MINUS 5 TIMES EACH.
- MAX. SOLDERING TEMPERATURE: +260°C FOR 5 SEC.
- MATES WITH TERMINAL PLUG SERIES: 39704
- DIMS SHOWN ARE FOR REFERENCE ONLY

TOLERANCES			
MM	TOL	INCH	TOL
0-6	±0.25	0-.24	±.010
>6-30	±0.40	.24-1.18	±.016
>30-120	±0.50	1.18-4.76	±.020
>120	±0.80	>4.76	±.031

REVISED DOC TOL EC NO: IPG2017-0881 DRWN: ABENJAMI CHKD: --- APPR: BRUPERT 2014/10/16 4/6/17	QUALITY SYMBOLS ▽=0 ▽=0	GENERAL TOLERANCES (UNLESS SPECIFIED)		DIMENSION STYLE IN/MM		SCALE ---	DESIGN UNITS METRIC	THIRD ANGLE PROJECTION	
		4 PLACES	±---	±---	DRAWN BY RSTONE DATE 2014/01/23	TITLE 7.62MM EURO HEADER RIGHT ANGLE CLOSED END			
		3 PLACES	±---	±---	CHECKED BY G. FARNS DATE ---	MOLEX INCORPORATED			
		2 PLACES	±---	±---	APPROVED BY JFMURPHY DATE 2014/10/16	DOCUMENT NO. SD-39723-001	SHEET NO. 1 OF 1		
DRAFT WHERE APPLICABLE MUST REMAIN WITHIN DIMENSIONS		ANGULAR ±---°		SEE CHART		THIS DRAWING CONTAINS INFORMATION THAT IS PROPRIETARY TO MOLEX INCORPORATED AND SHOULD NOT BE USED WITHOUT WRITTEN PERMISSION			