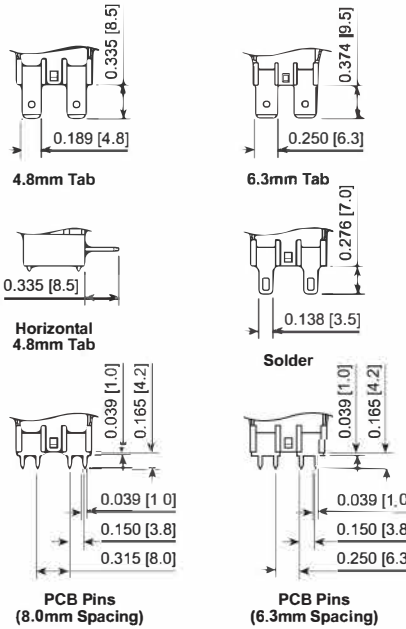


### Terminal Options



### FEATURES:

- Durable, Robust and Economical
- Popular 13mm x 19mm Cutout
- High Power Ratings
- Standard and Water-resistant Versions
- Illuminated Versions

### SPECIFICATIONS:

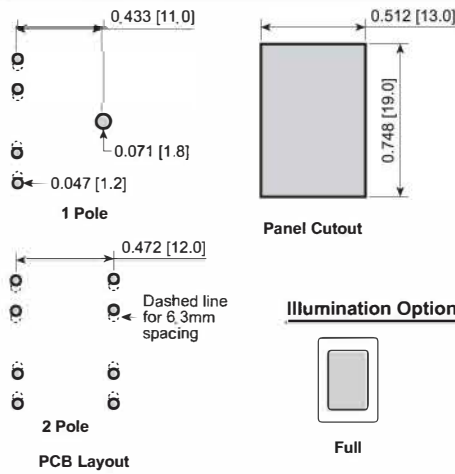
**RATING:** RATING OPTION C:  
16A 125/250VAC [UR, cUR]

RATING OPTION J:  
16A 125/250VAC [UR, cUR]

**TEMPERATURE:** -20°C to 65°C [UR, cUR]

**ELECTRICAL LIFE:** 10,000 Cycles  
**CONTACT RESISTANCE:** 20mΩ Min. at 1A 5VDC  
**INSULATION RESISTANCE:** 100MΩ Min. at 500VDC  
**DIELECTRIC STRENGTH:** 1,000VAC for 1 Minute

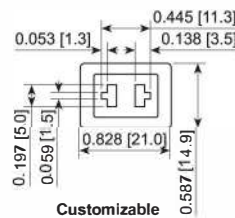
### Mounting Options



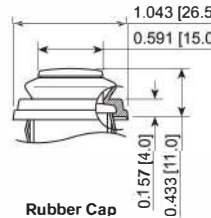
### Illumination Options



### Actuator Options



### Water Protection Options



PA421C4000-124



PA431C1700



PA4R11C1000-116

PA411C1100



PA411C1900

Series	Terminal	Function	Rating	Body Color	Actuator Color	Marking Color	Marking Type	Lens Style	Lens Color	Lamp Voltage
PA4 - Std. Version	1 - 4.8mm Tab	1 Pole:	C - 16A 125/250VAC [UL, CSA]	1 - Black	0 - Full Illum.	0 - None	0 - None	1 - Full	0 - Clear	3 - 6V
PA4R - Rubber Cap	2 - Solder	1 - Off-On	16(4)A 250V-[ENEC]	2 - White	1 - Black	1 - Black	1 - Power Symbol Vert.	1 - Red	1 - Red	4 - 12V
PA4C - Customizable	3 - PCB Pins (8.0mm)	4 - Off-(On)		4 - Grey	2 - White	2 - White	2 - Power Symbol Horz.	2 - Amber	2 - Amber	5 - 24V
	4 - PCB Pins (6.3mm)	2 Pole:	J - 16A 125/250VAC [UL, CSA]	9 - Red	4 - Grey	8 - Red	3 - Reset Symbol Vert.	3 - Green	3 - Green	6 - 125V
	5 - Horizontal 4.8mm Tabs	2 - Off-On	16(8)A 250V-[ENEC]		5 - Orange		4 - Reset Symbol Horz.	4 - Blue	4 - Blue	7 - 250V
	6 - 6.3mm Tab	E - Off-(On)			7 - Blue		5 - POWER Vert.	5 - Yellow	5 - Yellow	
					8 - Green		6 - POWER Horz.			
					9 - Red		7 - RESET Vert.			
							8 - RESET Horz.			

Custom Colors and Markings Available Upon Request For Illuminated Switches Only

### EXAMPLE PART NUMBERS:

PA411C1100 1P Off-On  
Black Body/Actuator, 4.8mm Tab

PA414C1100 1P Off-(On)  
Black Body/Actuator, 4.8mm Tab

PA412C1100-116 2P Off-On  
Black Body, Red Actuator, 125V, 4.8mm Tab

PA421C1100 1P Off-On  
Black Body/Actuator, Solder Tab

