

LED Panel Mount Indicator Catalog

For LED and Relampable Products



Dialight Signals & Components

In business since 1938, Dialight continues to pioneer some of the most innovative applications in LED technology since the development of LED in the early 1970's. We put our expertise to work for you by designing the most reliable and cost-effective LED products available. As a vertically integrated supplier, Dialight has the resources to design and produce everything in-house, supported by a global sales distribution network.



Typical Applications

Dialight's panel mount products are used for status indication in broad range of applications from heavy duty vehicles, military avionics displays to servers and communications equipment. Some examples of common applications are:

- Medical
- Military/Aviation
- Oil/Gas/Mining Equipment
- Food Processing
- Marine
- Wire and Harness
- Power Distribution
- Industrial Control Panels
- Test & Measurement
- Traffic controls and Rail Applications
- Servers & Storage
- Transportation
- Fan Trays

Dialight reserves the right to make changes at any time in order to supply the best product possible. The most current version of this document will always be available at: www.dialightsignalsandcomponents.com

Warranty Statement: Except for the warranty expressly provided for [herein/above/below], Dialight disclaims any and all other warranties, express or implied, including, without limitation, any warranties of merchantability, fitness for a particular purpose, title, and noninfringement.

Table of Contents



LED Panel Mount Indicators*

4

249 Series | 0.375" (9.53mm)

556 Series | 1" (25.40mm)

557 Series | 0.688" (17.46mm)

558 Series | 0.156" (3.96mm)

559 Series | 0.250" (6.35mm)

605–612 Series | 0.205"–0.492" (5.2mm–12.5mm)

620–623 Heavy Duty Series | 0.323" | 1.18" (8.2mm–30mm)

630 Series | 1.18" (30mm)

653 & 654 Snap-in Series | 0.58"–0.657" (14.7-16.7mm)

655 Series | 0.50" (12.7mm)

656 Series | 0.500" (12.7mm)

657 Series | 0.688" (17.46mm)

675–682 High Intensity Series | 0.205"–0.492" (5.2mm–12.5mm)

670 Series | 0.205"-0.642" (5mm–16mm)



LED Bulbs

73

Based LED Bulbs

Incandescent Lamp / Based LED Cross-reference guide



Relampable Lampholders and Caps*

96

• 3/8" (9.53mm)

• 15/32" (11.91mm)

• 11/16" (17.46mm)

• 1" (25.40mm)

Neon & Incandescent Panel Mount Indicator Part Numbering System



Military Panel Mount Indicators

101

Military Panel Mount Indicators

Military Cross Reference Guide

*Dimensions are mounting hole diameter.



Certifications & Ratings

- RoHS Compliant

Application

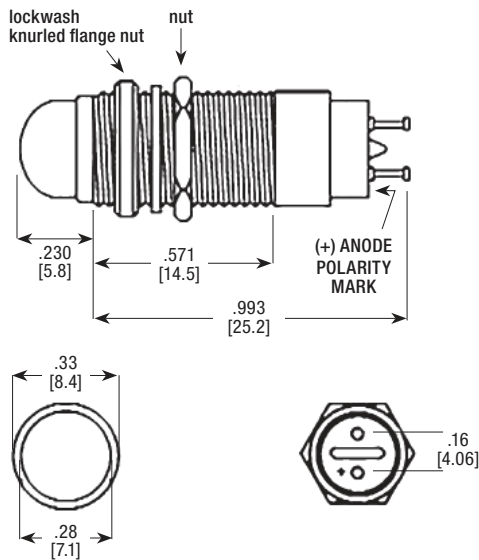
Dialight's 249 series LED panel mount indicator is available with a variety of LED's including AlInGap and InGan technology for high brightness applications. These indicators are designed for a variety of applications such as:

- Main and remote power indication
 - Status indication
 - Maintenance and warning indication
 - Instrumentation
 - Process control
- ... and many more!

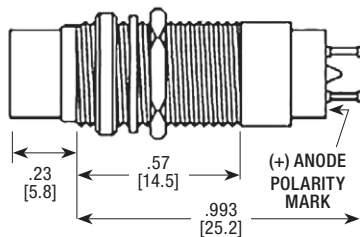
Dimensions

inches [mm]

Stovepipe Lens



Cylindrical Lens



*Cylindrical lens will provide wider viewing angle

Mechanical information

Mounting Hole Size: 0.375" (9.53 mm)

Max Panel Thickness: 0.312" (7.92 mm)

Mounting Torque: 8–10 in-lbs torque

Specifications

Voltage Options: 3.6, 5, 10, 14, and 28 VDC
(no resistor required)

Operating Temp: -55 °C to +71 °C (-67 °F to +159.8 °F)

Storage Temp: -55 °C to +71 °C (-67 °F to +159.8 °F)

Electrical Connection: Turret terminals for wire wrapping

Housing: Aluminum – Black Anodized

Terminals: Phosphor Bronze – Fused Tin

Knurled Flange Nut: Aluminum – Black Anodized

Lock Washer: Phosphor Bronze – White Nickel Plated

Nut: Brass – White Nickel Plated



Ordering Information

249 Series

Stovepipe Lens

| Dialight P/N | Color | Voltage (VDC)* | Current (mA) | Typical Intensity (mcd) |
|--------------------|--------|----------------|--------------|-------------------------|
| 249-4162-3734-504F | Blue | 3.5** | 10 | 1500 |
| 249-7867-3731-504F | Red | 3.6 | 20 | 170 |
| 249-7967-3732-504F | Green | | | 100 |
| 249-8067-3733-504F | Yellow | | | 150 |
| 249-4164-3734-504F | Blue | | | 10 |
| 249-7868-3731-504F | Red | 5 | 20 | 170 |
| 249-7968-3732-504F | Green | | | 100 |
| 249-8068-3733-504F | Yellow | | | 150 |
| 249-4166-3734-504F | Blue | | | 10 |
| 249-7870-3731-504F | Red | 10 | 20 | 170 |
| 249-7970-3732-504F | Green | | | 100 |
| 249-8070-3733-504F | Yellow | | | 150 |
| 249-4167-3734-504F | Blue | | | 10 |
| 249-7871-3731-504F | Red | 14 | 20 | 170 |
| 249-7971-3732-504F | Green | | | 100 |
| 249-8071-3733-504F | Yellow | | | 150 |
| 249-4168-3734-504F | Blue | | | 28 |
| 249-7872-3731-504F | Red | 170 | | |
| 249-7972-3732-504F | Green | 100 | | |
| 249-8072-3733-504F | Yellow | 150 | | |

Cylindrical Lens

| Dialight P/N | Color | Voltage (VDC)* | Current (mA) | Typical Intensity (mcd) |
|--------------------|--------|----------------|--------------|-------------------------|
| 249-4162-3334-504F | Blue | 3.5** | 10 | 700 |
| 249-7867-3331-504F | Red | 3.6 | 20 | 55 |
| 249-7967-3332-504F | Green | | | 40 |
| 249-8067-3333-504F | Yellow | | | 75 |
| 249-4164-3334-504F | Blue | | | 10 |
| 249-7868-3331-504F | Red | 5 | 20 | 55 |
| 249-7968-3332-504F | Green | | | 40 |
| 249-8068-3333-504F | Yellow | | | 75 |
| 249-4166-3334-504F | Blue | | | 10 |
| 249-7870-3331-504F | Red | 10 | 20 | 55 |
| 249-7970-3332-504F | Green | | | 40 |
| 249-8070-3333-504F | Yellow | | | 75 |
| 249-4167-3334-504F | Blue | | | 10 |
| 249-7871-3331-504F | Red | 14 | 20 | 55 |
| 249-7971-3332-504F | Green | | | 40 |
| 249-8071-3333-504F | Yellow | | | 75 |
| 249-4168-3334-504F | Blue | | | 28 |
| 249-7872-3331-504F | Red | 55 | | |
| 249-7972-3332-504F | Green | 40 | | |
| 249-8072-3333-504F | Yellow | 75 | | |

*Dialight recommends tolerance of 5% of specified voltage range.

**VF typical — Requires current limiting resistor

Dialight reserves the right to make changes at any time in order to supply the best product possible. The most current version of this document will always be available at: www.dialightsignalsandcomponents.com

Warranty Statement: Except for the warranty expressly provided for [herein/above/below], Dialight disclaims any and all other warranties, express or implied, including, without limitation, any warranties of merchantability, fitness for a particular purpose, title, and noninfringement.



Certifications & Ratings

- UL 1598 (E156890)
- IP66
- NEMA 4X
- RoHS Compliant w/6C exemption
- IK07

Application

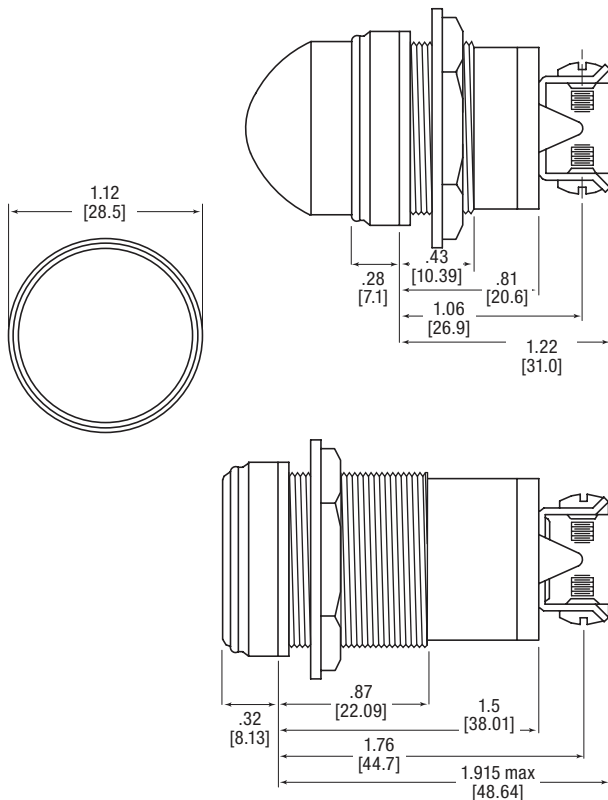
The 556 Series LED Panel Mount Indicators incorporate both InGaN and AlInGaP technologies to offer maximum light output. This is a highly durable package, designed to withstand outdoor applications susceptible to rain, dust and sunlight:

- Instrument panels
- Safety applications
- Transportation: rail, bus, airline
- Vending, gaming
- Lane control
- Display lighting

... and many more!

Dimensions

inches [mm]



Mechanical information

- Mounting Hole Size:** 1.0" (25.4 mm)
Max Panel Thickness: Flat: 0.600" (15.24 mm)
 Dome: 0.187" (4.27 mm)
Mounting Torque: 40 in-lbs

Specifications

- Voltage Options:** 12 to 125 VDC, and 125, 230 VAC (no resistor required)
Operating Temp: -30 °C to +85 °C (-22 °F to +185 °F)
Storage Temp: -40 °C to +100 °C (-40 °F to +212 °F)
Electrical Connection: 6-32 screw terminals
Housing: Brass—White or Black Nickel Plated
Terminals: Brass — Hot solder dip per Mil-F-14072D, M258, Type II
Lens Material: Transparent Polycarbonate (UL 94V-0)
Lock Washer: Phosphor Bronze — White or Black Nickel Plated
Nut: Brass—White or Black Nickel Plated



Ordering Information

556 Series — Standard, Flat Lens

Part Number Guide 556 Series

RoHS Compliant

| | | | | | | | | | | | | |
|-------------------|---|--------------|---|---|---|----------------|--------------------|---|---|---|---|---|
| 5 | 5 | 6 | - | X | X | X | X | - | X | 0 | 4 | F |
| Lens Style | | Color | | | | Voltage | | | | | | |
| Flat | 1 | | | | | 3 | 12 vdc | | | | | |
| Domed | 3 | | | | | 4 | 24 vdc | | | | | |
| | | ○ White | 0 | 0 | 8 | 37.5 VDC | Plating | | | | | |
| | | ● Red | 5 | 0 | 6 | 72 vdc | 2 Black | | | | | |
| | | ● Green | 6 | 0 | 7 | 125 vdc* | 3 White | | | | | |
| | | ● Cyan | 6 | 8 | 5 | 125 vdc* | | | | | | |
| | | ● Yellow | 7 | 0 | 9 | 230 vdc* | | | | | | |
| | | ● Blue | 8 | 0 | | | | | | | | |
| | | ● Orange | 9 | 0 | | | | | | | | |
| | | | | | | | *white nickel only | | | | | |

Flat Lens

| White Nickel | Black Nickel | Color | Voltage | Typ Current (mA) | Typical Intensity (mcd) |
|---------------|---------------|----------|----------|------------------|-------------------------|
| 556-1003-304F | 556-1003-204F | ○ White | 12 vdc | 60 | 61,000 |
| 556-1503-304F | 556-1503-204F | ● Red | | 95 | 22,000 |
| 556-1603-304F | 556-1603-204F | ● Green | | 60 | 41,500 |
| 556-1683-304F | 556-1683-204F | ● Cyan | | 60 | 37,000 |
| 556-1703-304F | 556-1703-204F | ● Yellow | | 95 | 13,500 |
| 556-1803-304F | 556-1803-204F | ● Blue | | 60 | 13,000 |
| 556-1903-304F | 556-1903-204F | ● Orange | | 95 | 11,500 |
| 556-1004-304F | 556-1004-204F | ○ White | 24 vdc | 32 | 61,000 |
| 556-1504-304F | 556-1504-204F | ● Red | | 46 | 22,000 |
| 556-1604-304F | 556-1604-204F | ● Green | | 32 | 41,500 |
| 556-1684-304F | 556-1684-204F | ● Cyan | | 32 | 37,000 |
| 556-1704-304F | 556-1704-204F | ● Yellow | | 46 | 13,500 |
| 556-1804-304F | 556-1804-204F | ● Blue | | 32 | 13,000 |
| 556-1904-304F | 556-1904-204F | ● Orange | | 46 | 11,500 |
| 556-1508-304F | 556-1508-204F | ● Red | 37.5 vdc | 20 | 14,000 |
| 556-1608-304F | 556-1608-204F | ● Green | | 16 | 54,000 |
| 556-1708-304F | 556-1708-204F | ● Yellow | | 20 | 12,750 |
| 556-1506-304F | 556-1506-204F | ● Red | 72 vdc | 18.5 | 15,000 |
| 556-1606-304F | 556-1606-204F | ● Green | | 16 | 45,500 |
| 556-1706-304F | 556-1706-204F | ● Yellow | | 20 | 9,000 |
| 556-1806-304F | 556-1806-204F | ● Blue | 18.5 | 15,000 | |
| 556-1007-304F | — | ○ White | 125 vdc | 10.5 | 36,000 |
| 556-1507-304F | — | ● Red | | 10 | 8,000 |
| 556-1607-304F | — | ● Green | | 10 | 27,000 |
| 556-1707-304F | — | ● Yellow | | 5,750 | |
| 556-1005-304F | — | ○ White | 125 vac | 11 | 35,000 |
| 556-1505-304F | — | ● Red | | 10.5 | 8,000 |
| 556-1605-304F | — | ● Green | | 9.5 | 29,000 |
| 556-1685-304F | — | ● Cyan | | 9.5 | 24,750 |
| 556-1705-304F | — | ● Yellow | | 10.5 | 5,750 |
| 556-1805-304F | — | ● Blue | | 9.5 | 7,750 |
| 556-1905-304F | — | ● Orange | | 10.5 | 6,000 |
| 556-1009-304F | — | ○ White | 230 vac | 6 | 35,000 |
| 556-1509-304F | — | ● Red | | 7 | 8,000 |
| 556-1609-304F | — | ● Green | | 7 | 29,000 |
| 556-1709-304F | — | ● Yellow | | 7 | 5,750 |
| 556-1809-304F | — | ● Blue | | 7 | 7,750 |
| 556-1909-304F | — | ● Orange | 7 | 6,000 | |

may be available at: www.dialightsignalsandcomponents.com
including, without limitation, any warranties of merchantability, fitness for a

Ordering Information

556 Series — Standard, Domed Lens

Domed Lens

| White Nickel | Black Nickel | Color | Voltage | Typ Current (mA) | Typical Intensity (mcd) |
|---------------|---------------|----------|----------|------------------|-------------------------|
| 556-3003-304F | 556-3003-204F | ○ White | 12 vdc | 60 | 17,000 |
| 556-3503-304F | 556-3503-204F | ● Red | | 95 | 14,000 |
| 556-3603-304F | 556-3603-204F | ● Green | | 60 | 14,000 |
| 556-3683-304F | 556-3683-204F | ● Cyan | | 60 | 11,500 |
| 556-3703-304F | 556-3703-204F | ● Yellow | | 95 | 4,000 |
| 556-3803-304F | 556-3803-204F | ● Blue | | 60 | 12,000 |
| 556-3903-304F | 556-3903-204F | ● Orange | | 95 | 3,500 |
| 556-3004-304F | 556-3004-204F | ○ White | | 24 vdc | 32 |
| 556-3504-304F | 556-3504-204F | ● Red | 46 | | 14,000 |
| 556-3604-304F | 556-3604-204F | ● Green | 32 | | 14,000 |
| 556-3684-304F | 556-3684-204F | ● Cyan | 32 | | 11,500 |
| 556-3704-304F | 556-3704-204F | ● Yellow | 46 | | 4,000 |
| 556-3804-304F | 556-3804-204F | ● Blue | 32 | | 12,000 |
| 556-3904-304F | 556-3904-204F | ● Orange | 46 | | 3,500 |
| 556-3508-304F | 556-3508-204F | ● Red | 37.5 vdc | 20 | 4,750 |
| 556-3608-304F | 556-3608-204F | ● Green | | 16 | 15,750 |
| 556-3708-304F | 556-3708-204F | ● Yellow | | 20 | 3,250 |
| 556-3506-304F | 556-3506-204F | ● Red | 72 vdc | 18.5 | 4,200 |
| 556-3606-304F | 556-3606-204F | ● Green | | 16 | 14,250 |
| 556-3706-304F | 556-3706-204F | ● Yellow | | 20 | 2,600 |
| 556-3806-304F | 556-3806-204F | ● Blue | | 18.5 | 4,500 |
| 556-3007-304F | — | ○ White | 125 vdc | 10.5 | 10,250 |
| 556-3507-304F | — | ● Red | | 10 | 2,500 |
| 556-3607-304F | — | ● Green | | 10 | 8,250 |
| 556-3707-304F | — | ● Yellow | | 10 | 1,500 |
| 556-3005-304F | — | ○ White | 125 vac | 11 | 10,250 |
| 556-3505-304F | — | ● Red | | 10.5 | 2,500 |
| 556-3605-304F | — | ● Green | | 9.5 | 9,500 |
| 556-3685-304F | — | ● Cyan | | 9.5 | 6,500 |
| 556-3705-304F | — | ● Yellow | | 10.5 | 1,750 |
| 556-3805-304F | — | ● Blue | | 9.5 | 3,000 |
| 556-3905-304F | — | ● Orange | | 10.5 | 1,750 |
| 556-3009-304F | — | ○ White | 230 vac | 6 | 10,250 |
| 556-3509-304F | — | ● Red | | 7 | 2,500 |
| 556-3609-304F | — | ● Green | | 7 | 9,500 |
| 556-3709-304F | — | ● Yellow | | 7 | 1,750 |
| 556-3809-304F | — | ● Blue | | 7 | 3,000 |
| 556-3909-304F | — | ● Orange | | 7 | 1,750 |

Dialight reserves the right to make changes at any time in order to supply the best product possible. The most current version of this document will always be available at: www.dialightsignalsandcomponents.com

Warranty Statement: Except for the warranty expressly provided for [herein/above/below], Dialight disclaims any and all other warranties, express or implied, including, without limitation, any warranties of merchantability, fitness for a particular purpose, title, and noninfringement.

556 Series

Standard Panel Mount Indicators

Constant Intensity, 18–48 VDC



Certifications & Ratings

- IP66
- NEMA 4X
- RoHS Compliant w/6C exemption
- IK07

Application

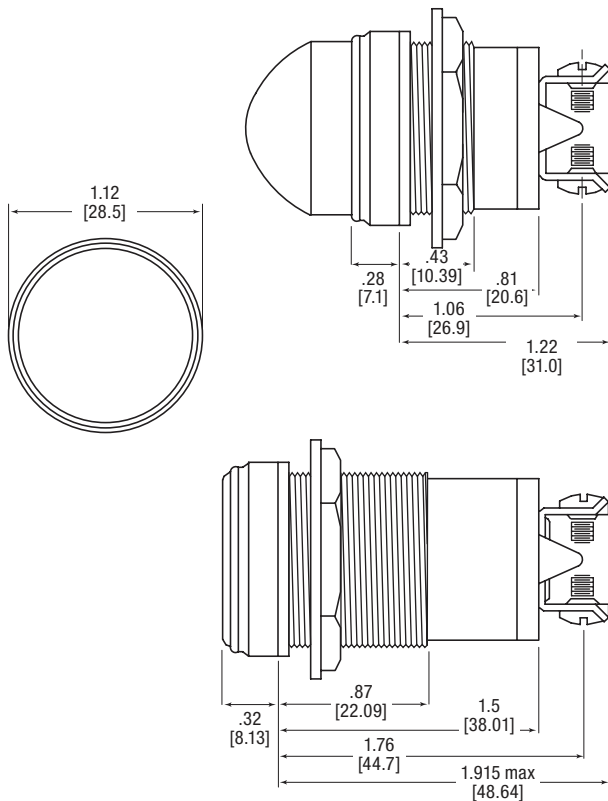
The 556 Series LED Panel Mount Indicators incorporate both InGaN and AlInGaP technologies to offer maximum light output. This is a highly durable package, designed to withstand outdoor applications susceptible to rain, dust and sunlight:

- Instrument panels
- Safety applications
- Transportation: rail, bus, airline
- Vending, gaming
- Lane control
- Display lighting

... and many more!

Dimensions

inches [mm]



Mechanical information

- Mounting Hole Size:** 1.0" (25.4 mm)
- Max Panel Thickness:** Flat: 0.600" (15.24 mm)
Dome: 0.187" (4.27 mm)
- Mounting Torque:** 40 in-lbs

Specifications

- Voltage Options:** 18–48 VDC
(internal resistor included)
- Operating Temp:** -30 °C to +85 °C (-22 °F to +185 °F)
- Storage Temp:** -40 °C to +100 °C (-40 °F to +212 °F)
- Electrical Connection:** 6-32 screw terminals
- Housing:** Brass—White or Black Nickel Plated
- Terminals:** Brass — Hot solder dip
per Mil-F-14072D, M258, Type II
- Lens Material:** Transparent Polycarbonate (UL 94V-0)
- Lock Washer:** Phosphor Bronze — White or Black Nickel Plated
- Nut:** Brass—White or Black Nickel Plated



Ordering Information

556 Series — Standard Constant Intensity

Part Number Guide 556 Series RoHS Compliant

5 5 6 - X X X A - X 0 4 F

| Lens Style | | Color | | Voltage | Plating | |
|------------|---|--------|-----|-------------|---------|-------|
| Flat | 1 | Red | 5 0 | A 18-48 VDC | 2 | Black |
| Domed | 3 | Green | 6 0 | | 3 | White |
| | | Yellow | 7 0 | | | |

Flat Lens

Domed Lens

| White Nickel Plating | Black Nickel Plating | White Nickel Plating | Black Nickel Plating | Color | Voltage (vdc) | Typ Current (mA) | Typical Intensity (mcd) |
|----------------------|----------------------|----------------------|----------------------|--------|---------------|------------------|-------------------------|
| 556-150A-304F | 556-150A-204F | 556-350A-304F | 556-350A-204F | Red | 18-48 | 7.3-8.2 | 1470-1500 |
| 556-160A-304F | 556-160A-204F | 556-360A-304F | 556-360A-204F | Green | | 6.5-7.4 | 200-230 |
| 556-170A-304F | 556-170A-204F | 556-370A-304F | 556-370A-204F | Yellow | | 8.0-8.9 | 630-660 |

Dialight reserves the right to make changes at any time in order to supply the best product possible. The most current version of this document will always be available at: www.dialightsignalsandcomponents.com

Warranty Statement: Except for the warranty expressly provided for [herein/above/below], Dialight disclaims any and all other warranties, express or implied, including, without limitation, any warranties of merchantability, fitness for a particular purpose, title, and noninfringement.



Certifications & Ratings

- UL 1598 (E156890)
- IP66
- NEMA 4X
- RoHS Compliant w/6C exemption

Application

The 556 Series LED Panel Mount Indicators incorporate both InGaN and AlInGaP technologies to offer maximum light output. This is a highly durable package, designed to withstand outdoor applications susceptible to rain, dust and sunlight:

- Instrument panels
- Safety applications
- UL 508 panel applications
- Agricultural controls
- Power Generators
- Environmental Monitoring Equipment
- Ground support vehicles
- Pump system controllers
- Transportation - rail, bus, airline
- Lane control
- Display lighting
- ...and many more!

Mechanical information

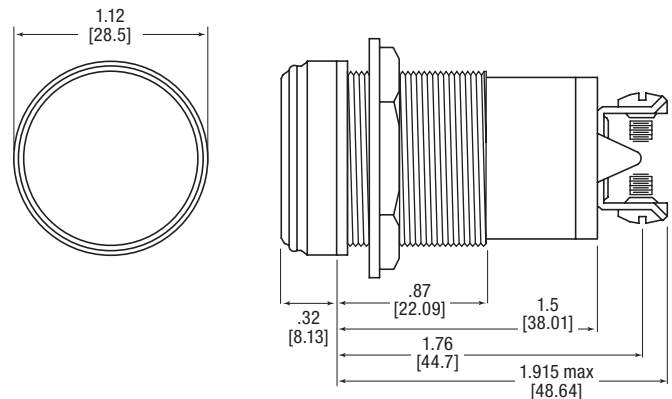
Mounting Hole Size: 1.0" (25.4 mm)
Max Panel Thickness: 0.600" (15.24 mm)
Mounting Torque: 40 in-lbs

Specifications

Voltage Options: 12 to 125VDC, and 125, 230VAC (no resistor required)
Operating Temp: -30 °C to +85 °C (-22 °F to +185 °F)
Storage Temp: -40 °C to +100 °C (-40 °F to +212 °F)
Electrical Connection: 6-32 screw terminals
Housing: Brass—White or Black Nickel Plated
Terminals: Brass — Hot solder dip per Mil-F-14072D, M258, Type II
Lens Material: Clear UV Stabilized Polycarbonate (UL 94V-0)
Lock Washer: Phosphor Bronze — White or Black Nickel Plated
Nut: Brass—White or Black Nickel Plated

Dimensions

inches [mm]



Ordering Information

556 Series — Daylight Viewable

Part Number Guide 556 Series

RoHS Compliant

| | | | | | | | | | | | | |
|---|---|---|---|--------------|---|---|---|----------------|---|--------------------|---|---|
| 5 | 5 | 6 | - | 1 | X | X | X | - | X | 1 | 4 | F |
| | | | | Color | | | | Voltage | | | | |
| | | | | | | | | 3 | | 12 vdc | | |
| | | | | 5 0 | | 4 | | 4 | | 24 vdc | | |
| | | | | 6 0 | | 8 | | 8 | | 37.5 vdc | | |
| | | | | 6 8 | | 6 | | 6 | | 72 vdc | | |
| | | | | 7 0 | | 7 | | 7 | | 125 vdc* | | |
| | | | | 8 0 | | 5 | | 5 | | 125 vac* | | |
| | | | | 9 0 | | 9 | | 9 | | 230 vdc* | | |
| | | | | | | | | | | Plating | | |
| | | | | | | | | | | 2 Black | | |
| | | | | | | | | | | 3 White | | |
| | | | | | | | | | | *white nickel only | | |

| White Nickel | Black Nickel | Color | Voltage | Typ Current (mA) | Typical Intensity (mcd) |
|---------------|---------------|--------|----------|------------------|-------------------------|
| 556-1503-314F | 556-1503-214F | Red | 12 VDC | 95 | 27,250 |
| 556-1603-314F | 556-1603-214F | Green | | 60 | 71,500 |
| 556-1683-314F | 556-1683-214F | Cyan | | 60 | 48,250 |
| 556-1703-314F | 556-1703-214F | Yellow | | 95 | 17,500 |
| 556-1803-314F | 556-1803-214F | Blue | | 60 | 24,000 |
| 556-1903-314F | 556-1903-214F | Orange | | 95 | 22,250 |
| 556-1504-314F | 556-1504-214F | Red | 24 VDC | 46 | 27,250 |
| 556-1604-314F | 556-1604-214F | Green | | 32 | 71,500 |
| 556-1684-314F | 556-1684-214F | Cyan | | 32 | 48,250 |
| 556-1704-314F | 556-1704-214F | Yellow | | 46 | 17,500 |
| 556-1804-314F | 556-1804-214F | Blue | | 32 | 24,000 |
| 556-1904-314F | 556-1904-214F | Orange | | 46 | 22,250 |
| 556-1508-314F | 556-1508-214F | Red | 37.5 VDC | 20 | 26,750 |
| 556-1608-314F | 556-1608-214F | Green | | 16 | 80,000 |
| 556-1708-314F | 556-1708-214F | Yellow | | 20 | 18,000 |
| 556-1506-314F | 556-1506-214F | Red | 72 VDC | 18.5 | 20,500 |
| 556-1606-314F | 556-1606-214F | Green | | 16 | 65,500 |
| 556-1706-314F | 556-1706-214F | Yellow | 20 | 15,000 | |
| 556-1507-314F | — | Red | 125 VDC | 10 | 14,000 |
| 556-1607-314F | — | Green | | | 44,750 |
| 556-1707-314F | — | Yellow | | | 8,250 |
| 556-1505-314F | — | Red | 125 VAC | 10.5 | 13,500 |
| 556-1605-314F | — | Green | | 9.5 | 43,750 |
| 556-1685-314F | — | Cyan | | 9.5 | 32,000 |
| 556-1705-314F | — | Yellow | | 10.5 | 9,000 |
| 556-1805-314F | — | Blue | | 9.5 | 16,000 |
| 556-1905-314F | — | Orange | | 10.5 | 11,000 |
| 556-1509-314F | — | Red | 230 VAC | 7 | 13,500 |
| 556-1609-314F | — | Green | | | 43,750 |
| 556-1709-314F | — | Yellow | | | 9,000 |
| 556-1809-314F | — | Blue | | | 16,000 |
| 556-1909-314F | — | Orange | | | 11,000 |

able at: www.dialightsignalsandcomponents.com
), without limitation, any warranties of merchantability, fitness for a

556 Series Daylight Viewable Panel Mount Indicators Constant Intensity, 18–48 VDC



Certifications & Ratings

- IP66
- NEMA 4X
- RoHS Compliant w/6C exemption

Application

The 556 Series LED Panel Mount Indicators incorporate both InGaN and AlInGaP technologies to offer maximum light output. This is a highly durable package, designed to withstand outdoor applications susceptible to rain, dust and sunlight:

- Instrument panels
 - Safety applications
 - UL 508 panel applications
 - Agricultural controls
 - Power Generators
 - Environmental Monitoring Equipment
 - Ground support vehicles
 - Pump system controllers
 - Transportation - rail, bus, airline
 - Lane control
 - Display lighting
- ...and many more!

Mechanical information

Mounting Hole Size: 1.0" (25.4 mm)
Max Panel Thickness: 0.600" (15.24 mm)
Mounting Torque: 40 in-lbs

Specifications

Voltage Options: 18–48 VDC
 (internal resistor included)

Operating Temp: -30 °C to +85 °C (-22 °F to +185 °F)
Storage Temp: -40 °C to +100 °C (-40 °F to +212 °F)

Electrical Connection: 6-32 screw terminals

Housing: Brass—White or Black Nickel Plated

Terminals: Brass — Hot solder dip
 per Mil-F-14072D, M258, Type II

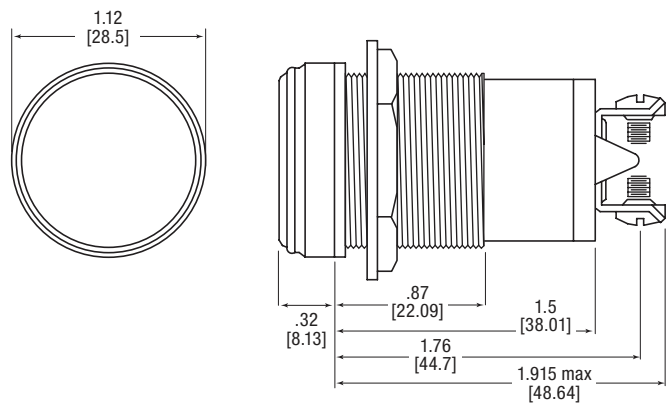
Lens Material: Clear UV Stabilized Polycarbonate
 (UL 94V-0)

Lock Washer: Phosphor Bronze — White or Black
 Nickel Plated

Nut: Brass—White or Black Nickel Plated

Dimensions

inches [mm]



Ordering Information

556 Series — Daylight Viewable Constant Intensity

Part Number Guide 556 Series RoHS Compliant

5 5 6 - 1 X X A - X 1 4 F

| Color | 5 | 0 |
|--------|---|---|
| Red | 5 | 0 |
| Green | 6 | 0 |
| Yellow | 7 | 0 |

Voltage
A 18–48 vdc

Plating
2 Black
3 White

| White Nickel | Black Nickel | Color | Voltage (vdc) | Typ Current (mA) | Typical Intensity (mcd) |
|---------------|---------------|--------|---------------|------------------|-------------------------|
| 556-150A-314F | 556-150A-214F | Red | 18–48 | 7.3–8.2 | 1470–1500 |
| 556-160A-314F | 556-160A-214F | Green | | 6.5–7.4 | 200–230 |
| 556-170A-314F | 556-170A-214F | Yellow | | 8.0–8.9 | 630–660 |

Dialight reserves the right to make changes at any time in order to supply the best product possible. The most current version of this document will always be available at: www.dialightsignalsandcomponents.com

Warranty Statement: Except for the warranty expressly provided for [herein/above/below], Dialight disclaims any and all other warranties, express or implied, including, without limitation, any warranties of merchantability, fitness for a particular purpose, title, and noninfringement.



Certifications & Ratings

- UL 1598 (E156890)
- IP66
- NEMA 4X
- RoHS Compliant w/6C exemption
- IK07

Application

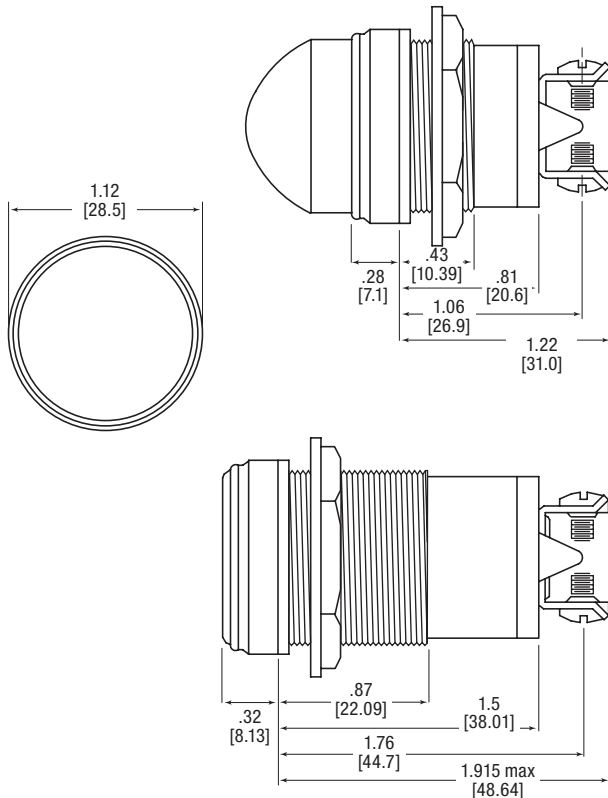
The 556 Series LED Panel Mount Indicators incorporate both InGaN and AlInGaP technologies to offer maximum light output. This is a highly durable package, designed to withstand outdoor applications susceptible to rain, dust and sunlight. In addition, the Class I, Division 2 rating allows for use in hazardous environments common to the oil and gas, mining, and chemical industries:

- Instrument panels
- Safety applications
- UL 508 panel applications
- Petrochemical applications
- Environmental Monitoring Equipment specifications
- Pump system controllers
- Mining application
- Oil Refineries
- Agricultural controls
- Power generators

... and many more!

Dimensions

inches [mm]



Mechanical information

Mounting Hole Size: 1.0" (25.4 mm)
Max Panel Thickness: Flat: 0.600" (15.24 mm)
 Dome: 0.187" (4.27 mm)

Mounting Torque: 40 in-lbs

Specifications

Voltage Options: 12 to 125VDC, and 125, 230VAC (no resistor required)
Operating Temp: -30°C to +85°C (-22°F to +185°F)
Storage Temp: -40°C to +100°C (-40°F to +212°F)
Electrical Connection: 6-32 screw terminals
Housing: Brass—White or Black Nickel Plated
Terminals: Brass — Hot solder dip per Mil-F-14072D, M258, Type II
Lens Material: Transparent Polycarbonate (UL 94V-0)
Lock Washer: Phosphor Bronze — White or Black Nickel Plated
Nut: Brass—White or Black Nickel Plated



Ordering Information

556 Series — Class 1, Div 2, Flat Lens

Part Number Guide 556 Series RoHS Compliant

| | | | | | | | | | | | | |
|-------------------|---|---|---|--------------|---|---|---|--------------------|---|----------------|---|---|
| 5 | 5 | 6 | - | X | X | X | X | - | X | 2 | 4 | F |
| Lens Style | | | | Color | | | | Voltage | | | | |
| Flat | | | | 1 | | | | 3 | | | | |
| Domed | | | | 3 | | | | 12VDC | | | | |
| | | | | ○ White | | | | 0 0 | | | | |
| | | | | ● Red | | | | 5 0 | | | | |
| | | | | ● Green | | | | 6 0 | | | | |
| | | | | ● Cyan | | | | 6 8 | | | | |
| | | | | ● Yellow | | | | 7 0 | | | | |
| | | | | ● Blue | | | | 8 0 | | | | |
| | | | | ● Orange | | | | 9 0 | | | | |
| | | | | | | | | 24VDC | | | | |
| | | | | | | | | 37.5VDC | | | | |
| | | | | | | | | 72VDC | | | | |
| | | | | | | | | 125VDC* | | | | |
| | | | | | | | | 125VAC* | | | | |
| | | | | | | | | 230VDC* | | | | |
| | | | | | | | | *white nickel only | | | | |
| | | | | | | | | | | Plating | | |
| | | | | | | | | | | 2 Black | | |
| | | | | | | | | | | 3 White | | |

Flat Lens

| White Nickel | Black Nickel | Color | Voltage | Typ Current (mA) | Typical Intensity (mcd) |
|---------------|---------------|----------|----------|------------------|-------------------------|
| 556-1003-324F | 556-1003-224F | ○ White | 12 VDC | 60 | 61,000 |
| 556-1503-324F | 556-1503-224F | ● Red | | 95 | 22,000 |
| 556-1603-324F | 556-1603-224F | ● Green | | 60 | 41,500 |
| 556-1683-324F | 556-1683-224F | ● Cyan | | 60 | 37,000 |
| 556-1703-324F | 556-1703-224F | ● Yellow | | 95 | 13,500 |
| 556-1803-324F | 556-1803-224F | ● Blue | | 60 | 13,000 |
| 556-1903-324F | 556-1903-224F | ● Orange | | 95 | 11,500 |
| 556-1004-324F | 556-1004-224F | ○ White | 24 VDC | 32 | 61,000 |
| 556-1504-324F | 556-1504-224F | ● Red | | 46 | 22,000 |
| 556-1604-324F | 556-1604-224F | ● Green | | 32 | 41,500 |
| 556-1684-324F | 556-1684-224F | ● Cyan | | 32 | 37,000 |
| 556-1704-324F | 556-1704-224F | ● Yellow | | 46 | 13,500 |
| 556-1804-324F | 556-1804-224F | ● Blue | | 32 | 13,000 |
| 556-1904-324F | 556-1904-224F | ● Orange | 46 | 11,500 | |
| 556-1508-324F | 556-1508-224F | ● Red | 37.5 VDC | 20 | 14,000 |
| 556-1608-324F | 556-1608-224F | ● Green | | 16 | 54,000 |
| 556-1708-324F | 556-1708-224F | ● Yellow | | 20 | 12,750 |
| 556-1006-324F | 556-1006-224F | ○ White | 72 VDC | 18.5 | 15,000 |
| 556-1506-324F | 556-1506-224F | ● Red | | 18.5 | 45,500 |
| 556-1606-324F | 556-1606-224F | ● Green | | 16 | 9,000 |
| 556-1706-324F | 556-1706-224F | ● Yellow | | 20 | 15,000 |
| 556-1806-324F | 556-1806-224F | ● Blue | | 18.5 | 36,000 |
| 556-1007-324F | — | ○ White | 125 VDC | 10.5 | 8,000 |
| 556-1507-324F | — | ● Red | | 10 | 27,000 |
| 556-1607-324F | — | ● Green | | 10 | 5,750 |
| 556-1707-324F | — | ● Yellow | | 10 | 35,000 |
| 556-1005-324F | — | ○ White | 125 VAC | 11 | 8,000 |
| 556-1505-324F | — | ● Red | | 10.5 | 29,000 |
| 556-1605-324F | — | ● Green | | 9.5 | 24,750 |
| 556-1685-324F | — | ● Cyan | | 9.5 | 5,750 |
| 556-1705-324F | — | ● Yellow | | 10.5 | 7,750 |
| 556-1805-324F | — | ● Blue | | 9.5 | 6,000 |
| 556-1905-324F | — | ● Orange | | 10.5 | 35,000 |
| 556-1009-324F | — | ○ White | 230 VAC | 6 | 8,000 |
| 556-1509-324F | — | ● Red | | 7 | 29,000 |
| 556-1609-324F | — | ● Green | | 7 | 5,750 |
| 556-1709-324F | — | ● Yellow | | 7 | 7,750 |
| 556-1809-324F | — | ● Blue | | 7 | 6,000 |
| 556-1909-324F | — | ● Orange | 7 | 3100 | |

Products may be available at: www.dialightsignalsandcomponents.com
 including, without limitation, any warranties of merchantability, fitness for a

Ordering Information

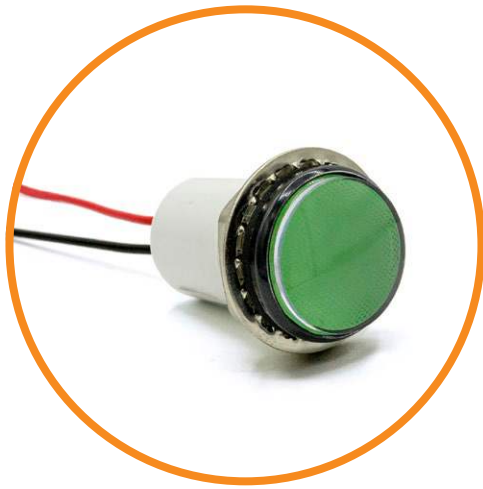
556 Series — Class 1, Div 2, Domed Lens

Domed Lens

| White Nickel | Black Nickel | Color | Voltage | Typ Current (mA) | Typical Intensity (mcd) |
|---------------|---------------|----------|----------|------------------|-------------------------|
| 556-3003-324F | 556-3003-224F | ○ White | 12 VDC | 60 | 17,000 |
| 556-3503-324F | 556-3503-224F | ● Red | | 95 | 14,000 |
| 556-3603-324F | 556-3603-224F | ● Green | | 60 | 14,000 |
| 556-3683-324F | 556-3683-224F | ● Cyan | | 60 | 11,500 |
| 556-3703-324F | 556-3703-224F | ● Yellow | | 95 | 4,000 |
| 556-3803-324F | 556-3803-224F | ● Blue | | 60 | 12,000 |
| 556-3903-324F | 556-3903-224F | ● Orange | | 95 | 3,500 |
| 556-3004-324F | 556-3004-224F | ○ White | 24 VDC | 32 | 17,000 |
| 556-3504-324F | 556-3504-224F | ● Red | | 46 | 14,000 |
| 556-3604-324F | 556-3604-224F | ● Green | | 32 | 14,000 |
| 556-3684-324F | 556-3684-224F | ● Cyan | | 32 | 11,500 |
| 556-3704-324F | 556-3704-224F | ● Yellow | | 46 | 4,000 |
| 556-3804-324F | 556-3804-224F | ● Blue | | 32 | 12,000 |
| 556-3904-324F | 556-3904-224F | ● Orange | | 46 | 3,500 |
| 556-3508-324F | 556-3508-224F | ● Red | 37.5 VDC | 20 | 4,750 |
| 556-3608-324F | 556-3608-224F | ● Green | | 16 | 15,750 |
| 556-3708-324F | 556-3708-224F | ● Yellow | | 20 | 3,250 |
| 556-3006-324F | 556-3006-224F | ○ White | 72 VDC | 18.5 | 4,200 |
| 556-3506-324F | 556-3506-224F | ● Red | | 18.5 | 14,250 |
| 556-3606-324F | 556-3606-224F | ● Green | | 16 | 2,600 |
| 556-3706-324F | 556-3706-224F | ● Yellow | | 20 | 4,500 |
| 556-3806-324F | 556-3806-224F | ● Blue | | 18.5 | 10,250 |
| 556-3007-324F | — | ○ White | 125 VDC | 10.5 | 2,500 |
| 556-3507-324F | — | ● Red | | 10 | 8,250 |
| 556-3607-324F | — | ● Green | | 10 | 1,500 |
| 556-3707-324F | — | ● Yellow | | 10 | 10,250 |
| 556-3005-324F | — | ○ White | 125 VAC | 11 | 2,500 |
| 556-3505-324F | — | ● Red | | 10.5 | 9,500 |
| 556-3605-324F | — | ● Green | | 9.5 | 6,500 |
| 556-3685-324F | — | ● Cyan | | 9.5 | 1,750 |
| 556-3705-324F | — | ● Yellow | | 10.5 | 3,000 |
| 556-3805-324F | — | ● Blue | | 9.5 | 1,750 |
| 556-3905-324F | — | ● Orange | | 10.5 | 10,250 |
| 556-3009-324F | — | ○ White | 230 VAC | 6 | 2,500 |
| 556-3509-324F | — | ● Red | | 7 | 9,500 |
| 556-3609-324F | — | ● Green | | 7 | 1,750 |
| 556-3709-324F | — | ● Yellow | | 7 | 3,000 |
| 556-3809-324F | — | ● Blue | | 7 | 1,750 |
| 556-3909-324F | — | ● Orange | | 7 | 3100 |

Dialight reserves the right to make changes at any time in order to supply the best product possible. The most current version of this document will always be available at: www.dialightsignalsandcomponents.com

Warranty Statement: Except for the warranty expressly provided for [herein/above/below], Dialight disclaims any and all other warranties, express or implied, including, without limitation, any warranties of merchantability, fitness for a particular purpose, title, and noninfringement.



Certifications & Ratings

- RoHS Compliant
- Watertight to Mil-L-3661B spec

Application

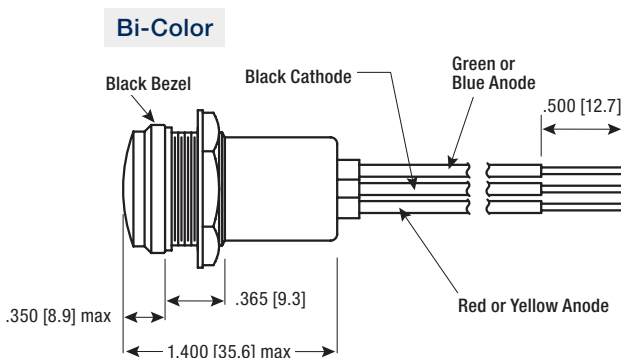
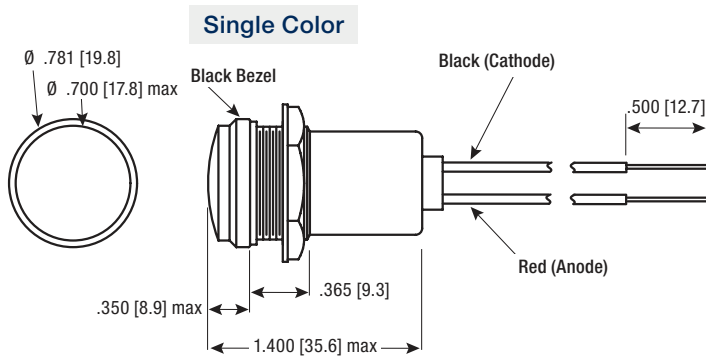
The 557 Series LED Panel Mount Indicators incorporate both InGaN and AlInGaP technologies to offer higher intensities. This is a highly durable package, designed to withstand outdoor applications susceptible to rain, dust, and sunlight.

- Instrument panels
- Safety applications
- Transportation—rail, bus, airline
- Vending, gaming
- Lane control

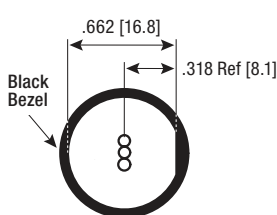
... and many more!

Dimensions

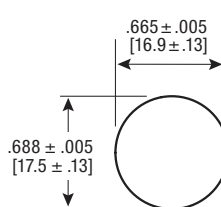
inches [mm]



Back View of Housing



Recommended Mounting Hole



Mechanical information

Mounting Hole Size: 0.687" (17.46 mm)

Max Panel Thickness: 0.156" (3.96 mm)

Mounting Torque: 15 in-lbs torque

Specifications

Voltage Options: 5, 12, 24, and 28 VDC (bi-color: 5 VDC)

Operating Temp: -25 °C to +85 °C
(bi-color: -30 °C to +80 °C)

Storage Temp: -30 °C to +100 °C
(bi-color: -40 °C to +85 °C)

Electrical Connection: 24 AWG Wire Leads

Housing: White Polycarbonate

Lens Material: Transparent Polycarbonate (UL 94V-0)

Wire Leads: 5.5"

Lock Washer: Phosphor Bronze—White Nickel Plated

Nut: Brass—White Nickel Plated



Ordering Information

557 Series

| Part Number Guide | | | | | | | RoHS Compliant | | | | | |
|-------------------|---|---|---------------------------|--------|---|---|----------------|---|---|---|---|---|
| 5 | 5 | 7 | - | 1 | X | X | X | - | 2 | 0 | 3 | F |
| Color | | | | | | | Voltage | | | | | |
| ○ White | 0 | 0 | | | | | | | | | | |
| ● Red | 5 | 0 | | | | | | | | | | |
| ● Green | 6 | 0 | 2 | 5VDC | | | | | | | | |
| ● Yellow | 7 | 0 | 3 | 12VDC* | | | | | | | | |
| ● Blue | 8 | 0 | 4 | 24VDC* | | | | | | | | |
| ● Red/Green | 4 | 1 | 5 | 28VDC* | | | | | | | | |
| ● Red/Blue | 4 | 2 | <i>*single color only</i> | | | | | | | | | |
| ● Yellow/Green | 4 | 3 | | | | | | | | | | |
| ● Yellow/Blue | 4 | 4 | | | | | | | | | | |
| ● Yellow/Red | 4 | 5 | | | | | | | | | | |

| Part Number | Color | Voltage (VDC) | Current (mA) | Typical Intensity (mcd) | |
|---------------|------------------|---------------|--------------|-------------------------|------|
| 557-1002-203F | ○ White | 5 | 16 | 5350 | |
| 557-1502-203F | ● Red | | 80 | 800 | |
| 557-1602-203F | ● Green | | 16 | 4900 | |
| 557-1702-203F | ● Yellow | | 80 | 1550 | |
| 557-1802-203F | ● Blue | | 16 | 1200 | |
| 557-1412-203F | ● Red / Green | | 70 / 16 | 720 / 1800 | |
| 557-1422-203F | ● Red / Blue | | 70 / 16 | 625 / 425 | |
| 557-1432-203F | ● Yellow / Green | | 70 / 16 | 585 / 1700 | |
| 557-1442-203F | ● Yellow / Blue | | 70 / 16 | 635 / 445 | |
| 557-1452-203F | ● Yellow / Red | | 70 / 20 | 650 / 350 | |
| 557-1003-203F | ○ White | | 12 | 16 | 5350 |
| 557-1503-203F | ● Red | | | 20 | 800 |
| 557-1603-203F | ● Green | | | 16 | 4900 |
| 557-1703-203F | ● Yellow | | | 20 | 1550 |
| 557-1803-203F | ● Blue | 16 | | 1200 | |
| 557-1005-203F | ○ White | 24 | | 16 | 5350 |
| 557-1505-203F | ● Red | | 20 | 800 | |
| 557-1605-203F | ● Green | | 16 | 4900 | |
| 557-1705-203F | ● Yellow | | 20 | 1550 | |
| 557-1805-203F | ● Blue | | 16 | 1200 | |
| 557-1604-203F | ● Green | | 28 | 16 | 4900 |
| 557-1704-203F | ● Yellow | 20 | | 1550 | |
| 557-1804-203F | ● Blue | 16 | | 1200 | |

Dialight reserves the right to make changes at any time in order to supply the best product possible. The most current version of this document will always be available at: www.dialightsignalsandcomponents.com

Warranty Statement: Except for the warranty expressly provided for [herein/above/below], Dialight disclaims any and all other warranties, express or implied, including, without limitation, any warranties of merchantability, fitness for a particular purpose, title, and noninfringement.



Certifications & Ratings

- RoHS Compliant

Application

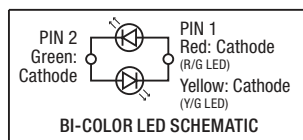
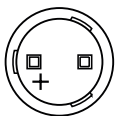
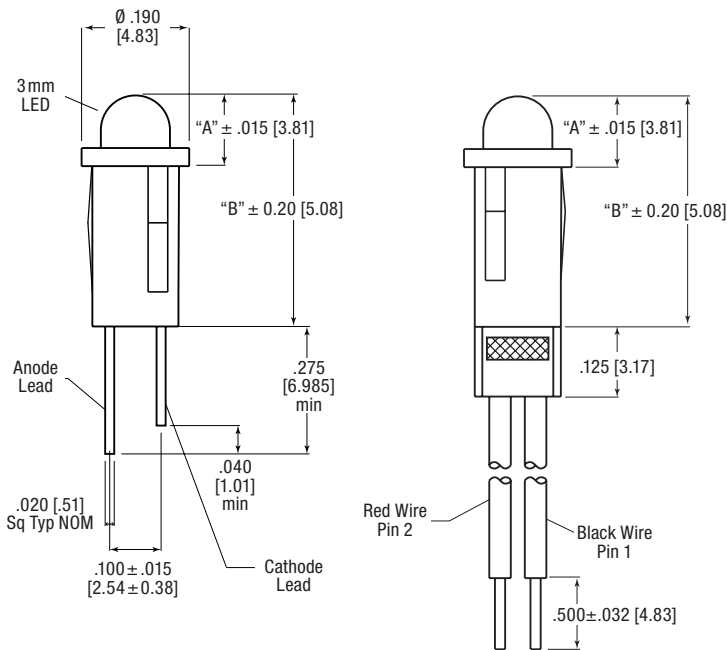
Dialight's 558 series LED panel mount indicator is available with a variety of LEDs including AlInGaP and InGaN technology for high brightness applications, bi-color and integral resistors. These indicators are designed for a variety of applications such as:

- Fan tray assemblies
- Data center infrastructure (servers and storage)
- Networking equipment (switches and routers)
- Storage networking hardware (fiber channel host bus adapter cards)
- Next-Gen wireless infrastructure
- Electronic test & measurement instruments
- Communications testing equipment

... and many more!

Dimensions

inches [mm]



Mechanical information

- Mounting Hole Size:** 0.155–0.158" (3.94–4.01 mm)
- Max Panel Thickness:** 0.031–0.062" (.787–1.57 mm)
- Mounting Torque:** N / A

Specifications

- Voltage Options:** 1.8–3.3VDC typical, 5VDC typical (resistor included)
- Operating Temp:** See table
- Storage Temp:** -55°C to +100°C (-67°F to +212°F)
- Electrical Connection:** Straight terminals for wire wrapping or 26 AWG lead wire
- Housing:** Valox UL94V-0 and enhances LED contrast
- Connectors:** Available upon request
- Possible Connectors:** Samtec IPD1-05-S-K
- Terminals:** Available upon request
- Possible Terminals:** Samtec CC79L-2630-01-S; AMP 1-104480-3



Ordering Information

558 Series

Part Number Guide

RoHS Compliant

| | | | | | | | | | | | | |
|---|---|---|---|---|---|---|---|---|---------------------------------------|---|------------------|---|
| 5 | 5 | 8 | - | X | X | X | X | - | 0 | X | X | F |
| | | | | | | | | | LED Code <i>(see below)</i> | | Wire Code | |
| | | | | | | | | | Standard | | 0 | |
| | | | | | | | | | PVC Free | | 2 | |
| | | | | | | | | | Termination Code | | | |
| | | | | | | | | | Straight Terminals | | 1 | |
| | | | | | | | | | 26 AWG 6" wire leads | | 3 | |
| | | | | | | | | | 26 AWG 14" wire leads | | 7 | |

| LED Code | Color | Peak Wavelength (nm) | Intensity Typ. (mcd) | If Typ. (mA) | Vf Typ. (VDC) | Viewing Angle | Max DC Forward Current (mA) | Type | Operating Temp | DIM "A" | DIM "B" |
|----------|-------------------|----------------------|----------------------|--------------|------------------|---------------|-----------------------------|---------------------------|-------------------|---------|---------|
| 0102 | ● Red | 635 | 29 | 12 | 5 | 60 | 15 | 5 V Integral Resistor | -40 °C to +85 °C | 0.101 | 0.381 |
| 0202 | ● Green | 565 | 19 | 12 | 5 | 60 | 15 | | | | |
| 0302 | ● Yellow | 585 | 12.6 | 12 | 5 | 60 | 15 | | | | |
| 3001 | ●● Red / Green | 630 / 565 | 5.6 / 8.7 @10 mA | 10 / 20 | 1.9 / 2.0 @20 mA | 200 | 30 / 30 | Bi-Color | -55 °C to +100 °C | 0.101 | 0.381 |
| 3101 | ●● Red / Green | 660 / 565 | 12.6 / 3.7 | 20 | 1.6 / 2.1 | 200 | 40 / 30 | | | | |
| 3201 | ●● Yellow / Green | 585 / 565 | 5.8 / 12.3 | 10 | 2.1 / 2.1 | 80 | 20 / 30 | | | | |
| 0101 | ● Red | 635 | 8.7 | 10 | 2 | 60 | 30 | High Efficiency Diffused | -25 °C to +85 °C | 0.111 | 0.391 |
| 0201 | ● Green | 565 | 12.6 | 10 | 2.1 | 60 | 30 | | | | |
| 0301 | ● Yellow | 585 | 8.7 | 10 | 2.1 | 60 | 20 | | | | |
| 0401 | ● Orange | 600 | 7 | 10 | 1.9 | 60 | 25 | Low Current Diffused | -55 °C to +85 °C | 0.101 | 0.381 |
| 1801 | ● Red | 660 | 60 | 20 | 1.8 | 60 | 40 | | -55 °C to +100 °C | | |
| 0803 | ● Blue | 468 | 57 | 10 | 3.2 | 100 | 30 | | -40 °C to +100 °C | | |
| 1101 | ● Red | 635 | 2.4 | 2 | 1.7 | 60 | 7 | Non-Tinted / Non-Diffused | -55 °C to +100 °C | 0.107 | 0.387 |
| 1201 | ● Yellow | 585 | 1.4 | 2 | 1.8 | 60 | 7 | | | | |
| 1301 | ● Green | 565 | 1.6 | 2 | 1.9 | 60 | 7 | | | | |
| 0501 | ● Green | 565 | 70 | 20 | 2.1 | 45 | 30 | Non-Tinted / Non-Diffused | -40 °C to +100 °C | 0.101 | 0.381 |
| 0601 | ● Yellow | 592 | 200 | 20 | 1.9 | 45 | 50 | | -40 °C to +100 °C | | |
| 0701 | ● Red | 660 | 170 | 20 | 1.8 | 45 | 40 | | -40 °C to +100 °C | | |
| 6003 | ● Blue | 468 | 520 | 20 | 3.3 | 45 | 30 | Tinted / Non-Diffused | -40 °C to +85 °C | 0.101 | 0.381 |
| 6403 | ○ White | Y=.31 Y=.32 | 3000 | 20 | 3.3 | 45 | 30 | | | | |
| 1501 | ● Green | 565 | 40 | 10 | 2.1 | 45 | 30 | | | | |
| 1601 | ● Yellow | 585 | 70 | 20 | 2.1 | 45 | 20 | Tinted / Non-Diffused | -55 °C to +100 °C | 0.101 | 0.381 |
| 1701 | ● Red | 660 | 170 | 20 | 1.8 | 45 | 40 | | -40 °C to +100 °C | | |
| 6203 | ● Green | 518 | 85 | 2 | 2.1 | 100 | 30 | White Diffused | -45 °C to +85 °C | | |

Dialight reserves the right to make changes to any of the information provided herein without notice. The information provided herein is for informational purposes only and does not constitute a contract. The information provided herein is subject to change without notice. The information provided herein is for informational purposes only and does not constitute a contract. The information provided herein is subject to change without notice.



Certifications & Ratings

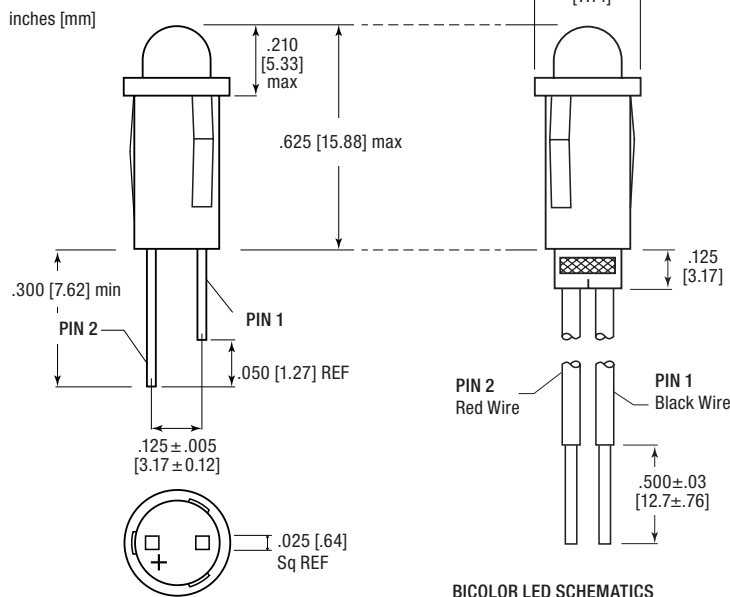
- RoHS compliant

Application

Dialight's 559 series LED panel mount indicator is available with a variety of LEDs including AlInGaP and InGaN technology for high brightness applications, bicolor and integral resistors.

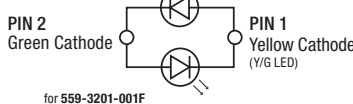
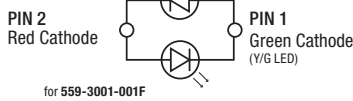
- Fan tray assemblies
- Data-center Infrastructure (Servers and Storage)
- Next-Gen Wireless Infrastructure
- Electronic Test & Measurement Instruments
- Communications Testing Equipment
- Hand held Devices
- ... and many more!

Dimensions

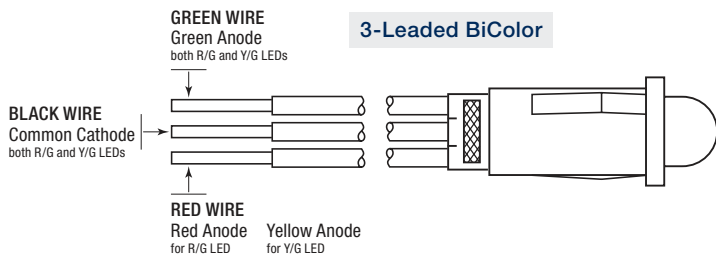


BICOLOR LED SCHEMATICS

SINGLE COLOR LED SCHEMATIC



3-Leaded BiColor



Mechanical Information

- Mounting Hole Size:** 0.249–0.252" (6.32–6.40 mm)
- Max Panel Thickness:** 0.031–0.062" (.787–1.57 mm)
- Mounting Torque:** N/A

Specifications

- Voltage Options:** 1.6–2.3 V DC typical (resistor required)
5, 12, 24V DC (no resistor required)
- Operating Temp:** See table
- Storage Temp:** -55 °C to +100 °C (-67 °F to +212 °F)
- Electrical Connection:** Straight terminals for wire wrapping or 24 AWG lead wire
- Housing:** Black — UL94V-0 and enhances LED contrast
- Wire Leads:** 6" or 14"
- Connectors:** Available upon request
- Possible Connectors:** Molex 50-57-9402
AMP 3-643814-3
- Terminals:** Available upon request
- Possible Terminals:** Molex 16-02-0069, 16-02-077,
AMP 42067-1



Part Number Guide

5 5 9 - X X X X - 0 X X F

LED Code (see below)

Wire Code

Termination Code

Standard

0

Straight Terminals

1

PVC Free

2

24 AWG 6" wire leads

3

24 AWG 14" wire leads

7

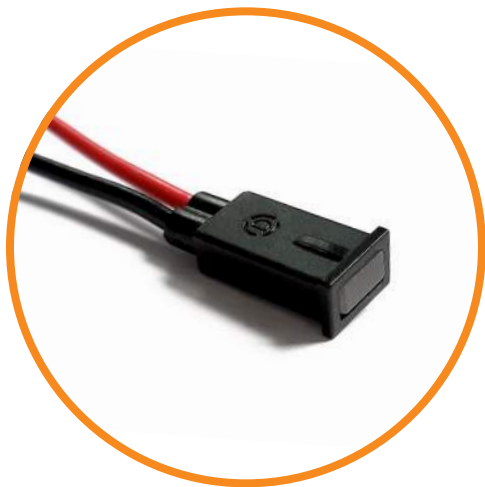
Ordering Information 559 Series

| LED Code | Color | Peak Wavelength (nm) | Intensity Typ. (mcd) | If Typ. (mA) | Vf Typ. (V DC) | Viewing Angle | Max DC Forward Current (mA) | Type | Operating Temp |
|----------|----------------|----------------------|----------------------|--------------|----------------|---------------|-----------------------------|---------------------------|-------------------|
| 5501 | Red | 635 | 125 | 20 | 2.2 | 24 | 30 | Non-Tinted / Non-Diffused | -55 °C to +100 °C |
| 5601 | Green | 565 | 120 | | 2.3 | 24 | 30 | | -20 °C to +100 °C |
| 5701 | Yellow | 583 | 140 | | 2.1 | 24 | 20 | | -55 °C to +100 °C |
| 5801 | Orange | 605 | 90 | | 2.2 | 20 | 50 | | -30 °C to +85 °C |
| 5901 | Yellow | 592 | 3100 | | 2 | 15 | 50 | | -40 °C to +100 °C |
| 6001 | Blue | 470 | 1500 | | 3.6 | 30 | 30 | | -30 °C to +85 °C |
| 6101 | Red | 635 | 2100 | | 1.9 | 15 | 50 | | -40 °C to +100 °C |
| 6201 | Green | 525 | 5000 | | 3.2 | 30 | 30 | | -30 °C to +85 °C |
| 6301 | Orange | 609 | 4000 | | 1.9 | 15 | 50 | | -40 °C to +100 °C |
| 6401 | White | X = .31 Y = .32 | 2500 | | 3.2 | 50 | 30 | | -30 °C to +85 °C |
| 1101 | Red | 635 | 2.3 | 2 | 1.7 | 50 | 7 | Low Current Diffused | -55 °C to +100 °C |
| 1201 | Yellow | 583 | 1.8 | | 1.9 | 50 | 7 | | |
| 1301 | Green | 565 | 1.8 | | 1.8 | 50 | 7 | | |
| 2101 | Red | 650 | 6.3 | 10 | 2.2 | 50 | 20 | Diffused | -25 °C to +85 °C |
| 2201 | Green | 563 | 10 | | 2.1 | 65 | 25 | | |
| 2301 | Yellow | 585 | 29 | | 1.9 | 50 | 20 | | |
| 2501 | Orange | 600 | 7 | | 1.9 | 60 | 30 | | |
| 5101 | Red | 650 | 34 | 20 | 2.1 | 50 | 25 | Diffused | -55 °C to +100 °C |
| 5201 | Green | 563 | 34 | | 2.2 | 50 | 25 | | |
| 5301 | Yellow | 585 | 34 | | 2.2 | 50 | 25 | | |
| 5401 | Orange | 610 | 34 | | 2.2 | 50 | 25 | | |
| 0102 | Red | 635 | 8 | 10 | 5 | 60 | 15 | 5V Integral Resistor | -40 °C to +85 °C |
| 0202 | Green | 565 | 8 | 12 | 5 | 60 | 15 | | -20 °C to +85 °C |
| 0302 | Yellow | 583 | 8 | 10 | 5 | 60 | 15 | | -40 °C to +85 °C |
| 0103 | Red | 635 | 8 | 13 | 12 | 60 | 15 | 12V Integral Resistor | -55 °C to +100 °C |
| 0203 | Green | 565 | 8 | | 12 | 60 | 15 | | -20 °C to +85 °C |
| 0303 | Yellow | 583 | 8 | | 12 | 60 | 15 | | -40 °C to +85 °C |
| 5904 | Yellow | 592 | 3100 | 20 | 24 | 15 | 50 | 24V Integral Resistor | -30 °C to +85 °C |
| 6104 | Red | 635 | 2100 | | 24 | 15 | 50 | | |
| 6204 | Green | 525 | 5000 | | 24 | 30 | 50 | | |
| 3001 | Red / Green | 660 / 565 | 90 / 40 | 10 | 1.8 / 2.1 | 60 | 40 / 30 | 2 leaded Bi-color | -55 °C to +100 °C |
| 3201 | Yellow / Green | 589 / 571 | 30 / 50 | | 2.1 / 2.1 | 50 | 20 | | -30 °C to +85 °C |
| 3501 | Red / Green | 635 / 565 | 5.0 / 8.0 | 10 | 2.1 / 2.3 | 65 | 30 | 3 leaded Bi-color | -20 °C to +85 °C |
| 3601 | Yellow / Green | 590 / 568 | 9 / 13.5 | | 2 / 2.1 | 65 | 30 | | |

Dialight reserves the right to make changes at any time in order to supply the best product possible. The most current version of this document will always be available at: www.dialightsignalsandcomponents.com

Warranty Statement: Except for the warranty expressly provided for [herein/above/below], Dialight disclaims any and all other warranties, express or implied, including, without limitation, any warranties of merchantability, fitness for a particular purpose, title, and noninfringement.

0.216 x 0.139" (5.49 x 3.53 mm) Mounting Hole



Certifications & Ratings

- RoHS compliant

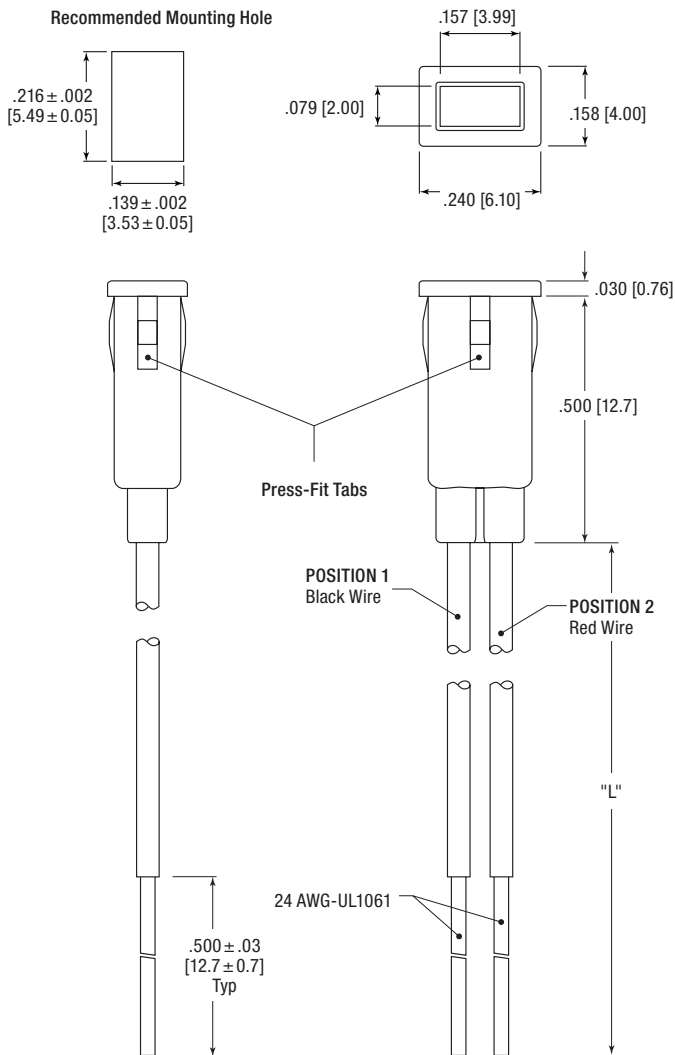
Application

Dialight's 559 series LED panel mount indicator is available with a variety of LEDs including AlInGaP and InGaN technology for high brightness applications, bicolor and integral resistors.

- Fan tray assemblies
- Data-center Infrastructure (Servers and Storage)
- Next-Gen Wireless Infrastructure
- Electronic Test & Measurement Instruments
- Communications Testing Equipment
- Hand held Devices
- ... and many more!

Dimensions

inches [mm]



Mechanical Information

Mounting Hole Size: 0.216 ± .002" x .139 ± .002"
(5.49 ± .05 mm x 3.53 ± .05 mm)

Max Panel Thickness: 0.031 – 0.062" (.787 – 1.57 mm)

Specifications

Voltage Options: 1.6 – 2.3 V DC typical
(resistor required)

Operating Temp: See table

Storage Temp: See table

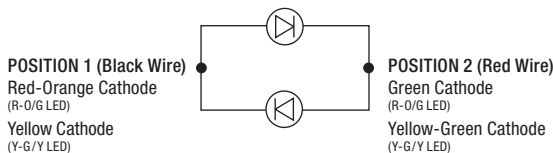
Electrical Connection: 24 AWG 14" lead wire

Housing: Black – UL94V-0 and enhances LED contrast

SINGLE COLOR LED SCHEMATIC



BICOLOR LED SCHEMATIC



Ordering Information 559 Rectangle Series

Part Number Guide

5 5 9 - 8 X X 0 - 0 0 7 F RoHS Compliant

| Color | | Termination |
|-------|---|--|
| 1 | 0 | 7 <small>24 AWG 14" wire leads</small> |
| 2 | 0 | |
| 3 | 0 | |
| 1 | 2 | |
| 3 | 2 | |

Color Legend:

- 1 0: Red
- 2 0: Green
- 3 0: Yellow
- 1 2: Red-Orange / Green
- 3 2: Yellow-Green / Yellow

| Part Number | Color | Peak Wavelength (nm) | Intensity Typ. (mcd) | If Typ. (mA) | Vf Typ. (V DC) | Viewing Angle | Max DC Forward Current (mA) | Operating Temp | Storage Temp |
|---------------|--------------------------|----------------------|----------------------|--------------|----------------|---------------|-----------------------------|-------------------|-------------------|
| 559-8100-007F | ● Red | 635 | 125 | 20 | 2.0 | 104 | 30 | -55 °C to +100 °C | -55 °C to +100 °C |
| 559-8200-007F | ● Green | 565 | 120 | | 2.1 | 104 | 30 | -20 °C to +100 °C | |
| 559-8300-007F | ● Yellow | 585 | 140 | | 2.1 | 104 | 20 | -55 °C to +100 °C | |
| 559-8120-007F | ●● Red-Orange / Green | 630 / 565 | 90 / 40 | | 2.1 | 140 | 30 | -55 °C to +100 °C | |
| 559-8320-007F | ●● Yellow-Green / Yellow | 570 / 591 | 30 / 50 | | 2.1 | 120 | 20 | -30 °C to +85 °C | |

Dialight reserves the right to make changes at any time in order to supply the best product possible. The most current version of this document will always be available at: www.dialightsignalsandcomponents.com

Warranty Statement: Except for the warranty expressly provided for [herein/above/below], Dialight disclaims any and all other warranties, express or implied, including, without limitation, any warranties of merchantability, fitness for a particular purpose, title, and noninfringement.



Certifications & Ratings

- RoHS compliant

Application

The 605 Series LED Panel Mount Indicators are designed for a variety of applications such as.

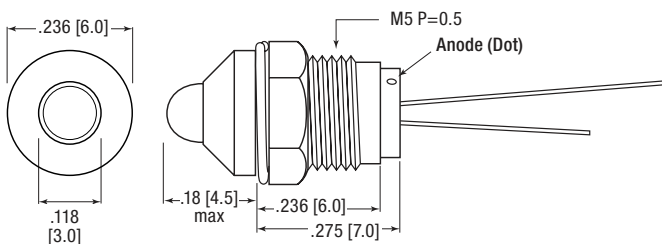
- Main power indication
- Remote power indication
- Status indication
- Maintenance and warning indication
- Instrumentation

... and many more!

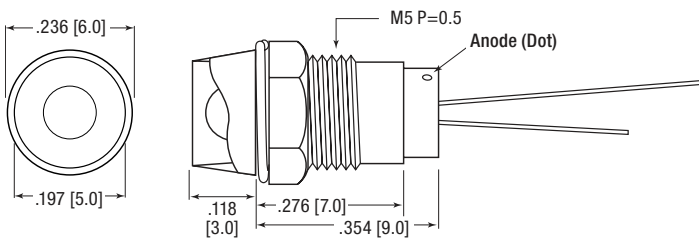
Dimensions

inches [mm]

Protruding



Recessed



Mechanical Information

- Mounting Hole Size:** 0.205" (5.2 mm)
- Max Panel Thickness:** 0.138" (3.5 mm)
- Mounting Torque:** 0.362 lbs/ft (5 kg/cm)

Specifications

- Voltage Options:** 2VDC (resistor required)
- Operating temp:** -25 °C to +85 °C (-13 °F to +185 °F)
- Storage Temp:** -25 °C to +100 °C (-13 °F to +212 °F)
- Electrical Connection:** Through hole leads
- Housing:** Brass—Chrome plated
- Terminals:** Copper—Nickel Plated
- Lock washer:** Iron—Nickel Plated
- Nut:** Brass—Nickel Plated

Ordering Information 605 Series

| Part Number | Color | Voltage (VDC) | Current (mA) | Typical Intensity (mcd) | LED Position | Finish |
|---------------|--------|---------------|--------------|-------------------------|--------------|--------|
| 605-1111-110F | Red | 2 | 15 | 60 | Protruding | Chrome |
| 605-1211-110F | Green | | | 70 | | |
| 605-1311-110F | Yellow | | | 50 | | |
| 605-2111-110F | Red | | | 60 | Recessed | |
| 605-2211-110F | Green | | | 70 | | |
| 605-2311-110F | Yellow | | | 50 | | |

particular purpose, title, and noninfringement.

www.dialightsignalsandcomponents.com
 mitation, any warranties of merchantability, fitn





Certifications & Ratings

- RoHS compliant

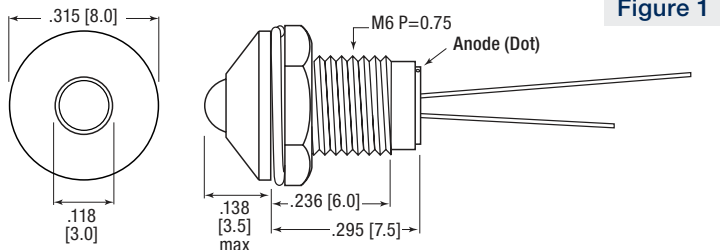
Application

The 606 Series LED Panel Mount Indicators are designed for a variety of applications such as:

- Main power indication
 - Remote power indication
 - Status indication
 - Maintenance and warning indication
 - Instrumentation
- ... and many more!

Dimensions

inches [mm]

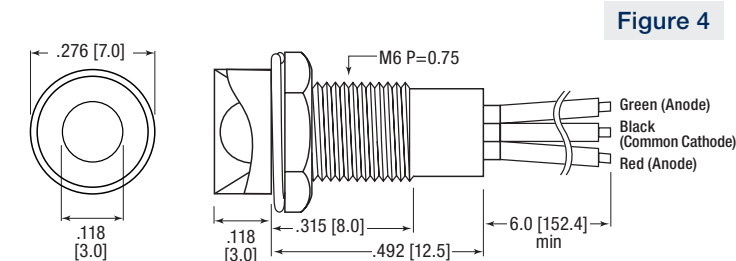
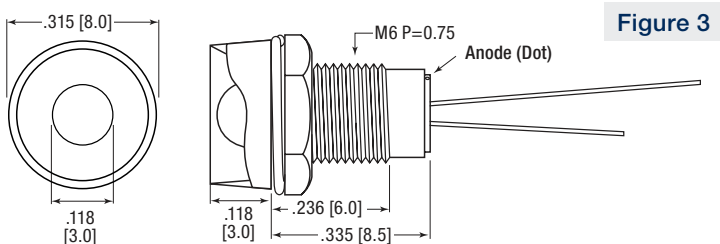
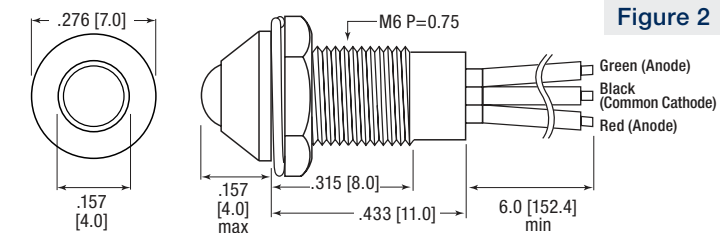


Mechanical Information

- Mounting Hole Size:** 0.244" (6.2 mm)
- Max Panel Thickness:** 0.138" (3.5 mm)
- Mounting Torque:** 0.362 lbs/ft (5 kg/cm) torque

Specifications

- Voltage Options:** 2 VDC (resistor required)
6 and 12 VDC / bi-color (no resistor required)
- Operating temp:** -25 °C to +85 °C (-13 °F to +185 °F)
- Storage Temp:** -25 °C to +100 °C (-13 °F to +212 °F)
- Electrical Connection:** Through hole and 24 AWG wire leads (bi-color only)
- Housing:** Brass—Chrome Plated
- Terminals:** Copper—Nickel Plated
- Wire Leads:** 6" on bi-color only
- Lock washer:** Iron—Nickel Plated
- Nut:** Brass—Nickel Plated



Ordering Information 606 Series

| Part Number | Color | Voltage (VDC) | Current (mA) | Typical Intensity* (mcd) | LED Position | Finish | Figure |
|---------------|---------------|---------------|--------------|--------------------------|--------------|--------|--------------------|
| 606-1111-110F | ● Red | 2 | 5 | 45 | Protruding | Chrome | 1 |
| 606-1211-110F | ● Green | | | 70 | | | |
| 606-1311-110F | ● Yellow | | | 60 | | | |
| 606-1215-110F | ● Green | | | 70 | | | 1 w/ Wire Leads |
| 606-1415-110F | ● Red ● Green | 6 | 10 | 40/50 | | | 2 |
| 606-1415-120F | ● Red ● Green | | | 40/50 | | | |
| 606-1415-130F | ● Red ● Green | | | 40/50 | | | |
| 606-2111-110F | ● Red | 2 | 5 | 45 | Recess | 3 | |
| 606-2211-110F | ● Green | | | 70 | | | |
| 606-2311-110F | ● Yellow | | | 60 | | | |
| 606-2415-110F | ● Red ● Green | | | 40/50 | | 4 | |
| 606-2415-120F | ● Red ● Green | 6 | 10 | 40/50 | | | |
| 606-2415-130F | ● Red ● Green | 12 | 40/50 | | | | |

*Bi-color intensity (Red/Green)



Certifications & Ratings

- RoHS compliant
- NEMA 4X (Watertight only)
- IP66 (Watertight only)

Application

The 607 Series LED Panel Mount Indicators are designed for a variety of applications such as:

- Main power indication
- Remote power indication
- Status indication
- Maintenance and warning indication
- Instrumentation
- ... and many more!

Dimensions

inches [mm]

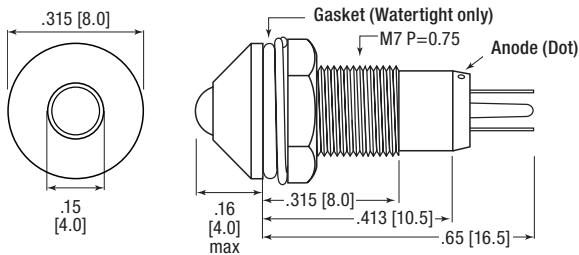


Figure 1

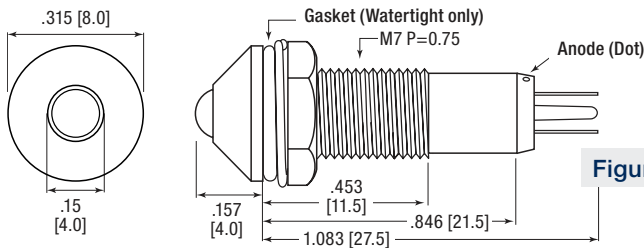


Figure 2

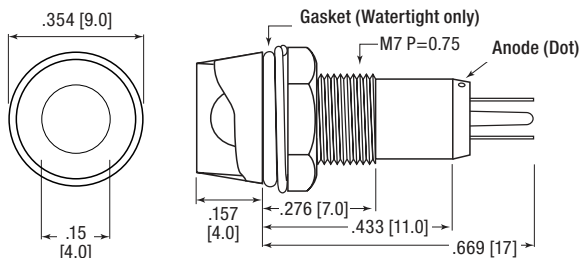


Figure 3

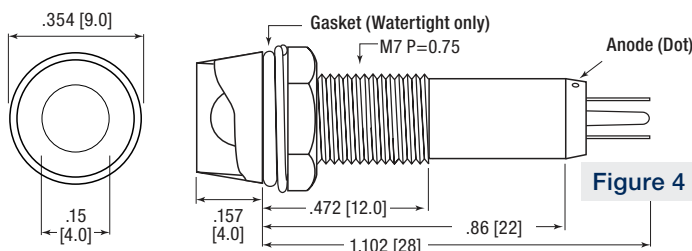


Figure 4

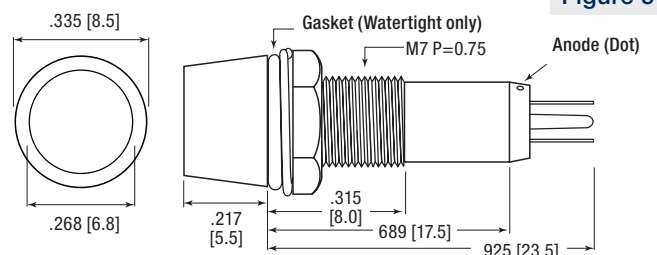


Figure 5

Mechanical Information

- Mounting Hole Size:** 0.283" (7.2 mm)
- Max Panel Thickness:** See part numbers
- Mounting Torque:** 0.362 lbs/ft (5 kg/cm)
0.217 lbs/ft or 3 kg/cm (Figure 5 only)

Specifications

- Voltage Options:** 2 VDC (resistor required)
6, 12 & 24 VDC (no resistor required)
- Operating Temp:** -30 °C to +85 °C (-22 °F to +185 °F)
- Storage Temp:** -40 °C to +85 °C (-40 °F to +185 °F)
- Electrical Connection:** Solder terminals
- Housing:** Protruding & recessed positions:
Brass—Chrome Plated
Internal position: Polycarbonate
- Terminals:** Copper—Nickel Plated
- Lock Washer:** Iron—Nickel Plated
- Nut:** Brass—Nickel Plated

Ordering Information 607 Series

| Standard | | Watertight | | Voltage (V DC) | Current (mA) | Intensity Typ. (mcd) | LED Positions | Figure | Panel Thickness | | | | | |
|---------------|---------------|------------|----------|----------------|--------------|----------------------|---------------|--------|------------------|----------|------------------|------------------|---|------------------|
| Part Number | Part Number | Color | Color | | | | | | | | | | | |
| 607-1112-110F | 607-1112-310F | ● Red | ● Red | 2 | 15 | 40 | Protruding | 1 | 0.187" (4.75 mm) | | | | | |
| 607-1212-110F | 607-1212-310F | ● Green | ● Green | | | 65 | | | | | | | | |
| 607-1312-110F | 607-1312-310F | ● Yellow | ● Yellow | | | 55 | | | | | | | | |
| 607-1112-120F | 607-1112-320F | ● Red | ● Red | 6 | | 40 | Recessed | 2 | 0.265" (6.75 mm) | | | | | |
| 607-1212-120F | 607-1212-320F | ● Green | ● Green | | | 65 | | | | | | | | |
| 607-1312-120F | 607-1312-320F | ● Yellow | ● Yellow | | | 55 | | | | | | | | |
| 607-1112-130F | 607-1112-330F | ● Red | ● Red | 12 | | 40 | | | | Internal | 5 | 0.187" (4.75 mm) | | |
| 607-1212-130F | 607-1212-330F | ● Green | ● Green | | | 65 | | | | | | | | |
| 607-1312-130F | 607-1312-330F | ● Yellow | ● Yellow | | | 55 | | | | | | | | |
| 607-2112-110F | 607-2112-310F | ● Red | ● Red | 2 | | 65 | Protruding | 3 | 0.136" (3.45 mm) | | | | | |
| 607-2212-110F | 607-2212-310F | ● Green | ● Green | | | 85 | | | | | | | | |
| 607-2312-110F | 607-2312-310F | ● Yellow | ● Yellow | | | 70 | | | | | | | | |
| 607-2112-120F | 607-2112-320F | ● Red | ● Red | 6 | | 65 | Recessed | 4 | 0.336" (8.50 mm) | | | | | |
| 607-2212-120F | 607-2212-320F | ● Green | ● Green | | | 85 | | | | | | | | |
| 607-2312-120F | 607-2312-320F | ● Yellow | ● Yellow | | | 70 | | | | | | | | |
| 607-2112-130F | 607-2112-330F | ● Red | ● Red | 12 | 65 | Internal | | | | 5 | 0.187" (4.75 mm) | | | |
| 607-2212-130F | 607-2212-330F | ● Green | ● Green | | 85 | | | | | | | | | |
| 607-2312-130F | 607-2312-330F | ● Yellow | ● Yellow | | 70 | | | | | | | | | |
| 607-3132-120F | 607-3132-320F | ● Red | ● Red | 6 | 35 | | Internal | 5 | 0.187" (4.75 mm) | | | | | |
| 607-3232-120F | 607-3232-320F | ● Green | ● Green | | 45 | | | | | | | | | |
| 607-3332-120F | 607-3332-320F | ● Yellow | ● Yellow | | 40 | | | | | | | | | |
| 607-3132-130F | 607-3132-330F | ● Red | ● Red | 12 | 35 | | | | | | | Internal | 5 | 0.187" (4.75 mm) |
| 607-3232-130F | 607-3232-330F | ● Green | ● Green | | 45 | | | | | | | | | |
| 607-3332-130F | 607-3332-330F | ● Yellow | ● Yellow | | 40 | | | | | | | | | |
| 607-3132-140F | 607-3132-340F | ● Red | ● Red | 24 | 35 | Internal | | | | 5 | 0.187" (4.75 mm) | | | |
| 607-3232-140F | 607-3232-340F | ● Green | ● Green | | 45 | | | | | | | | | |
| 607-3332-140F | 607-3332-340F | ● Yellow | ● Yellow | | 40 | | | | | | | | | |

Dialight reserves the right to make changes at any time in order to supply the best product possible. The most current version of this document will always be available at: www.dialightsignalsandcomponents.com

Warranty Statement: Except for the warranty expressly provided for [herein/above/below], Dialight disclaims any and all other warranties, express or implied, including, without limitation, any warranties of merchantability, fit for particular purpose, title, and noninfringement.





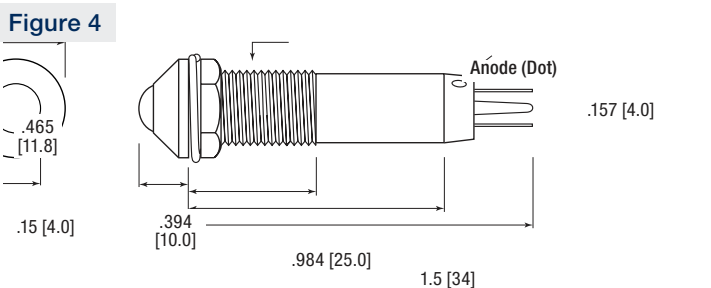
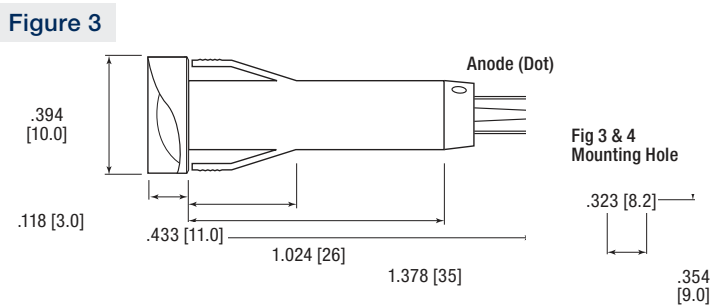
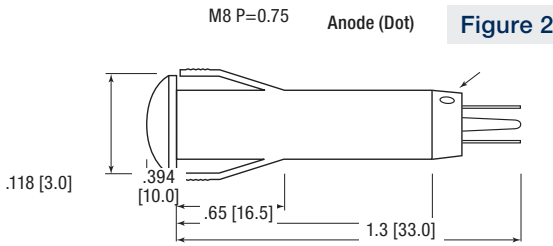
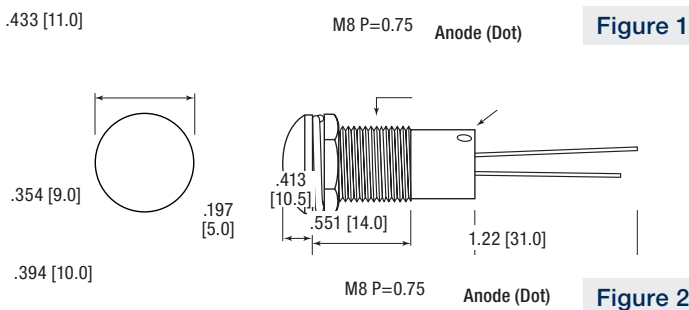
Certifications & Ratings

- RoHS compliant

Application

The 608 Series LED Panel Mount Indicators are designed for a variety of applications such as.

- Main power indication
 - Remote power indication
 - Status indication
 - Maintenance and warning indication
 - Instrumentation
- ... and many more!



Mechanical Information

| | |
|-------------------------------|--|
| Mounting Hole Size: | 0.323" (8.2 mm) (Fig. 1 & 2), Snap-Fit see Fig. 3 & 4 |
| Max Panel Thickness: | See part numbers |
| Mounting Torque: | 0.217 lbs/ft or 3 kg/cm (Fig. 1 & 2 only) |
| Specifications | |
| Voltage Options: | 2 VDC (resistor required) 6, 12 & 24 VDC (no resistor required) |
| Operating Temp: | -25 °C to +85 °C (-13 °F to +185 °F) |
| Storage Temp: | -25 °C to +85 °C (-13 °F to +185 °F) |
| Electrical Connection: | Leads (Fig. 1 & 2), Solder terminals (Fig. 3 & 4) |
| Housing: | Polycarbonate |
| Terminals: | Copper – Nickel Plated |
| Lock Washer: | Iron – Nickel Plated |
| Nut: | Brass – Nickel Plated |



Ordering Information 608 Series

| Part Number | Color | Voltage (V DC) | Current (mA) | Typical Intensity (mcd) | Figure | Panel Thickness |
|-------------|-------|----------------|--------------|-------------------------|--------|-----------------|
|-------------|-------|----------------|--------------|-------------------------|--------|-----------------|

Lock Washer & Nut

| | | | | | | |
|---------------|----------|---|----|----|---|------------------|
| 608-1131-110F | ● Red | 2 | 15 | 25 | 1 | 0.236" (6 mm) |
| 608-1231-110F | ● Green | | | 30 | | |
| 608-1331-110F | ● Yellow | | | 15 | | |
| 608-3131-110F | ● Red | | | 25 | 2 | |
| 608-3231-110F | ● Green | | | 30 | | |
| 608-3331-110F | ● Yellow | | | 15 | | |

Snap-Fit

| | | | | | | |
|---------------|----------|----|----|-----|---|------------------|
| 608-1132-220F | ● Red | 6 | 15 | 75 | 3 | 0.197" (5 mm) |
| 608-1232-220F | ● Green | | | 140 | | |
| 608-1332-220F | ● Yellow | | | 120 | | |
| 608-1132-230F | ● Red | 12 | | 75 | | |
| 608-1232-230F | ● Green | | | 140 | | |
| 608-1332-230F | ● Yellow | | | 120 | | |
| 608-1132-240F | ● Red | 24 | | 75 | | |
| 608-1232-240F | ● Green | | | 140 | | |
| 608-1332-240F | ● Yellow | | | 120 | | |
| 608-2132-220F | ● Red | 6 | | 75 | 4 | |
| 608-2232-220F | ● Green | | | 130 | | |
| 608-2332-220F | ● Yellow | | | 115 | | |
| 608-2132-230F | ● Red | 12 | | 75 | | |
| 608-2232-230F | ● Green | | | 130 | | |
| 608-2332-230F | ● Yellow | | | 115 | | |
| 608-2132-240F | ● Red | 24 | | 75 | | |
| 608-2232-240F | ● Green | | | 130 | | |
| 608-2332-240F | ● Yellow | | | 115 | | |

Dialight reserves the right to make changes at any time in order to supply the best product possible. The most current version of this document will always be available at: www.dialightsignalsandcomponents.com

Warranty Statement: Except for the warranty expressly provided for [herein/above/below], Dialight disclaims any and all other warranties, express or implied, including, without limitation, any warranties of merchantability, fitness for a particular purpose, title, and noninfringement.



Certifications & Ratings

- RoHS compliant
- NEMA 4X (Watertight only)
- IP66 (Watertight only)

Application

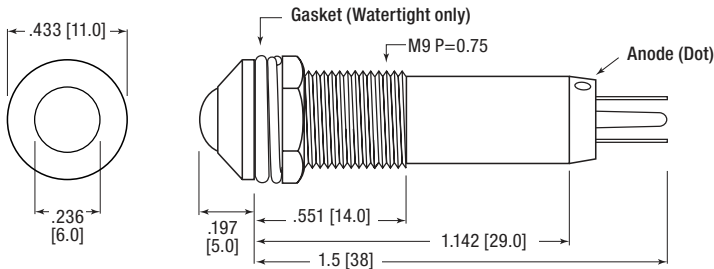
The 609 Series LED Panel Mount Indicators are designed for a variety of applications such as:

- Main power indication
 - Remote power indication
 - Status indication
 - Maintenance and warning indication
 - Instrumentation
- ... and many more!

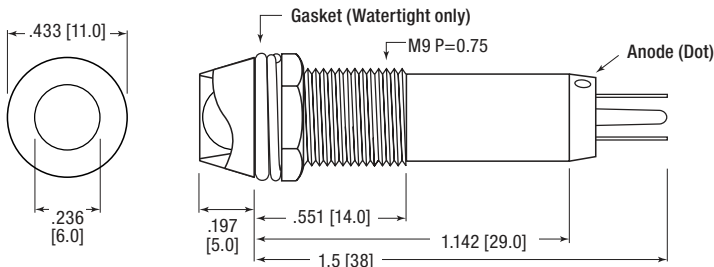
Dimensions

inches [mm]

Protruding



Recessed



Mechanical Information

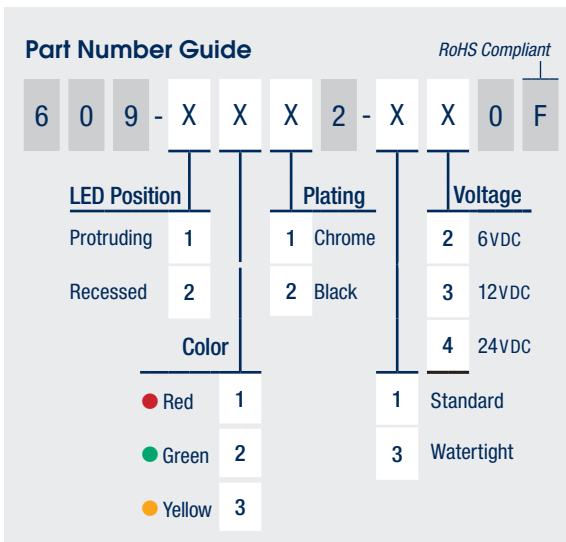
- Mounting Hole Size:** 0.374" (9.5 mm)
Max Panel Thickness: 0.374" (9.5 mm);
 with Gasket: 0.318" (8.0 mm)
Mounting Torque: 0.362 lbs/ft (5 kg/cm)

Specifications

- Voltage Options:** 6, 12 & 24 V DC (no resistor required)
Operating Temp: -30 °C to +85 °C (-22 °F to +185 °F)
Storage Temp: -40 °C to +85 °C (-40 °F to +185 °F)
Electrical Connection: Solder terminals
Housing: Brass—Chrome or Black Plated
Terminals: Copper—Nickel Plated
Lock washer: Iron—Nickel Plated
Nut: Brass—Nickel Plated



Ordering Information 609 Series



Protruding LED

| Part Number | Part Number | Color | Voltage (V DC) | Current (mA) | Intensity Typ. (mcd) | Plating | | |
|---------------|---------------|--------|----------------|--------------|----------------------|---------|--------|--------|
| Standard | Watertight | | | | | | | |
| 609-1112-120F | 609-1112-320F | Red | 6 | 15 | 85 | Chrome | | |
| 609-1212-120F | 609-1212-320F | Green | | | 115 | | | |
| 609-1312-120F | 609-1312-320F | Yellow | | | 90 | | | |
| 609-1112-130F | 609-1112-330F | Red | 12 | | 85 | | Chrome | |
| 609-1212-130F | 609-1212-330F | Green | | | 115 | | | |
| 609-1312-130F | 609-1312-330F | Yellow | | | 90 | | | |
| 609-1112-140F | 609-1112-340F | Red | 24 | | 85 | | | Chrome |
| 609-1212-140F | 609-1212-340F | Green | | | 115 | | | |
| 609-1312-140F | 609-1312-340F | Yellow | | | 90 | | | |
| 609-1122-120F | 609-1122-320F | Red | 6 | 15 | 85 | Black | | |
| 609-1222-120F | 609-1222-320F | Green | | | 115 | | | |
| 609-1322-120F | 609-1322-320F | Yellow | | | 90 | | | |
| 609-1122-130F | 609-1122-330F | Red | 12 | | 85 | | Black | |
| 609-1222-130F | 609-1222-330F | Green | | | 115 | | | |
| 609-1322-130F | 609-1322-330F | Yellow | | | 90 | | | |
| 609-1122-140F | 609-1122-340F | Red | 24 | | 85 | | | Black |
| 609-1222-140F | 609-1222-340F | Green | | | 115 | | | |
| 609-1322-140F | 609-1322-340F | Yellow | | | 90 | | | |

Recessed LED

| Part Number | Part Number | Color | Voltage (V DC) | Current (mA) | Intensity Typ. (mcd) | Plating | | |
|---------------|---------------|--------|----------------|--------------|----------------------|---------|--------|--------|
| Standard | Watertight | | | | | | | |
| 609-2112-120F | 609-2112-320F | Red | 6 | 15 | 85 | Chrome | | |
| 609-2212-120F | 609-2212-320F | Green | | | 115 | | | |
| 609-2312-120F | 609-2312-320F | Yellow | | | 90 | | | |
| 609-2112-130F | 609-2112-330F | Red | 12 | | 85 | | Chrome | |
| 609-2212-130F | 609-2212-330F | Green | | | 115 | | | |
| 609-2312-130F | 609-2312-330F | Yellow | | | 90 | | | |
| 609-2112-140F | 609-2112-340F | Red | 24 | | 85 | | | Chrome |
| 609-2212-140F | 609-2212-340F | Green | | | 115 | | | |
| 609-2312-140F | 609-2312-340F | Yellow | | | 90 | | | |
| 609-2122-120F | 609-2122-320F | Red | 6 | 15 | 85 | Black | | |
| 609-2222-120F | 609-2222-320F | Green | | | 115 | | | |
| 609-2322-120F | 609-2322-320F | Yellow | | | 90 | | | |
| 609-2122-130F | 609-2122-330F | Red | 12 | | 85 | | Black | |
| 609-2222-130F | 609-2222-330F | Green | | | 115 | | | |
| 609-2322-130F | 609-2322-330F | Yellow | | | 90 | | | |
| 609-2122-140F | 609-2122-340F | Red | 24 | | 85 | | | Black |
| 609-2222-140F | 609-2222-340F | Green | | | 115 | | | |
| 609-2322-140F | 609-2322-340F | Yellow | | | 90 | | | |

Dialight reserves the right to make changes at any time in order to supply the best product possible.
Warranty Statement: Except for the warranty expressly provided for [herein/above/below], Dialight dis-
 particular purpose, title, and noninfringement.



Certifications & Ratings

- RoHS compliant

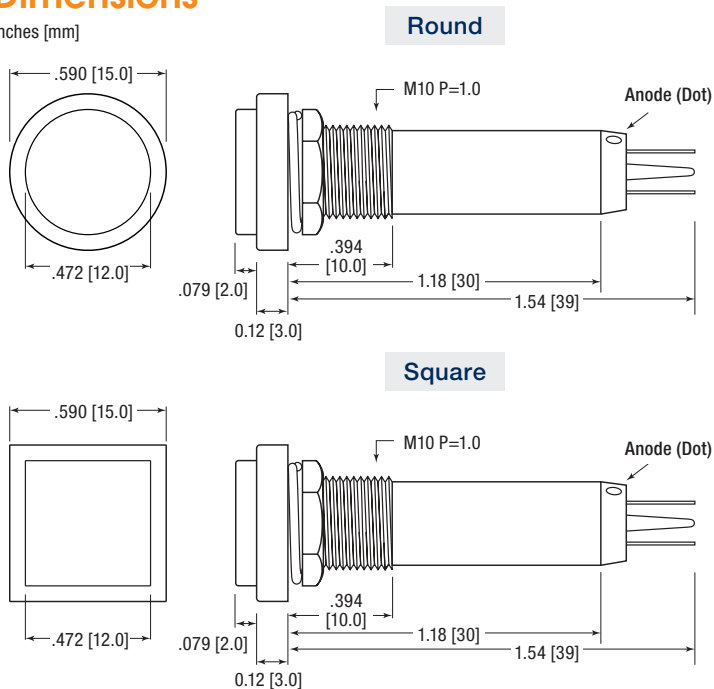
Application

The 610 Series LED Panel Mount Indicators are designed for a variety of applications such as:

- Main power indication
 - Remote power indication
 - Status indication
 - Maintenance and warning indication
 - Instrumentation
- ... and many more!

Dimensions

inches [mm]



Mechanical Information

- Mounting Hole Size:** 0.413" (10.5 mm)
- Max Panel Thickness:** 0.236" (6.0 mm)
- Mounting Torque:** 0.217 lbs/ft (3 kg/cm)

Specifications

- Voltage Options:** 6 VDC (no resistor required)
- Operating Temp:** -25 °C to +85 °C (-13 °F to +185 °F)
- Storage Temp:** -40 °C to +100 °C (-40 °F to +212 °F)
- Electrical Connection:** Solder terminals
- Housing:** Polycarbonate
- Terminals:** Copper—Nickel Plated
- Lock Washer:** Iron—Nickel Plated
- Nut:** Brass—Nickel Plated

Ordering Information 610 Series

| Part Number | Color | Voltage (V DC) | Current (mA) | Intensity Typ. (mcd) | LED Shape |
|---------------|--------|----------------|--------------|----------------------|-----------|
| 610-3132-120F | Red | 6 | 15 | 75 | Round |
| 610-3232-120F | Green | | | 110 | |
| 610-3332-120F | Yellow | | | 60 | |
| 610-4132-120F | Red | | | 75 | Square |
| 610-4232-120F | Green | | | 110 | |
| 610-4332-120F | Yellow | | | 60 | |

Information of this document will always be available at: www.dialightsignalsandcomponents.com
 or warranties, express or implied, including, without limitation, any warranties of merchantability, fitn





Certifications & Ratings

- RoHS compliant

Application

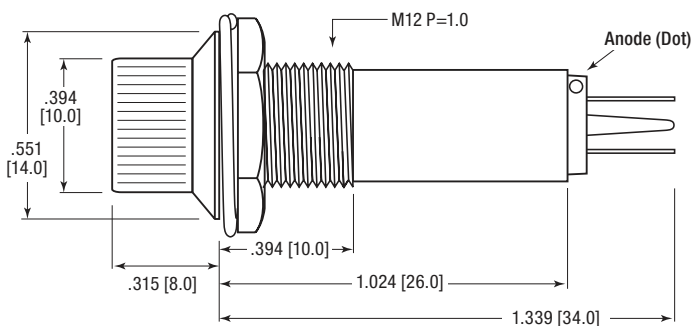
The 612 Series LED Panel Mount Indicators are designed for a variety of applications such as:

- Main power indication
- Remote power indication
- Status indication
- Maintenance and warning indication
- Instrumentation

... and many more!

Dimensions

inches [mm]



Mechanical Information

Mounting Hole Size: 0.492" (12.5 mm)

Max Panel Thickness: 0.236" (6.0 mm)

Mounting Torque: 0.217 lbs/ft (3 kg/cm)

Specifications

Voltage Options: 6, 12 & 24 VDC (no resistor required)

Operating Temp: -25 °C to +85 °C (-13 °F to +185 °F)

Storage Temp: -25 °C to +100 °C (-13 °F to +212 °F)

Electrical Connection: Solder terminals

Housing: Polycarbonate

Terminals: Copper—Nickel Plated

Lock Washer: Iron—Nickel Plated

Nut: Brass—Nickel Plated

Ordering Information 612 Series

| Part Number | Color | Voltage (VDC) | Current (mA) | Intensity Typ. (mcd) |
|---------------|--------|---------------|--------------|----------------------|
| 612-3132-120F | Red | 6 | 15 | 65 |
| 612-3232-120F | Green | | | 110 |
| 612-3332-120F | Yellow | | | 80 |
| 612-3132-130F | Red | 12 | | 65 |
| 612-3232-130F | Green | | | 110 |
| 612-3332-130F | Yellow | | | 80 |
| 612-3132-140F | Red | 24 | | 65 |
| 612-3232-140F | Green | | | 110 |
| 612-3332-140F | Yellow | | | 80 |

ent version of this document will always be available at: www.dialightsignalsandcomponents.com
all other warranties, express or implied, including, without limitation, any warranties of merchantability, fitn



8 mm Heavy Duty Panel Mount Indicators



Certifications & Ratings

- RoHS compliant
- IP66/IP67
- IK10
- NEMA 4X

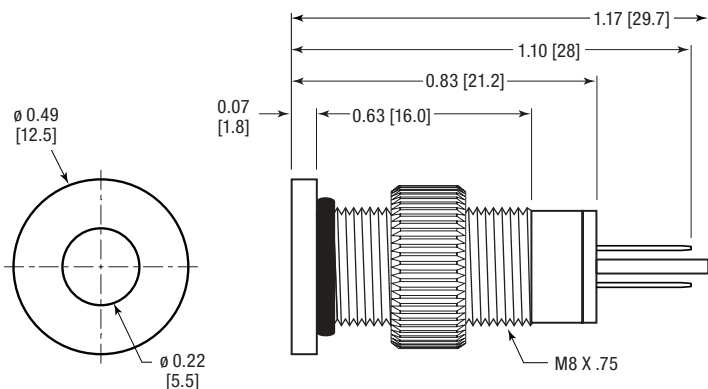
Application

The 620 Series Heavy Duty LED Panel Mount Indicators are elegantly designed for a high-end aesthetic paired with sturdy construction. These indicators are non-magnetic, corrosion resistant for both indoor and outdoor use, and secured to prevent dirt, dust, and water penetration. Ideal for a variety of applications such as:

- Main power indication
 - Remote power indication
 - Status indication
 - Maintenance and warning indication
 - Instrumentation
- . . . and many more!

Dimensions

inches [mm]



Mechanical Information

- Mounting Hole Size:** 0.323" (8.2 mm)
- Max Panel Thickness:** 0.394" (10 mm)
- Mounting Torque:** 7.01 lbs-ft (9.5 Nm)

Specifications

- Operating Voltage:** 3 VDC (external resistor required)
6, 12 & 24 VDC (internal resistor included)
- Operating Temp:** -25 °C to +70 °C (-13 °F to 158 °F)
- Storage Temp:** -25 °C to +70 °C (-13 °F to 158 °F)
- Electrical Connection:** Solder terminals
- Housing:** Stainless Steel
- Terminals:** Stainless Steel
- Nut:** Stainless Steel



Ordering Information 620 Series

Part Number Guide *RoHS Compliant*

6 2 0 - 1 X X X - 3 0 4 F

| Color | | Voltage | |
|----------|-----|---------|-------|
| ● Red | 1 0 | 1 | 3VDC |
| ● Green | 2 0 | 2 | 6VDC |
| ● Yellow | 3 0 | 3 | 12VDC |
| ● Blue | 4 0 | 4 | 24VDC |

| Dialight P/N | Color | Voltage (VDC) | Current (mA) | Typical Intensity (mcd) |
|---------------|----------|---------------|--------------|-------------------------|
| 620-1101-304F | ● Red | 3 | 15 | 200 |
| 620-1201-304F | ● Green | | | 250 |
| 620-1301-304F | ● Yellow | | | 350 |
| 620-1401-304F | ● Blue | | | 300 |
| 620-1102-304F | ● Red | 6 | | 200 |
| 620-1202-304F | ● Green | | | 250 |
| 620-1302-304F | ● Yellow | | | 350 |
| 620-1402-304F | ● Blue | | | 300 |
| 620-1103-304F | ● Red | 12 | | 200 |
| 620-1203-304F | ● Green | | | 250 |
| 620-1303-304F | ● Yellow | | | 350 |
| 620-1403-304F | ● Blue | | | 300 |
| 620-1104-304F | ● Red | 24 | | 200 |
| 620-1204-304F | ● Green | | | 250 |
| 620-1304-304F | ● Yellow | | | 350 |
| 620-1404-304F | ● Blue | | | 300 |

Dialight reserves the right to make changes at any time in order to supply the best product possible. The most current version of this document will always be available at: www.dialightsignalsandcomponents.com

Warranty Statement: Except for the warranty expressly provided for [herein/above/below], Dialight disclaims any and all other warranties, express or implied, including, without limitation, any warranties of merchantability, fitness for a particular purpose, title, and noninfringement.



Certifications & Ratings

- RoHS compliant
- IP66/IP67
- IK10
- NEMA 4X

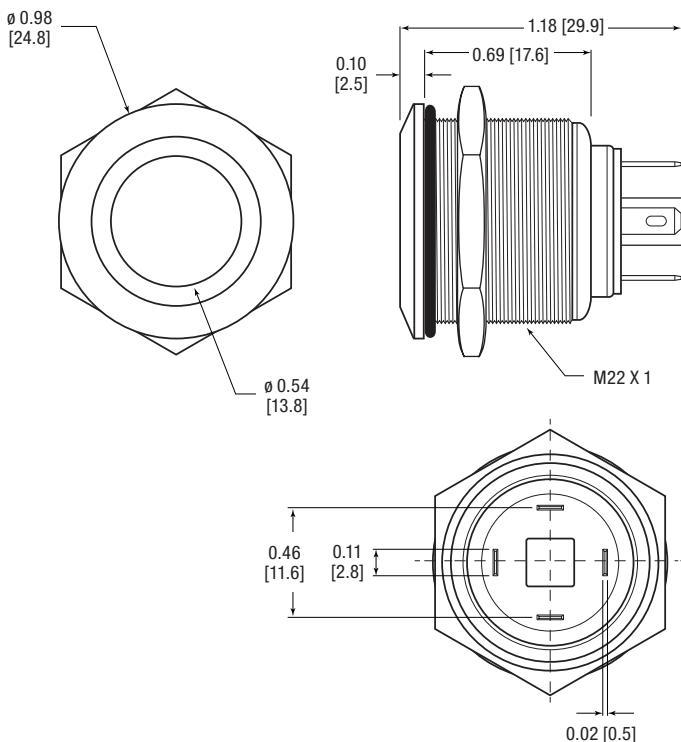
Application

The 621 Series Heavy Duty LED Panel Mount Indicators are elegantly designed for a high-end aesthetic paired with sturdy construction. These indicators are non-magnetic, corrosion resistant for both indoor and outdoor use, and secured to prevent dirt, dust, and water penetration. Ideal for a variety of applications such as:

- Main power indication
 - Remote power indication
 - Status indication
 - Maintenance and warning indication
 - Instrumentation
- ... and many more!

Dimensions

inches [mm]



Mechanical Information

- Mounting Hole Size:** 0.866" (22 mm)
- Max Panel Thickness:** 0.394" (10 mm)
- Mounting Torque:** 7.01 lbs-ft (9.5 Nm)

Specifications

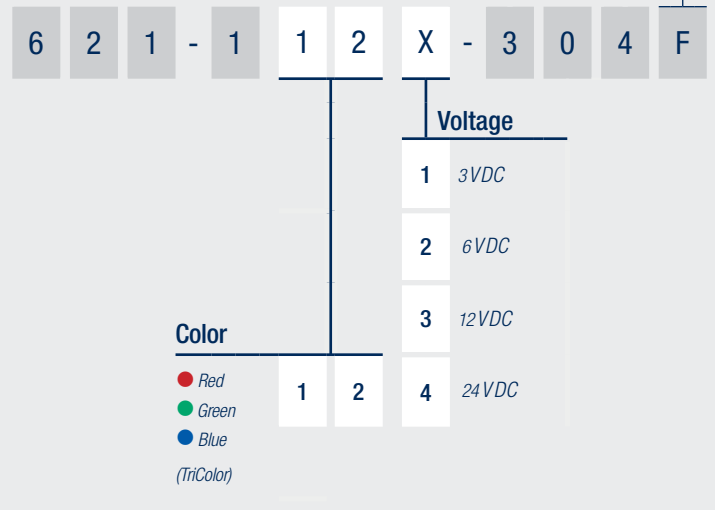
- Operating Voltage:** 3 VDC (external resistor required)
6, 12 & 24 VDC (internal resistor included)
- Operating Temp:** -25 °C to +70 °C (-13 °F to 158 °F)
- Storage Temp:** -25 °C to +70 °C (-13 °F to 158 °F)
- Electrical Connection:** Solder terminals
- Housing:** Stainless Steel
- Terminals:** Stainless Steel
- Nut:** Stainless Steel

Ordering Information 621 Series

| Dialight P/N | Color | Voltage (VDC) | Current (mA) | Typical Intensity (mcd) |
|---------------|------------|---------------|--------------|---|
| 621-1121-304F | (TriColor) | 3 | 15 | <ul style="list-style-type: none"> ● Red: 200 ● Green: 250 ● Blue: 300 |
| 621-1122-304F | ● Red | 6 | | |
| 621-1123-304F | ● Green | 12 | | |
| 621-1124-304F | ● Blue | 24 | | |

Part Number Guide

RoHS Compliant



Dialight reserves the right to make changes at any time in order to supply the best product possible. The most current version of this document will always be available at: www.dialightsignalsandcomponents.com

Warranty Statement: Except for the warranty expressly provided for [herein/above/below], Dialight disclaims any and all other warranties, express or implied, including, without limitation, any warranties of merchantability, fitness for a particular purpose, title, and noninfringement.



Certifications & Ratings

- RoHS compliant
- IP66/IP67
- IK10
- NEMA 4X

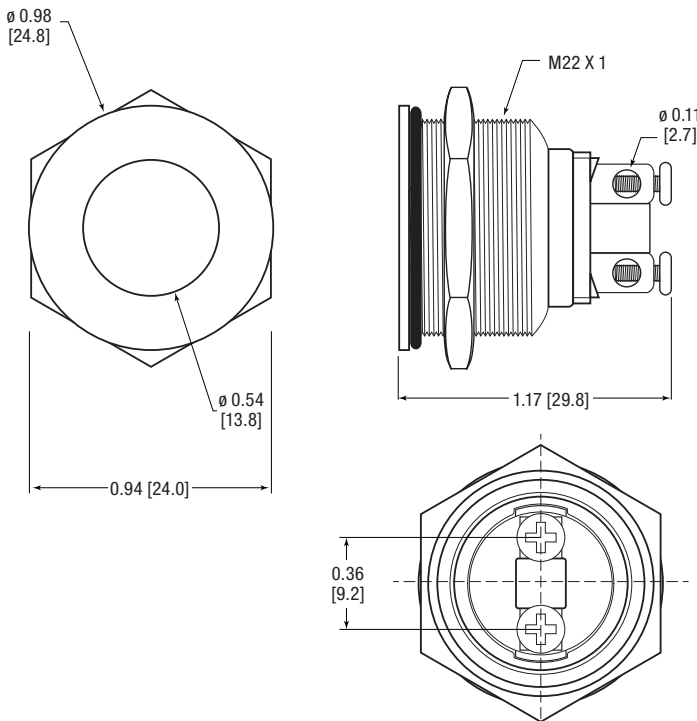
Application

The 622 Series Heavy Duty LED Panel Mount Indicators are elegantly designed for a high-end aesthetic paired with sturdy construction. These indicators are non-magnetic, corrosion resistant for both indoor and outdoor use, and secured to prevent dirt, dust, and water penetration. Ideal for a variety of applications such as:

- Main power indication
 - Remote power indication
 - Status indication
 - Maintenance and warning indication
 - Instrumentation
- ... and many more!

Dimensions

inches [mm]



Mechanical Information

- Mounting Hole Size:** 0.866" (22mm)
- Max Panel Thickness:** 0.394" (10mm)
- Mounting Torque:** 7.01 lbs-ft (9.5 Nm)

Specifications

- Operating Voltage:** 3 VDC (external resistor required)
6, 12 & 24 VDC (internal resistor included)
- Operating Temp:** -25 °C to +70 °C (-13 °F to 158 °F)
- Storage Temp:** -25 °C to +70 °C (-13 °F to 158 °F)
- Electrical Connection:** Screw terminals
- Housing:** Stainless Steel
- Nut:** Stainless Steel

Ordering Information 622 Series

Part Number Guide RoHS Compliant

6 2 2 - 1 X X X - 3 0 4 F

Color

- Red
- Green
- Yellow
- Blue

Voltage

- 1 3VDC
- 2 6VDC
- 3 12VDC
- 4 24VDC

Legend for Part Number Guide:
 - 1: Color (1-4)
 - X: Color (1-4)
 - X: Voltage (1-4)
 - 3: Voltage (1-4)
 - 0: Color (1-4)
 - 4: Voltage (1-4)
 - F: RoHS Compliant

| Dialight P/N | Color | Voltage (VDC) | Current (mA) | Typical Intensity (mcd) |
|---------------|--------|---------------|--------------|-------------------------|
| 622-1101-304F | Red | 3 | 15 | 200 |
| 622-1201-304F | Green | | | 250 |
| 622-1301-304F | Yellow | | | 350 |
| 622-1401-304F | Blue | | | 300 |
| 622-1102-304F | Red | 6 | | 200 |
| 622-1202-304F | Green | | | 250 |
| 622-1302-304F | Yellow | | | 350 |
| 622-1402-304F | Blue | | | 300 |
| 622-1103-304F | Red | 12 | | 200 |
| 622-1203-304F | Green | | | 250 |
| 622-1303-304F | Yellow | | | 350 |
| 622-1403-304F | Blue | | | 300 |
| 622-1104-304F | Red | 24 | | 200 |
| 622-1204-304F | Green | | | 250 |
| 622-1304-304F | Yellow | | | 350 |
| 622-1404-304F | Blue | | | 300 |

Dialight reserves the right to make changes at any time in order to supply the best product possible. The most current version of this document will always be available at: www.dialightsignalsandcomponents.com

Warranty Statement: Except for the warranty expressly provided for [herein/above/below], Dialight disclaims any and all other warranties, express or implied, including, without limitation, any warranties of merchantability, fitness for a particular purpose, title, and noninfringement.

30 mm Heavy Duty Panel Mount Indicators



Certifications & Ratings

- RoHS compliant
- IP66/IP67
- IK10
- NEMA 4X

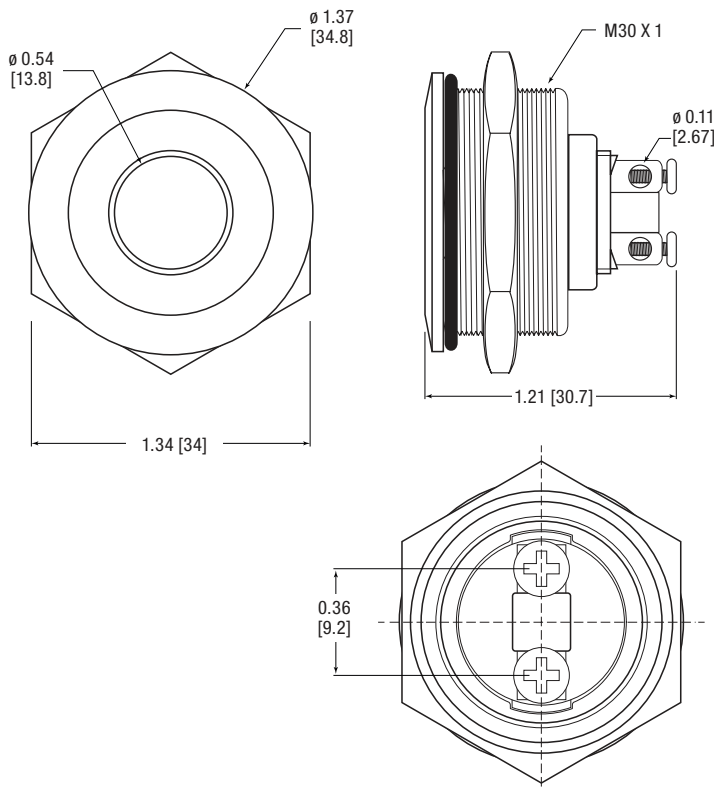
Application

The 623 Series Heavy Duty LED Panel Mount Indicators are elegantly designed for a high-end aesthetic paired with sturdy construction. These indicators are non-magnetic, corrosion resistant for both indoor and outdoor use, and secured to prevent dirt, dust, and water penetration. Ideal for a variety of applications such as:

- Main power indication
 - Remote power indication
 - Status indication
 - Maintenance and warning indication
 - Instrumentation
- ... and many more!

Dimensions

inches [mm]



Mechanical Information

- Mounting Hole Size:** 1.18" (30 mm)
- Max Panel Thickness:** 0.394" (10 mm)
- Mounting Torque:** 7.01 lbs-ft (9.5 Nm)

Specifications

- Operating Voltage:** 3 VDC (external resistor required)
6, 12 & 24 VDC (internal resistor included)
- Operating Temp:** -25 °C to +70 °C (-13 °F to 158 °F)
- Storage Temp:** -25 °C to +70 °C (-13 °F to 158 °F)
- Electrical Connection:** Screw terminals
- Housing:** Stainless Steel
- Nut:** Stainless Steel



Ordering Information 623 Series

Part Number Guide *RoHS Compliant*

6 2 3 - 1 X X X - 3 0 4 F

| Color | | Voltage | |
|----------|---|---------|---------|
| ● Red | 1 | 0 | 4 24VDC |
| ● Green | 2 | 0 | 3 3VDC |
| ● Yellow | 3 | 0 | 2 6VDC |
| ● Blue | 4 | 0 | 1 12VDC |

| Dialight P/N | Color | Voltage (VDC) | Current (mA) | Typical Intensity (mcd) |
|---------------|----------|---------------|--------------|-------------------------|
| 623-1101-304F | ● Red | 3 | 15 | 200 |
| 623-1201-304F | ● Green | | | 250 |
| 623-1301-304F | ● Yellow | | | 350 |
| 623-1401-304F | ● Blue | | | 300 |
| 623-1102-304F | ● Red | 6 | | 200 |
| 623-1202-304F | ● Green | | | 250 |
| 623-1302-304F | ● Yellow | | | 350 |
| 623-1402-304F | ● Blue | | | 300 |
| 623-1103-304F | ● Red | 12 | | 200 |
| 623-1203-304F | ● Green | | | 250 |
| 623-1303-304F | ● Yellow | | | 350 |
| 623-1403-304F | ● Blue | | | 300 |
| 623-1104-304F | ● Red | 24 | | 200 |
| 623-1204-304F | ● Green | | | 250 |
| 623-1304-304F | ● Yellow | | | 350 |
| 623-1404-304F | ● Blue | | | 300 |

Dialight reserves the right to make changes at any time in order to supply the best product possible. The most current version of this document will always be available at: www.dialightsignalsandcomponents.com

Warranty Statement: Except for the warranty expressly provided for [herein/above/below], Dialight disclaims any and all other warranties, express or implied, including, without limitation, any warranties of merchantability, fitness for a particular purpose, title, and noninfringement.



Certifications & Ratings

- UL 1598 (E156890)
- IP66
- NEMA 4X
- RoHS Compliant w/6C exemption
- IK07

Application

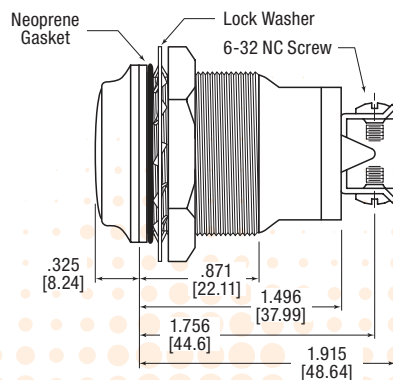
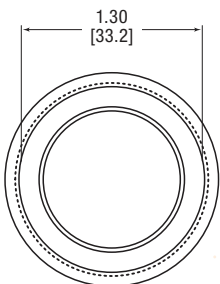
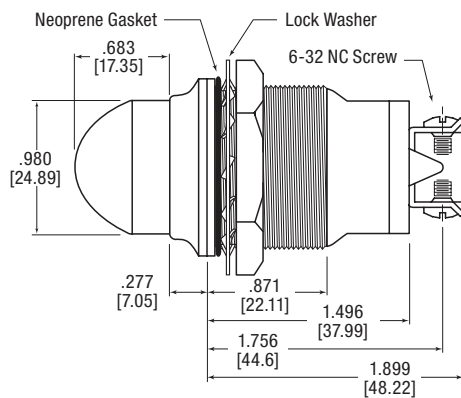
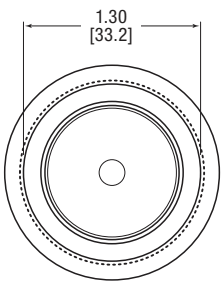
The 630 Series LED Panel Mount Indicators incorporate both InGaN and AlInGaP technologies to offer maximum light output. This is a highly durable package, designed to withstand outdoor applications susceptible to rain, dust and sunlight:

- Instrument panels
- Safety applications
- UL 508 panel applications
- Petrochemical applications
- Environmental Monitoring Equipment specifications
- Pump system controllers
- Mining application
- Oil Refineries
- Agricultural controls
- Power generators

. . . and many more!

Dimensions

inches [mm]



Mechanical information

- Mounting Hole Size:** 1.18" (30 mm)
- Max Panel Thickness:** Flat: 0.575" (14.6 mm)
Dome: 0.375" (9.53 mm)
- Mounting Torque:** 40 in-lbs

Specifications

- Voltage Options:** 12 & 24 VDC, and 120 VAC (no resistor required)
- Operating Temp:** -30°C to +85°C (-22°F to +185°F)
- Storage Temp:** -40°C to +100°C (-40°F to +212°F)
- Electrical Connection:** 6-32 screw terminals
- Housing:** Brass—White Nickel Plated
- Terminals:** Brass — Hot solder dip per Mil-F-14072D, M258, Type II
- Lens Material:** Transparent Polycarbonate (UL 94-0)
- Lock Washer:** Phosphor Bronze — Nickel Plated
- Nut:** Brass—Nickel Plated



Ordering Information 630 Series

| Part Number Guide | | | | | | | | | | RoHS Compliant | |
|-------------------|---|---|---|----------------|---------|---|---|---|---|----------------|---|
| 6 | 3 | 0 | - | X | X | X | - | 3 | 0 | 4 | F |
| Lens Style | | | | Voltage | | | | | | | |
| Flat | 1 | | | 3 | 12 VDC | | | | | | |
| Domed | 3 | | | 4 | 24 VDC | | | | | | |
| | | | | 5 | 120 VAC | | | | | | |
| Color | | | | | | | | | | | |
| ○ White | 0 | 0 | | | | | | | | | |
| ● Red | 5 | 0 | | | | | | | | | |
| ● Green | 6 | 0 | | | | | | | | | |
| ● Yellow | 7 | 0 | | | | | | | | | |
| ● Blue | 8 | 0 | | | | | | | | | |

| Dialight P/N | Color | Voltage | Current (mA) | Typical Intensity (mcd) |
|--------------|-------|---------|--------------|-------------------------|
|--------------|-------|---------|--------------|-------------------------|

Flat Lens

| | | | | |
|---------------|----------|---------|--------|--------|
| 630-1003-304F | ○ White | 12 VDC | 60 | 61,000 |
| 630-1503-304F | ● Red | | 95 | 22,000 |
| 630-1603-304F | ● Green | | 60 | 41,500 |
| 630-1703-304F | ● Yellow | | 95 | 13,500 |
| 630-1803-304F | ● Blue | | 60 | 13,000 |
| 630-1004-304F | ○ White | | 24 VDC | 32 |
| 630-1504-304F | ● Red | 46 | | 22,000 |
| 630-1604-304F | ● Green | 32 | | 41,500 |
| 630-1704-304F | ● Yellow | 95 | | 13,500 |
| 630-1804-304F | ● Blue | 32 | | 13,000 |
| 630-1005-304F | ○ White | 120 VAC | | 9.5 |
| 630-1505-304F | ● Red | | 10.5 | 8,000 |
| 630-1605-304F | ● Green | | 9.5 | 29,000 |
| 630-1705-304F | ● Yellow | | 95 | 5,750 |
| 630-1805-304F | ● Blue | | 9.5 | 7,750 |

Domed Lens

| | | | | |
|---------------|----------|---------|--------|--------|
| 630-3003-304F | ○ White | 12 VDC | 60 | 17,000 |
| 630-3503-304F | ● Red | | 95 | 14,000 |
| 630-3603-304F | ● Green | | 60 | 14,000 |
| 630-3703-304F | ● Yellow | | 95 | 4,000 |
| 630-3803-304F | ● Blue | | 60 | 12,000 |
| 630-3004-304F | ○ White | | 24 VDC | 32 |
| 630-3504-304F | ● Red | 46 | | 14,000 |
| 630-3604-304F | ● Green | 32 | | 14,000 |
| 630-3704-304F | ● Yellow | 95 | | 4,000 |
| 630-3804-304F | ● Blue | 32 | | 12,000 |
| 630-3005-304F | ○ White | 120 VAC | | 9.5 |
| 630-3505-304F | ● Red | | 10.5 | 2,500 |
| 630-3605-304F | ● Green | | 9.5 | 9,500 |
| 630-3705-304F | ● Yellow | | 95 | 1,750 |
| 630-3805-304F | ● Blue | | 9.5 | 3,000 |

Dialight reserves the right to make changes at any time in order to supply the best product possible. The most current version of this document will always be available at: www.dialightsignalsandcomponents.com

Warranty Statement: Except for the warranty expressly provided for [herein/above/below], Dialight disclaims any and all other warranties, express or implied, including, without limitation, any warranties of merchantability, fitness for a particular purpose, title, and noninfringement.



Certifications & Ratings

- RoHS compliant

Application

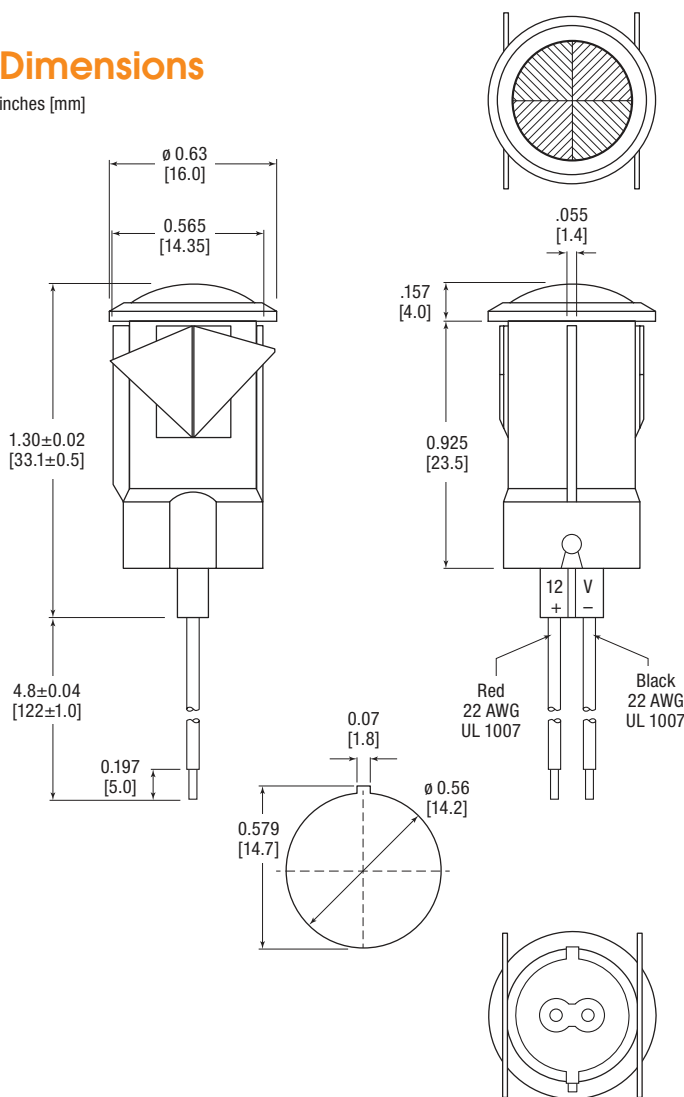
The 653 Series LED Panel Mount Indicators are designed with the unique feature of flexible tabs that allow for mounting to panels of thicknesses ranging from 0.027" (0.7 mm) to 0.138" (3.5 mm). They are ideal for a variety of applications, such as:

- Main power indication
- Remote power indication
- Status indication
- Maintenance and warning indication
- Instrumentation

... and many more!

Dimensions

inches [mm]



Mechanical Information

Mounting Hole Size: 0.579" (14.7 mm)

Max Panel Thickness: 0.138" (3.5 mm)

Specifications

Voltage Options: 12 & 24 V DC (no resistor required)

Operating temp: -20 °C to +80 °C (-4 °F to +176 °F)

Storage Temp: -20 °C to +80 °C (-4 °F to +176 °F)

Electrical Connection: 5" wire leads

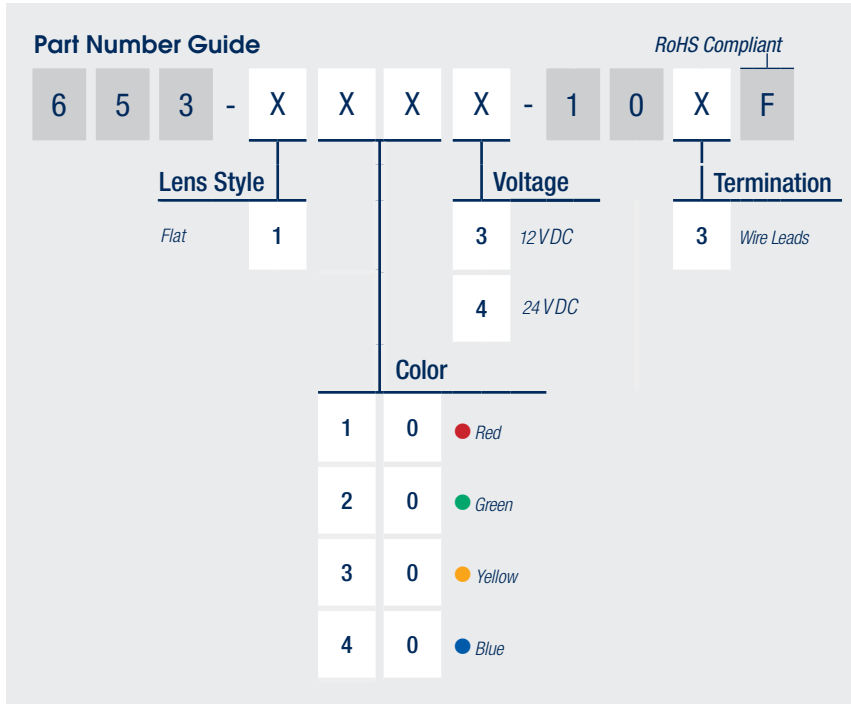
Housing: Polycarbonate

Wire Leads: 22 AWG

| Dialight P/N | Color | Voltage (V DC) | Current (mA) | Typical Intensity (mcd) |
|---------------|--------|----------------|--------------|-------------------------|
| 653-1103-103F | Red | 12 | 20 | 845 |
| 653-1203-103F | Green | | | 600 |
| 653-1303-103F | Yellow | | | 465 |
| 653-1403-103F | Blue | | | 390 |
| 653-1104-103F | Red | 24 | 20 | 845 |
| 653-1204-103F | Green | | | 600 |
| 653-1304-103F | Yellow | | | 465 |
| 653-1404-103F | Blue | | | 390 |



Ordering Information 653 Series



Dialight reserves the right to make changes at any time in order to supply the best product possible. The most current version of this document will always be available at: www.dialightsignalsandcomponents.com

Warranty Statement: Except for the warranty expressly provided for [herein/above/below], Dialight disclaims any and all other warranties, express or implied, including, without limitation, any warranties of merchantability, fitness for a particular purpose, title, and noninfringement.



Certifications & Ratings

- RoHS compliant

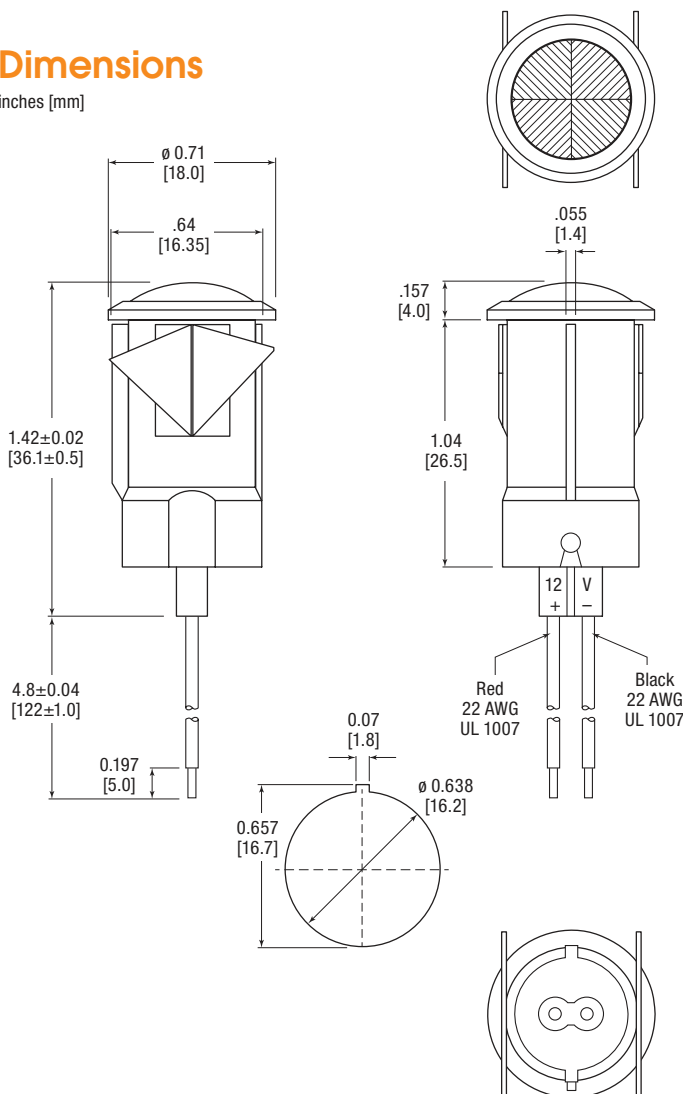
Application

The 654 Series LED Panel Mount Indicators are designed with the unique feature of flexible tabs that allow for mounting to panels of thicknesses ranging from 0.027" (0.7 mm) to 0.138" (3.5 mm). They are ideal for a variety of applications, such as:

- Main power indication
- Remote power indication
- Status indication
- Maintenance and warning indication
- Instrumentation
- ... and many more!

Dimensions

inches [mm]



Mechanical Information

Mounting Hole Size: 0.657" (16.7 mm)

Max Panel Thickness: 0.138" (3.5 mm)

Specifications

Voltage Options: 12 & 24 V DC (no resistor required)

Operating temp: -20°C to +80°C (-4°F to +176°F)

Storage Temp: -20°C to +80°C (-4°F to +176°F)

Electrical Connection: 5" wire leads

Housing: Polycarbonate

Wire Leads: 22 AWG

| Dialight P/N | Color | Voltage (V DC) | Current (mA) | Typical Intensity (mcd) |
|---------------|--------|----------------|--------------|-------------------------|
| 654-1103-103F | Red | 12 | 20 | 845 |
| 654-1203-103F | Green | | | 600 |
| 654-1303-103F | Yellow | | | 465 |
| 654-1403-103F | Blue | | | 390 |
| 654-1104-103F | Red | 24 | | 845 |
| 654-1204-103F | Green | | | 600 |
| 654-1304-103F | Yellow | | | 465 |
| 654-1404-103F | Blue | | | 390 |



Ordering Information 654 Series

| Part Number Guide | | | | | | | | | | RoHS Compliant | | |
|-------------------|---|-------------------|---|--------------|---|-----------------|---|----------------|---|---------------------|---|---|
| 6 | 5 | 4 | - | X | X | X | X | - | 1 | 0 | X | F |
| | | Lens Style | | | | | | Voltage | | Termination | | |
| | | <i>Flat</i> | | | | | | 3 12VDC | | 3 <i>Wire Leads</i> | | |
| | | 1 | | | | | | 4 24VDC | | | | |
| | | | | | | | | | | | | |
| | | | | Color | | | | | | | | |
| | | | | 1 0 | | ● <i>Red</i> | | | | | | |
| | | | | 2 0 | | ● <i>Green</i> | | | | | | |
| | | | | 3 0 | | ● <i>Yellow</i> | | | | | | |
| | | | | 4 0 | | ● <i>Blue</i> | | | | | | |

Dialight reserves the right to make changes at any time in order to supply the best product possible. The most current version of this document will always be available at: www.dialightsignalsandcomponents.com

Warranty Statement: Except for the warranty expressly provided for [herein/above/below], Dialight disclaims any and all other warranties, express or implied, including, without limitation, any warranties of merchantability, fitness for a particular purpose, title, and noninfringement.

1/2" Snap-in Panel Mount Indicators



Certifications & Ratings

- RoHS compliant

Application

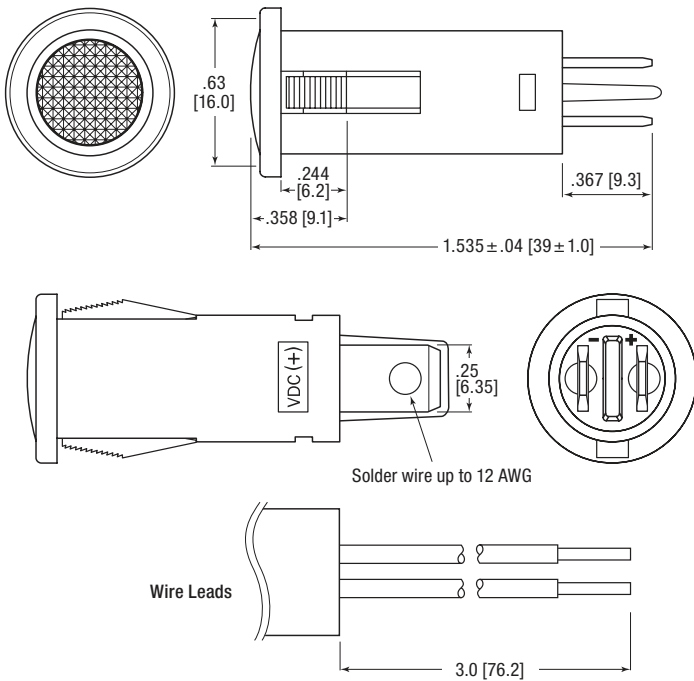
The 655 Series LED Panel Mount Indicators are designed for a variety of applications such as.

- Main power indication
 - Remote power indication
 - Status indication
 - Maintenance and warning indication
 - Instrumentation
- ... and many more!

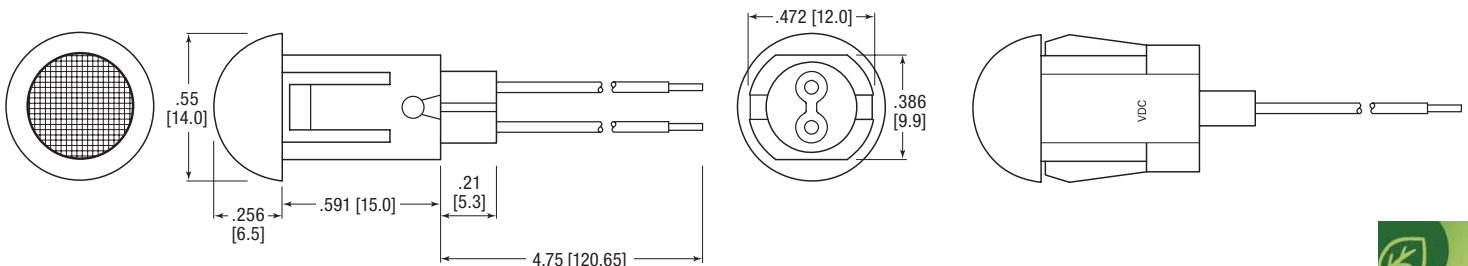
Dimensions

inches [mm]

Flat Lens



Domed Lens



Mechanical Information

- Mounting Hole Size:** 0.50" (12.7 mm)
- Max Panel Thickness:** 0.138" (3.5 mm) (Domed Lens); 0.216" (5.5 mm) (Flat Lens)

Specifications

- Voltage Options:** 12 & 24 VDC and 120 & 230VAC (Flat Lens only), no resistor required
- Operating temp:** -20 °C to +85 °C (-4 °F to +185 °F)
- Storage Temp:** -20 °C to +85 °C (-4 °F to +185 °F)
- Electrical Connection:** 250 Faston quick connect terminals (Flat Lens only) or wire leads
- Housing:** Polycarbonate
- Terminals:** Brass—Nickel Plated (Flat Lens only)
- Wire Leads:** 18 AWG (Flat Lens), 26 AWG (Domed Lens)



Ordering Information 655 Series

| Dialight P/N | | Color | Voltage | Current (mA) | Typical Intensity (mcd) |
|--------------|------------------|-------|---------|--------------|-------------------------|
| Wire Leads | Solder Terminals | | | | |

Flat Lens

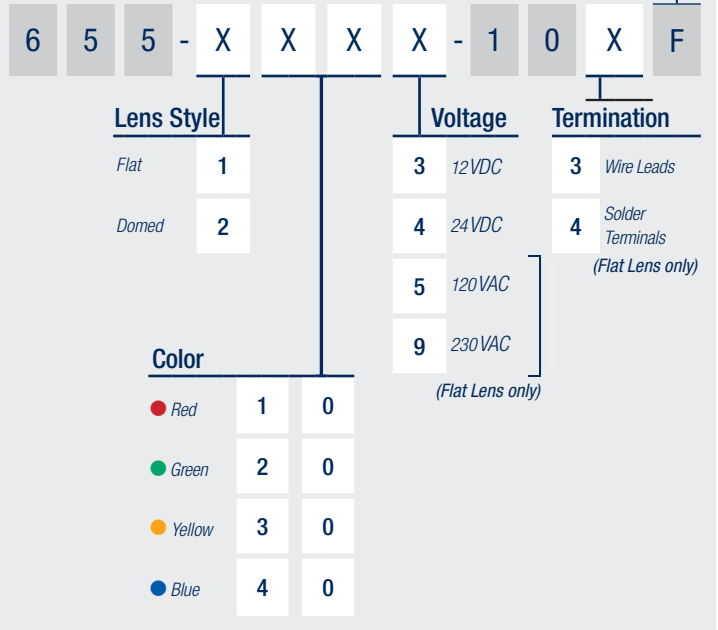
| Dialight P/N | Dialight P/N | Color | Voltage | Current (mA) | Typical Intensity (mcd) |
|---------------|---------------|--------|---------|--------------|-------------------------|
| 655-1103-103F | 655-1103-104F | Red | 12 VDC | 20 | 270 |
| 655-1203-103F | 655-1203-104F | Green | | | 700 |
| 655-1303-103F | 655-1303-104F | Yellow | | | 200 |
| 655-1403-103F | 655-1403-104F | Blue | | | 100 |
| 655-1104-103F | 655-1104-104F | Red | 24 VDC | 20 | 270 |
| 655-1204-103F | 655-1204-104F | Green | | | 700 |
| 655-1304-103F | 655-1304-104F | Yellow | | | 200 |
| 655-1404-103F | 655-1404-104F | Blue | | | 100 |
| 655-1105-103F | 655-1105-104F | Red | 120 VAC | 5 | 60 |
| 655-1205-103F | 655-1205-104F | Green | | | 110 |
| 655-1305-103F | 655-1305-104F | Yellow | | | 70 |
| 655-1405-103F | 655-1405-104F | Blue | | | 25 |
| 655-1109-103F | 655-1109-104F | Red | 230 VAC | 3 | 60 |
| 655-1209-103F | 655-1209-104F | Green | | | 110 |
| 655-1309-103F | 655-1309-104F | Yellow | | | 70 |
| 655-1409-103F | 655-1409-104F | Blue | | | 25 |

Domed Lens

| Dialight P/N | Dialight P/N | Color | Voltage | Current (mA) | Typical Intensity (mcd) |
|---------------|--------------|--------|---------|--------------|-------------------------|
| 655-2103-103F | NA | Red | 12 VDC | 20 | 3000 |
| 655-2203-103F | NA | Green | | | 2500 |
| 655-2303-103F | NA | Yellow | | | 1500 |
| 655-2403-103F | NA | Blue | | | 700 |
| 655-2104-103F | NA | Red | 24 VDC | 20 | 3000 |
| 655-2204-103F | NA | Green | | | 2500 |
| 655-2304-103F | NA | Yellow | | | 1500 |
| 655-2404-103F | NA | Blue | | | 700 |

Part Number Guide

RoHS Compliant



Dialight reserves the right to make changes at any time in order to supply the best product possible. The most current version of this document will always be available at: www.dialightsignalsandcomponents.com

Warranty Statement: Except for the warranty expressly provided for [herein/above/below], Dialight disclaims any and all other warranties, express or implied, including, without limitation, any warranties of merchantability, fitness for a particular purpose, title, and noninfringement.

High Intensity LED Panel Mount Indicators



Certifications & Ratings

- UL1598: wire leads — UL listed; terminals — UL recognized
- NEMA 4X
- IP66/67
- RoHS compliant — w/6C exemption

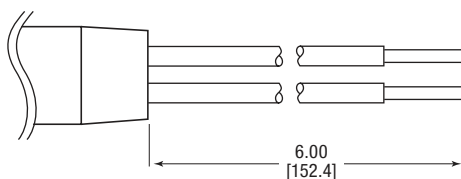
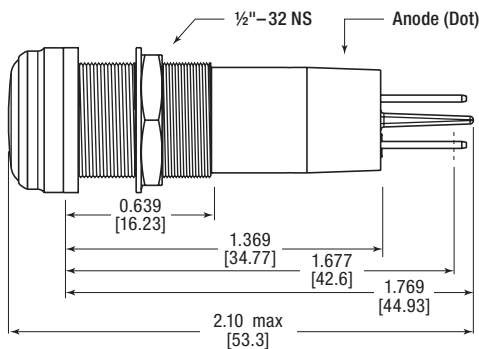
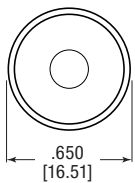
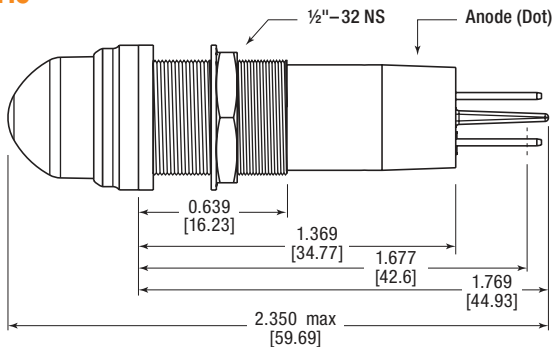
Application

The 656 Series LED Panel Mount Indicators are designed for a variety of applications such as:

- Safety Applications
- Instrument Panels
- Vending/Gaming
- Display Lighting
- Transportation — rail, bus, airline
- ... and many more!

Dimensions

inches [mm]



Mechanical information

- Mounting Hole Size:** 0.500" (12.7 mm)
- Max Panel Thickness:** 0.450" (11.43 mm)
- Mounting Torque:** 5 in-lbs

Specifications

- Voltage Options:** 5 to 125 VDC and 125, 230 VAC (bi-color 5, 12, 24 VDC) (no resistor required)
- Operating Temp:** -40 °C to +100 °C (-40 °F to +212 °F)
- Storage Temp:** -40 °C to +100 °C (-40 °F to +212 °F)
- Electrical Connection:** 110 Faston quick connect terminals or 6" wire leads
- Housing:** Brass—White or Black Nickel Plated
- Lens Material:** Transparent polycarbonate (UL 94V-0)
- Wire Leads:** 18 AWG
- Lock Washer:** Bronze—White or Black Nickel Plated
- Nut:** Brass—White or Black Nickel Plated



Ordering Information
656 Series

| Part Number Guide | | | | | | | | | | RoHS Compliant | | | | | |
|-------------------|---|---|---|-------------------|---|-----|---|---|---|----------------|---|--------------------|--|----------------|--|
| 6 | 5 | 6 | - | X | X | X | X | - | X | 0 | X | F | | | |
| | | | | Lens Style | | | | | | Voltage | | Termination | | | |
| | | | | Flat | | 1 | | | | | | 2 5VDC | | 3 Wires | |
| | | | | Domed | | 3 | | | | | | 3 12VDC | | 4 Blades | |
| | | | | | | | | | | | | 4 24VDC | | | |
| | | | | Color | | | | | | | | 6 28VDC* | | Plating | |
| | | | | ○ White | | 0 0 | | | | | | 8 37.5VDC* | | 2 Black | |
| | | | | ● Red | | 1 0 | | | | | | A 48VDC**†‡ | | 3 White | |
| | | | | ● Green | | 2 0 | | | | | | 7 72VDC* | | | |
| | | | | ● Yellow | | 3 0 | | | | | | 5 120 VAC/DC*† | | | |
| | | | | ● Orange | | 3 5 | | | | | | 9 230VAC*† | | | |
| | | | | ● Blue | | 4 0 | | | | | | | | | |
| | | | | ● Red | | 1 2 | | | | | | | | | |
| | | | | ● Green | | 1 2 | | | | | | | | | |
| | | | | ● Yellow | | 3 2 | | | | | | | | | |
| | | | | ● Green | | 3 2 | | | | | | | | | |

* single color only
† white nickel plating only
‡ wire leads only

656 Series — Bi-Color

Flat Lens

| Part #—with Wire Leads | | Part #—with Blade Terminals | | Color | Voltage (VDC) | Typ Current (mA) | Typical Intensity (mcd) |
|------------------------|----------------------|-----------------------------|----------------------|---------------------|---------------|------------------|-------------------------|
| White Nickel Plating | Black Nickel Plating | White Nickel Plating | Black Nickel Plating | | | | |
| 656-1122-303F | 656-1122-203F | 656-1122-304F | 656-1122-204F | ● Red ● Green | 5 | 11/8 | 330/910 |
| 656-1322-303F | 656-1322-203F | 656-1322-304F | 656-1322-204F | ● Yellow ● Green | 5 | 11/8 | 320/864 |
| 656-1123-303F | 656-1123-203F | 656-1123-304F | 656-1123-204F | ● Red ● Green | 12 | 10/9 | 330/910 |
| 656-1323-303F | 656-1323-203F | 656-1323-304F | 656-1323-204F | ● Yellow ● Green | 12 | 10/9 | 320/864 |
| 656-1124-303F | 656-1124-203F | 656-1124-304F | 656-1124-204F | ● Red ● Green | 24 | 11/10 | 330/910 |
| 656-1324-303F | 656-1324-203F | 656-1324-304F | 656-1324-204F | ● Yellow ● Green | 24 | 11/10 | 320/864 |

Domed Lens

| Part #—with Wire Leads | | Part #—with Blade Terminals | | Color | Voltage (VDC) | Typ Current (mA) | Typical Intensity (mcd) |
|------------------------|----------------------|-----------------------------|----------------------|---------------------|---------------|------------------|-------------------------|
| White Nickel Plating | Black Nickel Plating | White Nickel Plating | Black Nickel Plating | | | | |
| 656-3122-303F | 656-3122-203F | 656-3122-304F | 656-3122-204F | ● Red ● Green | 5 | 11/8 | 490/1340 |
| 656-3322-303F | 656-3322-203F | 656-3322-304F | 656-3322-204F | ● Yellow ● Green | 5 | 11/8 | 480/430 |
| 656-3123-303F | 656-3123-203F | 656-3123-304F | 656-3123-204F | ● Red ● Green | 12 | 10/9 | 490/1340 |
| 656-3323-303F | 656-3323-203F | 656-3323-304F | 656-3323-204F | ● Yellow ● Green | 12 | 10/9 | 480/430 |
| 656-3124-303F | 656-3124-203F | 656-3124-304F | 656-3124-204F | ● Red ● Green | 24 | 11/10 | 490/1340 |
| 656-3324-303F | 656-3324-203F | 656-3324-304F | 656-3324-204F | ● Yellow ● Green | 24 | 11/10 | 480/430 |

Flat Lens

Ordering Information

656 Series—Single Color

| Part #—with Wire Leads | | Part #—with Blade Terminals | | Color | Voltage | Typ Current (mA) | Typical Intensity (mcd) |
|------------------------|----------------------|-----------------------------|----------------------|--------|---------------|------------------|-------------------------|
| White Nickel Plating | Black Nickel Plating | White Nickel Plating | Black Nickel Plating | | | | |
| 656-1002-303F | 656-1002-203F | 656-1002-304F | 656-1002-204F | White | 5 (VDC) | 15 | 1510 |
| 656-1102-303F | 656-1102-203F | 656-1102-304F | 656-1102-204F | Red | | 16 | 1150 |
| 656-1202-303F | 656-1202-203F | 656-1202-304F | 656-1202-204F | Green | | 15 | 1600 |
| 656-1302-303F | 656-1302-203F | 656-1302-304F | 656-1302-204F | Yellow | | 16 | 990 |
| 656-1352-303F | 656-1352-203F | 656-1352-304F | 656-1352-204F | Orange | | 16 | 1800 |
| 656-1402-303F | 656-1402-203F | 656-1402-304F | 656-1402-204F | Blue | | 15 | 237 |
| 656-1003-303F | 656-1003-203F | 656-1003-304F | 656-1003-204F | White | 12 (VDC) | 18 | 1310 |
| 656-1103-303F | 656-1103-203F | 656-1103-304F | 656-1103-204F | Red | | 18 | 1100 |
| 656-1203-303F | 656-1203-203F | 656-1203-304F | 656-1203-204F | Green | | 16 | 1140 |
| 656-1303-303F | 656-1303-203F | 656-1303-304F | 656-1303-204F | Yellow | | 18 | 880 |
| 656-1353-303F | 656-1353-203F | 656-1353-304F | 656-1353-204F | Orange | | 18 | 1800 |
| 656-1403-303F | 656-1403-203F | 656-1403-304F | 656-1403-204F | Blue | | 16 | 290 |
| 656-1004-303F | 656-1004-203F | 656-1004-304F | 656-1004-204F | White | 24 (VDC) | 20 | 1310 |
| 656-1104-303F | 656-1104-203F | 656-1104-304F | 656-1104-204F | Red | | | 1100 |
| 656-1204-303F | 656-1204-203F | 656-1204-304F | 656-1204-204F | Green | | | 1140 |
| 656-1304-303F | 656-1304-203F | 656-1304-304F | 656-1304-204F | Yellow | | | 880 |
| 656-1354-303F | 656-1354-203F | 656-1354-304F | 656-1354-204F | Orange | | | 1800 |
| 656-1404-303F | 656-1404-203F | 656-1404-304F | 656-1404-204F | Blue | | | 290 |
| 656-1006-303F | 656-1006-203F | 656-1006-304F | 656-1006-204F | White | 28 (VDC) | 19 | 1310 |
| 656-1106-303F | 656-1106-203F | 656-1106-304F | 656-1106-204F | Red | | 19 | 1100 |
| 656-1206-303F | 656-1206-203F | 656-1206-304F | 656-1206-204F | Green | | 18 | 1140 |
| 656-1306-303F | 656-1306-203F | 656-1306-304F | 656-1306-204F | Yellow | | 19 | 880 |
| 656-1356-303F | 656-1356-203F | 656-1356-304F | 656-1356-204F | Orange | | 19 | 1800 |
| 656-1406-303F | 656-1406-203F | 656-1406-304F | 656-1406-204F | Blue | | 18 | 290 |
| 656-1008-303F | 656-1008-203F | 656-1008-304F | 656-1008-204F | White | 37.5 (VDC) | 8.5 | 400 |
| 656-1108-303F | 656-1108-203F | 656-1108-304F | 656-1108-204F | Red | | | 230 |
| 656-1208-303F | 656-1208-203F | 656-1208-304F | 656-1208-204F | Green | | | 450 |
| 656-1308-303F | 656-1308-203F | 656-1308-304F | 656-1308-204F | Yellow | | | 190 |
| 656-1358-303F | 656-1358-203F | 656-1358-304F | 656-1358-204F | Orange | | | 835 |
| 656-1408-303F | 656-1408-203F | 656-1408-304F | 656-1408-204F | Blue | | | 100 |
| 656-110A-303F | — | 656-110A-304F | — | Red | 48 (VDC) | 10 | 230 |
| 656-120A-303F | — | 656-120A-304F | — | Green | | | 450 |
| 656-130A-303F | — | 656-130A-304F | — | Yellow | | | 190 |
| 656-1007-303F | 656-1007-203F | 656-1007-304F | 656-1007-204F | White | 72 (VDC) | 8.5 | 400 |
| 656-1107-303F | 656-1107-203F | 656-1107-304F | 656-1107-204F | Red | | | 230 |
| 656-1207-303F | 656-1207-203F | 656-1207-304F | 656-1207-204F | Green | | | 450 |
| 656-1307-303F | 656-1307-203F | 656-1307-304F | 656-1307-204F | Yellow | | | 190 |
| 656-1357-303F | 656-1357-203F | 656-1357-304F | 656-1357-204F | Orange | | | 835 |
| 656-1407-303F | 656-1407-203F | 656-1407-304F | 656-1407-204F | Blue | | | 100 |
| 656-1005-303F | — | 656-1005-304F | — | White | 120 (VAC/VDC) | 5 | 400 |
| 656-1105-303F | — | 656-1105-304F | — | Red | | | 230 |
| 656-1205-303F | — | 656-1205-304F | — | Green | | | 450 |
| 656-1305-303F | — | 656-1305-304F | — | Yellow | | | 190 |
| 656-1355-303F | — | 656-1355-304F | — | Orange | | | 260 |
| 656-1405-303F | — | 656-1405-304F | — | Blue | | | 100 |
| 656-1009-303F | — | 656-1009-304F | — | White | 230 (VAC) | 3 | 400 |
| 656-1109-303F | — | 656-1109-304F | — | Red | | | 230 |
| 656-1209-303F | — | 656-1209-304F | — | Green | | | 450 |
| 656-1309-303F | — | 656-1309-304F | — | Yellow | | | 190 |
| 656-1359-303F | — | 656-1359-304F | — | Orange | | | 260 |
| 656-1409-303F | — | 656-1409-304F | — | Blue | | | 100 |

Domed Lens

| Part #—with Wire Leads | | Part #—with Blade Terminals | | Color | Voltage | Typ Current (mA) | Typical Intensity (mcd) |
|------------------------|----------------------|-----------------------------|----------------------|--------|---------------|------------------|-------------------------|
| White Nickel Plating | Black Nickel Plating | White Nickel Plating | Black Nickel Plating | | | | |
| 656-3002-303F | 656-3002-203F | 656-3002-304F | 656-3002-204F | White | 5 (VDC) | 15 | 3080 |
| 656-3102-303F | 656-3102-203F | 656-3102-304F | 656-3102-204F | Red | | 16 | 2200 |
| 656-3202-303F | 656-3202-203F | 656-3202-304F | 656-3202-204F | Green | | 15 | 2880 |
| 656-3302-303F | 656-3302-203F | 656-3302-304F | 656-3302-204F | Yellow | | 16 | 1960 |
| 656-3352-303F | 656-3352-203F | 656-3352-304F | 656-3352-204F | Orange | | 16 | 4400 |
| 656-3402-303F | 656-3402-203F | 656-3402-304F | 656-3402-204F | Blue | | 15 | 600 |
| 656-3003-303F | 656-3003-203F | 656-3003-304F | 656-3003-204F | White | 12 (VDC) | 18 | 2340 |
| 656-3103-303F | 656-3103-203F | 656-3103-304F | 656-3103-204F | Red | | 18 | 2000 |
| 656-3203-303F | 656-3203-203F | 656-3203-304F | 656-3203-204F | Green | | 16 | 2110 |
| 656-3303-303F | 656-3303-203F | 656-3304-304F | 656-3303-204F | Yellow | | 18 | 1080 |
| 656-3353-303F | 656-3353-203F | 656-3353-304F | 656-3353-204F | Orange | | 18 | 4400 |
| 656-3403-303F | 656-3403-203F | 656-3403-304F | 656-3403-204F | Blue | | 16 | 640 |
| 656-3004-303F | 656-3004-203F | 656-3004-304F | 656-3004-204F | White | 24 (VDC) | 20 | 2340 |
| 656-3104-303F | 656-3104-203F | 656-3104-304F | 656-3104-204F | Red | | | 2000 |
| 656-3204-303F | 656-3204-203F | 656-3204-304F | 656-3204-204F | Green | | | 2110 |
| 656-3304-303F | 656-3304-203F | 656-3304-304F | 656-3304-204F | Yellow | | | 1080 |
| 656-3354-303F | 656-3354-203F | 656-3354-304F | 656-3354-204F | Orange | | | 4400 |
| 656-3404-303F | 656-3404-203F | 656-3404-304F | 656-3404-204F | Blue | | | 640 |
| 656-3006-303F | 656-3006-203F | 656-3006-304F | 656-3006-204F | White | 28 (VDC) | 19 | 2340 |
| 656-3106-303F | 656-3106-203F | 656-3106-304F | 656-3106-204F | Red | | 19 | 2000 |
| 656-3206-303F | 656-3206-203F | 656-3206-304F | 656-3206-204F | Green | | 18 | 2110 |
| 656-3306-303F | 656-3306-203F | 656-3306-304F | 656-3306-204F | Yellow | | 19 | 1080 |
| 656-3356-303F | 656-3356-203F | 656-3356-304F | 656-3356-204F | Orange | | 19 | 4400 |
| 656-3406-303F | 656-3406-203F | 656-3406-304F | 656-3406-204F | Blue | | 18 | 640 |
| 656-3008-303F | 656-3008-203F | 656-3008-304F | 656-3008-204F | White | 37.5 (VDC) | | 660 |
| 656-3108-303F | 656-3108-203F | 656-3108-304F | 656-3108-204F | Red | | | 410 |
| 656-3208-303F | 656-3208-203F | 656-3208-304F | 656-3208-204F | Green | | | 800 |
| 656-3308-303F | 656-3308-203F | 656-3308-304F | 656-3308-204F | Yellow | | | 390 |
| 656-3358-303F | 656-3358-203F | 656-3358-304F | 656-3358-204F | Orange | | | 2000 |
| 656-3408-303F | 656-3408-203F | 656-3408-304F | 656-3408-204F | Blue | | | 220 |
| 656-310A-303F | — | 656-310A-304F | — | Red | 48 (VDC) | 10 | 410 |
| 656-320A-303F | — | 656-320A-304F | — | Green | | | 800 |
| 656-330A-303F | — | 656-330A-304F | — | Yellow | | | 390 |
| 656-3007-303F | 656-3007-203F | 656-3007-304F | 656-3007-204F | White | 72 (VDC) | | 660 |
| 656-3107-303F | 656-3107-203F | 656-3107-304F | 656-3107-204F | Red | | | 410 |
| 656-3207-303F | 656-3207-203F | 656-3207-304F | 656-3207-204F | Green | | | 800 |
| 656-3307-303F | 656-3307-203F | 656-3307-304F | 656-3307-204F | Yellow | | | 390 |
| 656-3357-303F | 656-3357-203F | 656-3357-304F | 656-3357-204F | Orange | | | 2000 |
| 656-3407-303F | 656-3407-203F | 656-3407-304F | 656-3407-204F | Blue | | | 220 |
| 656-3005-303F | — | 656-3005-304F | — | White | 120 (VAC/VDC) | 5 | 660 |
| 656-3105-303F | — | 656-3105-304F | — | Red | | | 410 |
| 656-3205-303F | — | 656-3205-304F | — | Green | | | 800 |
| 656-3305-303F | — | 656-3305-304F | — | Yellow | | | 390 |
| 656-3355-303F | — | 656-3355-304F | — | Orange | | | 610 |
| 656-3405-303F | — | 656-3405-304F | — | Blue | | | 220 |
| 656-3009-303F | — | 656-3009-304F | — | White | 230 (VAC) | 3 | 660 |
| 656-3109-303F | — | 656-3109-304F | — | Red | | | 410 |
| 656-3209-303F | — | 656-3209-304F | — | Green | | | 800 |
| 656-3309-303F | — | 656-3309-304F | — | Yellow | | | 390 |
| 656-3359-303F | — | 656-3359-304F | — | Orange | | | 610 |
| 656-3409-303F | — | 656-3409-304F | — | Blue | | | 220 |

Dialight reserves the right to make changes at any time in order to supply the best product possible. The most current version of this document will always be available at: www.dialightsignalsandcomponents.com

Warranty Statement: Except for the warranty expressly provided for [herein/above/below], Dialight disclaims any and all other warranties, express or implied, including, without limitation, any warranties of merchantability, fitness for a particular purpose, title, and noninfringement.



Certifications & Ratings

- RoHS compliant
- NEMA 4X
- IP67

Application

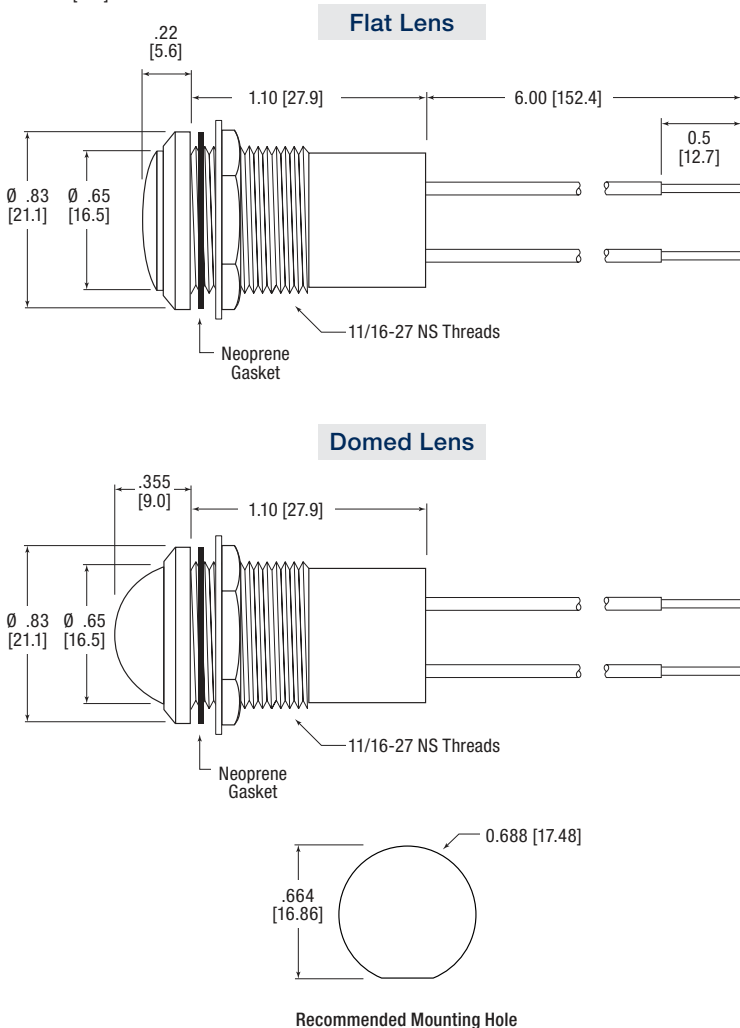
The 657 Series LED Panel Mount Indicators are designed with a highly durable watertight housing. These indicators are designed for a variety of applications such as:

- Electrical control panels
- Wastewater treatment controls
- Buses and transit vehicles dashboards
- Agricultural and construction equipment dashboards
- Aircraft and military vehicles dashboards
- Status Indication on industrial equipment

... and many more!

Dimensions

inches [mm]



Mechanical Information

Mounting Hole Size: 0.687" (17.46 mm)

Max Panel Thickness: 0.350" (8.89 mm)

Mounting Torque: 15 in-lbs

Specifications

Voltage Options: 5, 12, & 24 VDC
(no resistor required)

Operating Temp: -35 °C to +65 °C
(-31 °F to +149 °F)

Storage Temp: -40 °C to +100 °C
(-40 °F to +212 °F)

Electrical Connection: 18 AWG anti-capillary wire

Housing: Polycarbonate (UL 94V-0)

Lens Material: Polycarbonate (UL 94V-0)

Wire Leads: 6"

Lock Washer: White Nickel Plated Bronze

Nut: White Nickel Plated Brass

Ordering Information 657 Series

Flat

| Part Number | | | LED Color | Curr. (mA) | Typical Intensity (mcd) |
|-------------|--------|--------|-----------|------------|-------------------------|
| 5 VDC | 12 VDC | 24 VDC | | | |

White Diffused Lens

| 5 VDC | 12 VDC | 24 VDC | LED Color | Curr. (mA) | Typical Intensity (mcd) |
|---------------|---------------|---------------|-----------|------------|-------------------------|
| 657-1002-303F | 657-1003-303F | 657-1004-303F | ○ White | 20 | 150 |
| 657-1502-303F | 657-1503-303F | 657-1504-303F | ● Red | | 150 |
| 657-1602-303F | 657-1603-303F | 657-1604-303F | ● Green | | 160 |
| 657-1702-303F | 657-1703-303F | 657-1704-303F | ● Yellow | | 100 |
| 657-1802-303F | 657-1803-303F | 657-1804-303F | ● Blue | | 75 |
| 657-1902-303F | 657-1903-303F | 657-1904-303F | ● Orange | | 150 |

Tinted Diffused Lens

| 5 VDC | 12 VDC | 24 VDC | LED Color | Curr. (mA) | Typical Intensity (mcd) |
|---------------|---------------|---------------|-----------|------------|-------------------------|
| 657-1502-103F | 657-1503-103F | 657-1504-103F | ● Red | 20 | 650 |
| 657-1602-103F | 657-1603-103F | 657-1604-103F | ● Green | | 1150 |
| 657-1702-103F | 657-1703-103F | 657-1704-103F | ● Yellow | | 550 |
| 657-1802-103F | 657-1803-103F | 657-1804-103F | ● Blue | | 200 |
| 657-1902-103F | 657-1903-103F | 657-1904-103F | ● Orange | | 700 |

Domed

| Part Number | | | LED Color | Curr. (mA) | Typical Intensity (mcd) |
|-------------|--------|--------|-----------|------------|-------------------------|
| 5 VDC | 12 VDC | 24 VDC | | | |

White Diffused Lens

| 5 VDC | 12 VDC | 24 VDC | LED Color | Curr. (mA) | Typical Intensity (mcd) |
|---------------|---------------|---------------|-----------|------------|-------------------------|
| 657-2002-303F | 657-2003-303F | 657-2004-303F | ○ White | 20 | 85 |
| 657-2502-303F | 657-2503-303F | 657-2504-303F | ● Red | | 115 |
| 657-2602-303F | 657-2603-303F | 657-2604-303F | ● Green | | 150 |
| 657-2702-303F | 657-2703-303F | 657-2704-303F | ● Yellow | | 115 |
| 657-2802-303F | 657-2803-303F | 657-2804-303F | ● Blue | | 70 |
| 657-2902-303F | 657-2903-303F | 657-2904-303F | ● Orange | | 100 |

Tinted Diffused Lens

| 5 VDC | 12 VDC | 24 VDC | LED Color | Curr. (mA) | Typical Intensity (mcd) |
|---------------|---------------|---------------|-----------|------------|-------------------------|
| 657-2502-103F | 657-2503-103F | 657-2504-103F | ● Red | 20 | 900 |
| 657-2602-103F | 657-2603-103F | 657-2604-103F | ● Green | | 1600 |
| 657-2702-103F | 657-2703-103F | 657-2704-103F | ● Yellow | | 1250 |
| 657-2802-103F | 657-2803-103F | 657-2804-103F | ● Blue | | 250 |
| 657-2902-103F | 657-2903-103F | 657-2904-103F | ● Orange | | 1500 |

| Part Number Guide | | | | | | | | | | RoHS Compliant | |
|-------------------|---|----------|-----------|---|---------|-------|------------|-----------------------------|---|----------------|---|
| 6 | 5 | 7 | - | X | X | X | - | X | 0 | 3 | F |
| Lens Style | | | LED Color | | Voltage | | Lens Color | | | | |
| Flat | 1 | ○ White | 0 | 0 | 2 | 5VDC | 1 | Tinted Diffused* | | | |
| Domed | 2 | ● Red | 5 | 0 | 3 | 12VDC | 3 | White Diffused | | | |
| | | ● Green | 6 | 0 | 4 | 24VDC | | * will be same as LED color | | | |
| | | ● Yellow | 7 | 0 | | | | | | | |
| | | ● Blue | 8 | 0 | | | | | | | |
| | | ● Orange | 9 | 0 | | | | | | | |

Dialight reserves the right to make changes at any time in order to supply the best product possible. The most current version of this document will always be available at: www.dialightsignalsandcomponents.com

Warranty Statement: Except for the warranty expressly provided for [herein/above/below], Dialight disclaims any and all other warranties, express or implied, including, without limitation, any warranties of merchantability, fitness for a particular purpose, title, and noninfringement.

Watertight Right Angle Panel Mount Indicators



Certifications & Ratings

- RoHS compliant
- NEMA 4X
- IP67

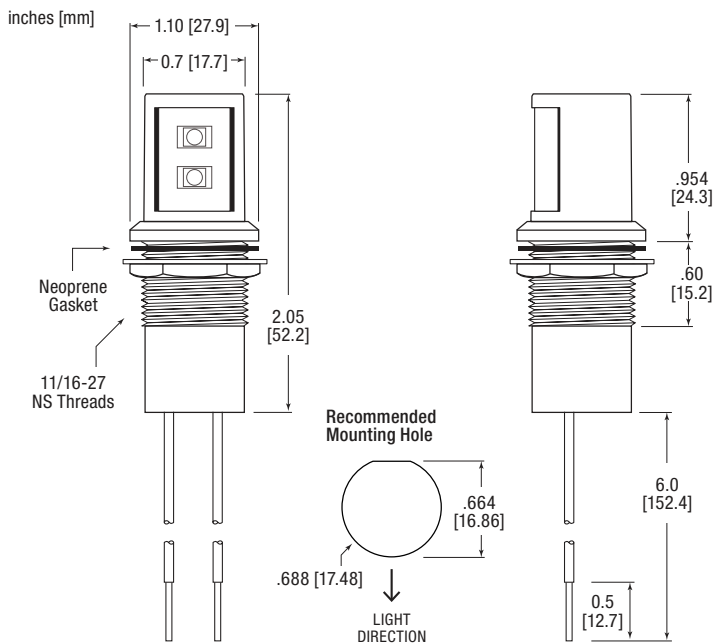
Application

The 657 Series LED Panel Mount Indicators are designed with a highly durable watertight housing. These indicators are designed for a variety of applications such as:

- Instrument Panels
- Gauge
- Dash Boards
- Storage Compartments
- Control Panels

... and many more!

Dimensions



Mechanical Information

Mounting Hole Size: 0.687" (17.46 mm)

Max Panel Thickness: 0.350" (8.89 mm)

Mounting Torque: 15 in-lbs

Specifications

Voltage Options: 12–32 VDC (no resistor required)

Operating Temp: -35 °C to +65 °C (-31 °F to +149 °F)

Storage Temp: -40 °C to +100 °C (-40 °F to +212 °F)

Electrical

Connection: 18 AWG anti-capillary wire

Housing: Polycarbonate (UL 94V-0)

Lens Material: Transparent polycarbonate (UL 94V-0)

Wire Leads: 6"

Lock Washer: White Nickel Plated Bronze

Nut: White Nickel Plated Brass

Ordering Information 657 Series

| Part Number | Color | Voltage (V DC) | Current (mA) | Intensity Typ. (mcd) |
|---------------|--------------|----------------|--------------|----------------------|
| 657-3009-213F | ○ Cool White | 12–32 | 24 | 2700 |
| 657-3009-804F | ● Red | | | 1850 |
| 657-3009-803F | ● Green | | | 2600 |
| 657-3009-808F | ● Orange | | | 3500 |
| 657-3009-806F | ● Blue | | | 600 |

Dialight reserves the right to make changes at any time in order to supply the best product possible. The most current version of this document will always be available at: www.dialightsignalsandcomponents.com

Warranty Statement: Except for the warranty expressly provided for [herein/above/below], Dialight disclaims any and all other warranties, express or implied, including, without limitation, any warranties of merchantability, fitness for a particular purpose, title, and noninfringement.





Certifications & Ratings

- RoHS compliant

Application

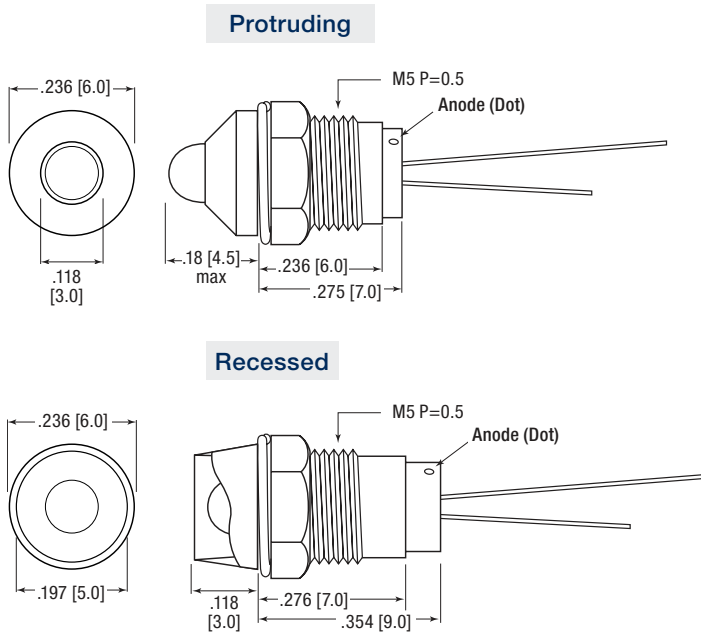
The 675 Series LED Panel Mount Indicators are designed for a variety of applications such as:

- Main power indication
- Remote power indication
- Status indication
- Maintenance and warning indication
- Instrumentation

... and many more!

Dimensions

inches [mm]



Mechanical Information

- Mounting Hole Size:** 0.205" (5.2 mm)
- Max Panel Thickness:** 0.138" (3.5 mm)
- Mounting Torque:** 0.362 lbs/ft (5 kg/cm)

Specifications

- Voltage Options:** 2 (red, orange) and 3.3 (green, blue, white) VDC (resistor required on both voltages)
- Operating temp:** -30 °C to +85 °C (-22 °F to +185 °F)
- Storage Temp:** -40 °C to +100 °C (-40 °F to +212 °F)
- Electrical Connection:** Through hole leads
- Housing:** Brass—Chrome plated
- Terminals:** Copper—Nickel Plated
- Lock washer:** Iron—Nickel Plated
- Nut:** Brass—Nickel Plated



Ordering Information 675 Series

| Part Number Guide | | RoHS Compliant | | | | | | | | | | |
|-------------------|---|----------------|---|----------|---|---|---|---|---|---|---|---|
| 6 | 7 | 5 | - | X | X | 1 | 1 | - | 1 | 1 | 0 | F |
| LED Position | | | | Color | | | | | | | | |
| <i>Protruding</i> | 1 | 1 | | ● Red | | | | | | | | |
| <i>Recessed</i> | 2 | 2 | | ● Green | | | | | | | | |
| | | 3 | | ● Orange | | | | | | | | |
| | | 4 | | ● Blue | | | | | | | | |
| | | 5 | | ○ White | | | | | | | | |

| Part Number | Color | Voltage (V DC) | Current (mA) | Typical Intensity (mcd) |
|-------------|-------|----------------|--------------|-------------------------|
|-------------|-------|----------------|--------------|-------------------------|

Protruding

| | | | | |
|---------------|----------|-----|----|-------|
| 675-1111-110F | ● Red | 2 | 20 | 9110 |
| 675-1211-110F | ● Green | 3.3 | | 11380 |
| 675-1311-110F | ● Orange | 2 | | 9110 |
| 675-1411-110F | ● Blue | 3.3 | | 2810 |
| 675-1511-110F | ○ White | 3.3 | | 5100 |

Recessed

| | | | | |
|---------------|----------|-----|----|-------|
| 675-2111-110F | ● Red | 2 | 20 | 5650 |
| 675-2211-110F | ● Green | 3.3 | | 11520 |
| 675-2311-110F | ● Orange | 2 | | 7810 |
| 675-2411-110F | ● Blue | 3.3 | | 3810 |
| 675-2511-110F | ○ White | 3.3 | | 6220 |

Dialight reserves the right to make changes at any time in order to supply the best product possible. The most current version of this document will always be available at: www.dialightsignalsandcomponents.com

Warranty Statement: Except for the warranty expressly provided for [herein/above/below], Dialight disclaims any and all other warranties, express or implied, including, without limitation, any warranties of merchantability, fitness for a particular purpose, title, and noninfringement.



Certifications & Ratings

- RoHS compliant

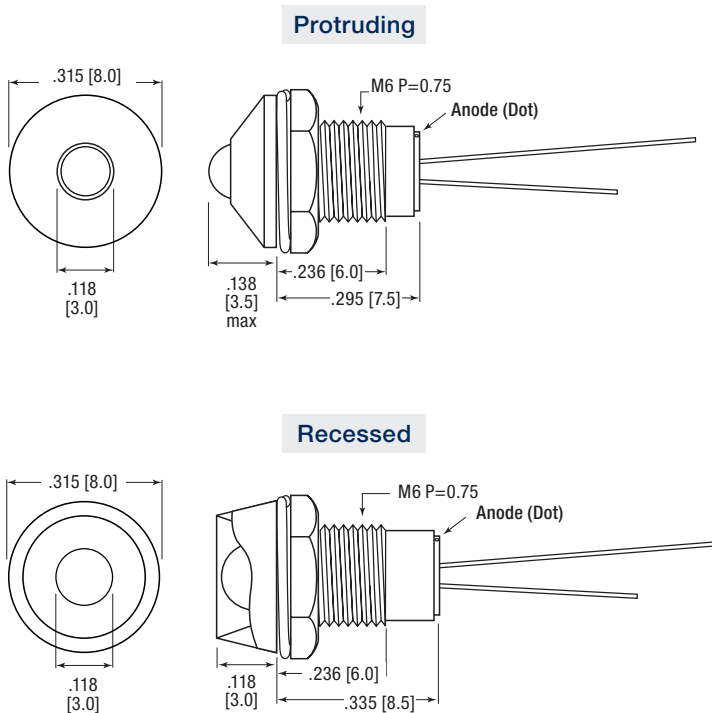
Application

The 676 Series LED Panel Mount Indicators are designed with a highly durable watertight housing. These indicators are designed for a variety of applications such as:

- Main power indication
 - Remote power indication
 - Status indication
 - Maintenance and warning indication
 - Instrumentation
- ... and many more!

Dimensions

inches [mm]



Mechanical Information

- Mounting Hole Size:** 0.244" (6.2 mm)
- Max Panel Thickness:** 0.138" (3.5 mm)
- Mounting Torque:** 0.362 lbs/ft (5 kg/cm)

Specifications

- Voltage Options:** 2 (red, orange) and 3.3 (green, blue, white) VDC (resistor required on both voltages)
- Operating temp:** -30 °C to +85 °C (-22 °F to +185 °F)
- Storage Temp:** -40 °C to +100 °C (-40 °F to +212 °F)
- Electrical Connection:** Through hole leads
- Housing:** Brass – Chrome Plated
- Terminals:** Copper – Nickel Plated
- Lock washer:** Iron – Nickel Plated
- Nut:** Brass – Nickel Plated

Ordering Information 676 Series

| Part Number | Color | Voltage (V DC) | Current (mA) | Typical Intensity* (mcd) |
|-------------|-------|----------------|--------------|--------------------------|
|-------------|-------|----------------|--------------|--------------------------|

Protruding

| | | | | |
|---------------|----------|-----|----|-------|
| 676-1111-110F | ● Red | 2 | 20 | 7720 |
| 676-1211-110F | ● Green | 3.3 | | 10100 |
| 676-1311-110F | ● Orange | 2 | | 7810 |
| 676-1411-110F | ● Blue | 3.3 | | 2980 |
| 676-1511-110F | ○ White | 3.3 | | 6150 |

Recessed

| | | | | |
|---------------|----------|-----|----|-------|
| 676-2111-110F | ● Red | 2 | 20 | 5650 |
| 676-2211-110F | ● Green | 3.3 | | 11520 |
| 676-2311-110F | ● Orange | 2 | | 7810 |
| 676-2411-110F | ● Blue | 3.3 | | 3810 |
| 676-2511-110F | ○ White | 3.3 | | 6220 |

Dialight reserves the right to make changes at any time in order to supply the best product possible. The most current version of this document will always be available at: www.dialightsignalsandcomponents.com

Warranty Statement: Except for the warranty expressly provided for [herein/above/below], Dialight disclaims any and all other warranties, express or implied, including, without limitation, any warranties of merchantability, fitness for a particular purpose, title, and noninfringement.



Certifications & Ratings

- RoHS compliant
- NEMA 4X (with gasket)
- IP66 (with gasket)

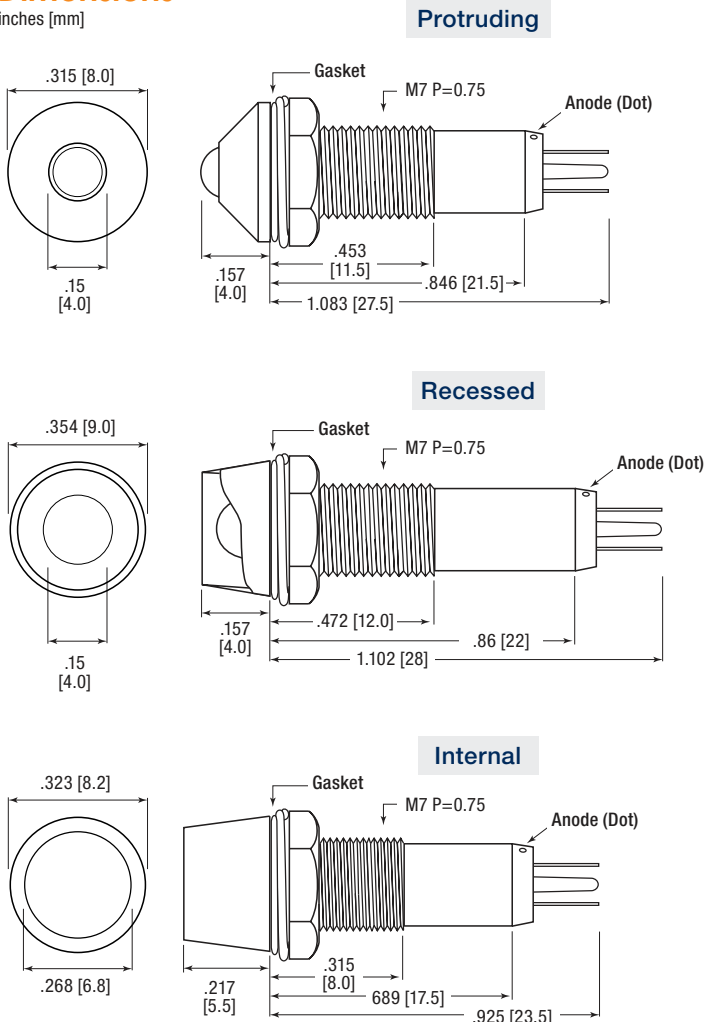
Application

The 677 Series LED Panel Mount Indicators are designed for a variety of applications such as:

- Main power indication
 - Remote power indication
 - Status indication
 - Maintenance and warning indication
 - Instrumentation
- ... and many more!

Dimensions

inches [mm]

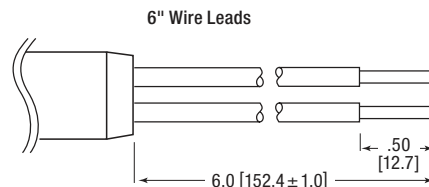


Mechanical Information

- Mounting Hole Size:** 0.283" (7.2 mm)
- Max Panel Thickness:** See part numbers
- Mounting Torque:** 0.362 lbs/ft (5 kg/cm)
0.217 lbs/ft or 3 kg/cm (Figure 3)

Specifications

- Voltage Options:** 6, 12 & 24 VDC (no resistor required)
- Operating Temp:** -20 °C to +75 °C (-4 °F to +167 °F)
- Storage Temp:** -40 °C to +100 °C (-40 °F to +212 °F)
- Electrical Connection:** Solder terminals and 6" wire leads
- Housing:**
 - Protruding position: Brass—Chrome or Black Plated
 - Recessed position: Brass—Chrome Plated
 - Internal position: Polycarbonate
- Terminals:** Copper—Nickel Plated
- Lock Washer:** Iron—Nickel Plated
- Nut:** Brass—Nickel Plated



Protruding Lens

| Chrome Plated Brass Housing | | Black Plated Brass Housing | | Color | Voltage (VDC) | Current (mA) | Intensity Typ. (mcd) | Panel Thickness |
|-----------------------------|---------------|----------------------------|---------------|----------|---------------|--------------|----------------------|---------------------|
| Terminals | Wire Leads | Terminals | Wire Leads | | | | | |
| 677-1112-321F | 677-1115-321F | 677-1122-321F | 677-1125-321F | ● Red | 6 | 15 | 825 | 0.265" (6.75 mm) |
| 677-1212-322F | 677-1215-322F | 677-1222-322F | 677-1225-322F | ● Green | | | 4135 | |
| 677-1312-323F | 677-1315-323F | 677-1322-323F | 677-1325-323F | ● Orange | | | 560 | |
| 677-1412-324F | 677-1415-324F | 677-1422-324F | 677-1425-324F | ● Blue | | | 700 | |
| 677-1112-331F | 677-1115-331F | 677-1122-331F | 677-1125-331F | ● Red | 12 | | 825 | |
| 677-1212-332F | 677-1215-332F | 677-1222-332F | 677-1225-332F | ● Green | | | 4135 | |
| 677-1312-333F | 677-1315-333F | 677-1322-333F | 677-1325-333F | ● Orange | | | 560 | |
| 677-1412-334F | 677-1415-334F | 677-1422-334F | 677-1425-334F | ● Blue | | | 700 | |
| 677-1112-341F | 677-1115-341F | 677-1122-341F | 677-1125-341F | ● Red | 24 | | 825 | |
| 677-1212-342F | 677-1215-342F | 677-1222-342F | 677-1225-342F | ● Green | | | 4135 | |
| 677-1312-343F | 677-1315-343F | 677-1322-343F | 677-1325-343F | ● Orange | | | 560 | |
| 677-1412-344F | 677-1415-344F | 677-1422-344F | 677-1425-344F | ● Blue | | | 700 | |

Recessed Lens

| Chrome Plated Brass Housing | | Color | Voltage (VDC) | Current (mA) | Intensity Typ. (mcd) | Panel Thickness |
|-----------------------------|---------------|----------|---------------|--------------|----------------------|---------------------|
| Terminals | Wire Leads | | | | | |
| 677-2112-321F | 677-2115-321F | ● Red | 6 | 15 | 925 | 0.336" (8.50 mm) |
| 677-2212-322F | 677-2215-322F | ● Green | | | 4135 | |
| 677-2312-323F | 677-2315-323F | ● Orange | | | 600 | |
| 677-2412-324F | 677-2415-324F | ● Blue | | | 730 | |
| 677-2112-331F | 677-2115-331F | ● Red | 12 | | 925 | |
| 677-2212-332F | 677-2215-332F | ● Green | | | 4135 | |
| 677-2312-333F | 677-2315-333F | ● Orange | | | 600 | |
| 677-2412-334F | 677-2415-334F | ● Blue | | | 730 | |
| 677-2112-341F | 677-2115-341F | ● Red | 24 | | 925 | |
| 677-2212-342F | 677-2215-342F | ● Green | | | 4135 | |
| 677-2312-343F | 677-2315-343F | ● Orange | | | 600 | |
| 677-2412-344F | 677-2415-344F | ● Blue | | | 730 | |

Internal Lens - Polycarbonate Housing

| Part Number | Part Number | Color | Voltage (VDC) | Current (mA) | Intensity Typ. (mcd) | Panel Thickness |
|---------------|---------------|----------|---------------|--------------|----------------------|---------------------|
| Terminals | Wire Leads | | | | | |
| 677-3132-321F | 677-3135-321F | ● Red | 6 | 15 | 1370 | 0.187" (4.75 mm) |
| 677-3232-322F | 677-3235-322F | ● Green | | | 5500 | |
| 677-3332-323F | 677-3335-323F | ● Orange | | | 1280 | |
| 677-3432-324F | 677-3435-324F | ● Blue | | | 1200 | |
| 677-3132-331F | 677-3135-331F | ● Red | 12 | | 1370 | |
| 677-3232-332F | 677-3235-332F | ● Green | | | 5500 | |
| 677-3332-333F | 677-3335-333F | ● Orange | | | 1280 | |
| 677-3432-334F | 677-3435-334F | ● Blue | | | 1200 | |
| 677-3132-341F | 677-3135-341F | ● Red | 24 | | 1370 | |
| 677-3232-342F | 677-3235-342F | ● Green | | | 5500 | |
| 677-3332-343F | 677-3335-343F | ● Orange | | | 1280 | |
| 677-3432-344F | 677-3435-344F | ● Blue | | | 1200 | |

Dialight reserves the right to make changes at any time in order to satisfy customer requirements. **Warranty Statement:** Except for the warranty expressly provided for [particular purpose, title, and noninfringement.



Certifications & Ratings

- RoHS compliant
- IP66 (protruding type only)

Application

The 678 Series LED Panel Mount Indicators are designed for a variety of applications such as:

- Main power indication
- Remote power indication
- Status indication
- Maintenance and warning indication
- Instrumentation
- ... and many more!

Dimensions

inches [mm]

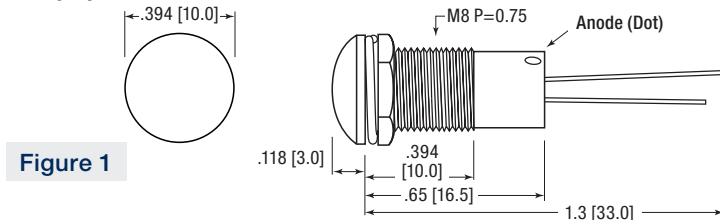


Figure 1

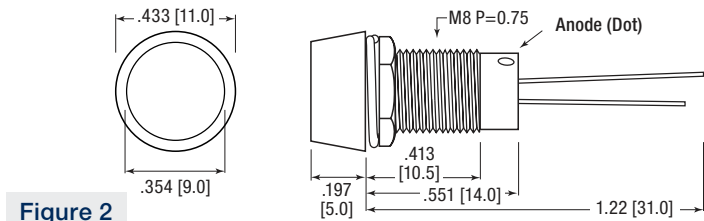


Figure 2

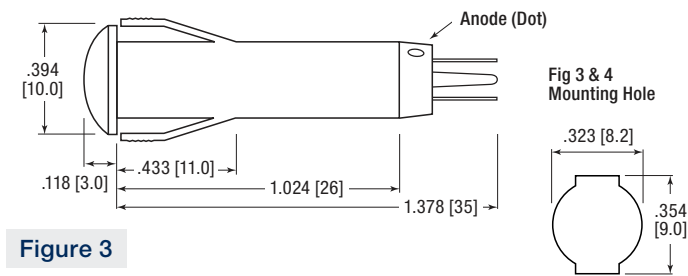


Figure 3

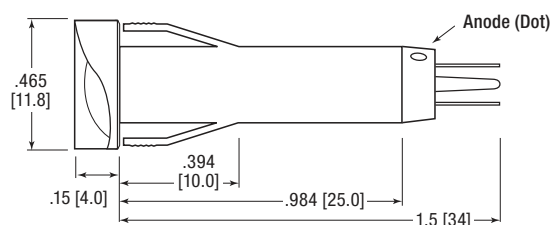


Figure 4

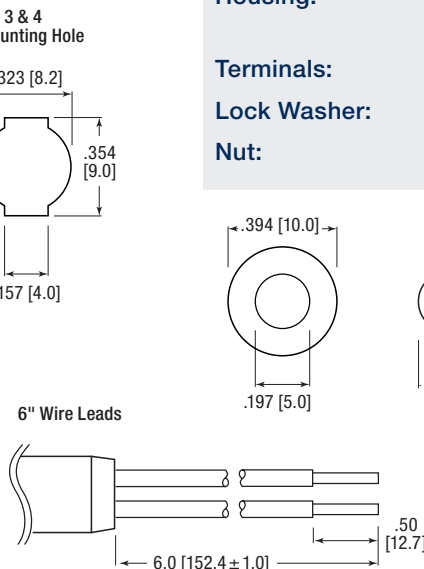


Figure 5

Mechanical Information

Mounting Hole Size: 0.323" (8.2 mm) [Fig. 1 & 2]; 0.335" (8.5 mm) [Fig. 5]; see diagram for Figs. 3 & 4

Max Panel Thickness: see part number table

Mounting Torque: 0.271 lbs/ft (3 kg/cm) [Fig. 1 & 2]
0.362 lbs/ft (5 kg/cm) torque [Fig. 5]

Specifications

Operating Voltage: 2 & 3.3 VDC [Fig. 1 & 2]; 6, 12 & 24 VDC [Fig. 3, 4, & 5] (no resistor required)

Operating Temp: -20°C to +75°C (-4°F to 167°F)

Storage Temp: -40°C to +100°C (-40°F to 212°F)

Electrical Connection: Straight leads [Fig. 1 & 2]; Solder terminals or 6" wire leads [Fig. 3, 4, & 5]

Housing: Protruding: Chrome plated brass; Internal position: Polycarbonate

Terminals: Copper – Nickel Plated

Lock Washer: Iron – Nickel Plated

Nut: Brass – Nickel Plated



| Part Number | Color | Voltage (V DC) | Current (mA) | Typical Intensity (mcd) | Viewing Angle | LED Position | Fig. # | Mount Style | Panel Thickness |
|----------------|-------|----------------|--------------|-------------------------|---------------|--------------|--------|-------------|-----------------|
| Straight Leads | | | | | | | | | |

Ordering Information 678

Polycarbonate

| | | | | | | | | | |
|---------------|----------|-----|----|-------|----|----------|---|-------------------|-----------------|
| 678-1131-111F | ● Red | 2 | 15 | 2210 | 4 | Internal | 1 | Lock washer & nut | .2165" (5.5 mm) |
| 678-1231-112F | ● Green | 3.3 | | 46860 | | | | | |
| 678-1331-113F | ● Orange | 2 | | 2210 | | | | | |
| 678-1431-114F | ● Blue | 3.3 | | 7100 | | | | | |
| 678-3131-111F | ● Red | 2 | | 3020 | 40 | | 2 | | |
| 678-3231-112F | ● Green | 3.3 | | 30600 | 20 | | | | |
| 678-3331-113F | ● Orange | 2 | | 3260 | 20 | | | | |
| 678-3431-114F | ● Blue | 3.3 | | 4360 | 40 | | | | |

| Solder Terminals | 6" Wire Leads | Color | Lead Length | Typical Intensity (mcd) | Viewing Angle | LED Position | Fig. # | Mount Style | Panel Thickness |
|------------------|---------------|----------|-------------|-------------------------|---------------|--------------|--------|-------------|-----------------|
| 678-1132-221F | 678-1135-221F | ● Red | 6 | 2210 | 5 | Internal | 3 | Snap-fit | 0.197" (5.0 mm) |
| 678-1232-222F | 678-1235-222F | ● Green | | 41430 | 6 | | | | |
| 678-1332-223F | 678-1335-223F | ● Orange | | 8535 | 10 | | | | |
| 678-1432-224F | 678-1435-224F | ● Blue | | 5473 | 6 | | | | |
| 678-1132-231F | 678-1135-231F | ● Red | 12 | 2210 | 5 | | | | |
| 678-1232-232F | 678-1235-232F | ● Green | | 41430 | 6 | | | | |
| 678-1332-233F | 678-1335-233F | ● Orange | | 8535 | 10 | | | | |
| 678-1432-234F | 678-1435-234F | ● Blue | | 5473 | 6 | | | | |
| 678-1132-241F | 678-1135-241F | ● Red | 24 | 2210 | 5 | | | | |
| 678-1232-242F | 678-1235-242F | ● Green | | 41430 | 6 | | | | |
| 678-1332-243F | 678-1335-243F | ● Orange | | 8535 | 10 | | | | |
| 678-1432-244F | 678-1435-244F | ● Blue | | 5473 | 6 | | | | |
| 678-2132-221F | 678-2135-221F | ● Red | 6 | 12700 | 5 | Internal | 4 | Snap-fit | 0.197" (5.0 mm) |
| 678-2232-222F | 678-2235-222F | ● Green | | 16490 | 15 | | | | |
| 678-2332-223F | 678-2335-223F | ● Orange | | 5780 | 8 | | | | |
| 678-2432-224F | 678-2435-224F | ● Blue | | 2514 | 20 | | | | |
| 678-2132-231F | 678-2135-231F | ● Red | 12 | 12700 | 5 | | | | |
| 678-2232-232F | 678-2235-232F | ● Green | | 16490 | 15 | | | | |
| 678-2332-233F | 678-2335-233F | ● Orange | | 5780 | 8 | | | | |
| 678-2432-234F | 678-2435-234F | ● Blue | | 2514 | 20 | | | | |
| 678-2132-241F | 678-2135-241F | ● Red | 24 | 12700 | 5 | | | | |
| 678-2232-242F | 678-2235-242F | ● Green | | 16490 | 15 | | | | |
| 678-2332-243F | 678-2335-243F | ● Orange | | 5780 | 8 | | | | |
| 678-2432-244F | 678-2435-244F | ● Blue | | 2514 | 20 | | | | |

White Nickel

| | | | | | | | | | |
|---------------|---------------|----------|----|------|----|------------|---|-------------------|-----------------|
| 678-1112-321F | 678-1115-321F | ● Red | 6 | 320 | 20 | Protruding | 5 | Lock washer & nut | .3158" (8.0 mm) |
| 678-1212-322F | 678-1215-322F | ● Green | | 2920 | | | | | |
| 678-1312-323F | 678-1315-323F | ● Orange | | 490 | | | | | |
| 678-1412-324F | 678-1415-324F | ● Blue | | 220 | | | | | |
| 678-1112-331F | 678-1115-331F | ● Red | 12 | 320 | | | | | |
| 678-1212-332F | 678-1215-332F | ● Green | | 2920 | | | | | |
| 678-1312-333F | 678-1315-333F | ● Orange | | 490 | | | | | |
| 678-1412-334F | 678-1415-334F | ● Blue | | 220 | | | | | |
| 678-1112-341F | 678-1115-341F | ● Red | 24 | 320 | | | | | |
| 678-1212-342F | 678-1215-342F | ● Green | | 2920 | | | | | |
| 678-1312-343F | 678-1315-343F | ● Orange | | 490 | | | | | |
| 678-1412-344F | 678-1415-344F | ● Blue | | 220 | | | | | |

Dialight reserves the right to make changes at any time in order to supply the best product possible. The most current version of this document will always be available at: www.dialightsignalsandcomponents.com

Warranty Statement: Except for the warranty expressly provided for [herein/above/below], Dialight disclaims any and all other warranties, express or implied, including, without limitation, any warranties of merchantability, fitness for a particular purpose, title, and noninfringement.



Certifications & Ratings

- RoHS compliant
- NEMA 4X (with gasket)
- IP66 (with gasket)

Application

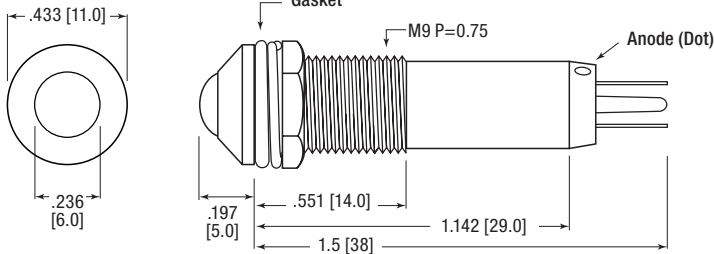
The 679 Series LED Panel Mount Indicators are designed for a variety of applications such as:

- Main power indication
 - Remote power indication
 - Status indication
 - Maintenance and warning indication
 - Instrumentation
- ... and many more!

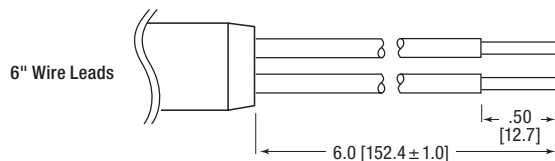
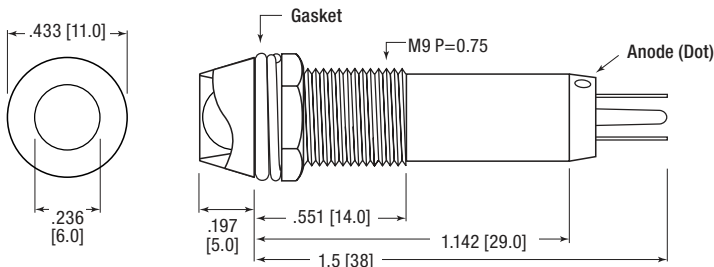
Dimensions

inches [mm]

Protruding



Recessed



Mechanical Information

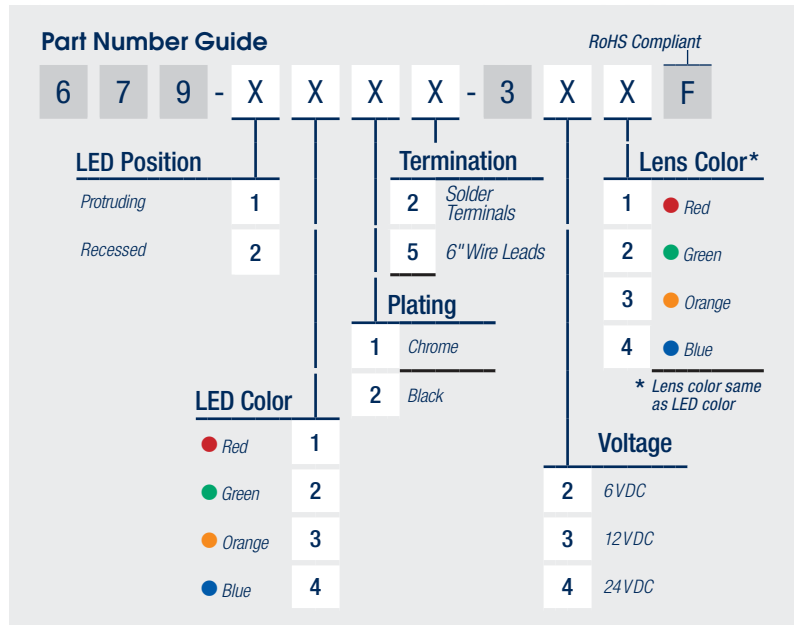
- Mounting Hole Size:** 0.374" (9.5 mm)
- Max Panel Thickness:** 0.374" (9.5 mm);
with Gasket: 0.318" (8.0 mm)
- Mounting Torque:** 0.362 lbs/ft (5 kg/cm)

Specifications

- Voltage Options:** 6, 12 & 24 V DC (no resistor required)
- Operating Temp:** -20°C to +75°C (-4°F to +167°F)
- Storage Temp:** -40°C to +100°C (-40°F to +212°F)
- Electrical Connection:** Solder terminals, 6" wire leads
- Housing:** Brass—Chrome or Black Plated
- Terminals:** Copper—Nickel Plated
- Lock washer:** Iron—Nickel Plated
- Nut:** Brass—Nickel Plated



Ordering Information 679 Series



Protruding LED

| Part Number / Termination | | Color | Voltage (V DC) | Current (mA) | Intensity Typ. (mcd) | Plating | | |
|---------------------------|---------------|--------|----------------|--------------|----------------------|---------|--------|--------|
| Solder Terminals | 6" Wire Leads | | | | | | | |
| 679-1112-321F | 679-1115-321F | Red | 6 | 15 | 485 | Chrome | | |
| 679-1212-322F | 679-1215-322F | Green | | | | | | |
| 679-1312-323F | 679-1315-323F | Orange | | | | | | |
| 679-1412-324F | 679-1415-324F | Blue | | | | | | |
| 679-1112-331F | 679-1115-331F | Red | 12 | 15 | 485 | | Chrome | |
| 679-1212-332F | 679-1215-332F | Green | | | | | | |
| 679-1312-333F | 679-1315-333F | Orange | | | | | | |
| 679-1412-334F | 679-1415-334F | Blue | | | | | | |
| 679-1112-341F | 679-1115-341F | Red | 24 | 15 | 485 | | | Chrome |
| 679-1212-342F | 679-1215-342F | Green | | | | | | |
| 679-1312-343F | 679-1315-343F | Orange | | | | | | |
| 679-1412-344F | 679-1415-344F | Blue | | | | | | |
| 679-1122-321F | 679-1125-321F | Red | 6 | 15 | 485 | Black | | |
| 679-1222-322F | 679-1225-322F | Green | | | | | | |
| 679-1322-323F | 679-1325-323F | Orange | | | | | | |
| 679-1422-324F | 679-1425-324F | Blue | | | | | | |
| 679-1122-331F | 679-1125-331F | Red | 12 | 15 | 485 | | Black | |
| 679-1222-332F | 679-1225-332F | Green | | | | | | |
| 679-1322-333F | 679-1325-333F | Orange | | | | | | |
| 679-1422-334F | 679-1425-334F | Blue | | | | | | |
| 679-1122-341F | 679-1125-341F | Red | 24 | 15 | 485 | | | Black |
| 679-1222-342F | 679-1225-342F | Green | | | | | | |
| 679-1322-343F | 679-1325-343F | Orange | | | | | | |
| 679-1422-344F | 679-1425-344F | Blue | | | | | | |

Recessed LED

| Part Number / Termination | | Color | Voltage (V DC) | Current (mA) | Intensity Typ. (mcd) | Plating | | |
|---------------------------|---------------|--------|----------------|--------------|----------------------|---------|--------|--------|
| Solder Terminals | 6" Wire Leads | | | | | | | |
| 679-2112-321F | 679-2115-321F | Red | 6 | 15 | 775 | Chrome | | |
| 679-2212-322F | 679-2215-322F | Green | | | | | | |
| 679-2312-323F | 679-2315-323F | Orange | | | | | | |
| 679-2412-324F | 679-2415-324F | Blue | | | | | | |
| 679-2112-331F | 679-2115-331F | Red | 12 | 15 | 775 | | Chrome | |
| 679-2212-332F | 679-2215-332F | Green | | | | | | |
| 679-2312-333F | 679-2315-333F | Orange | | | | | | |
| 679-2412-334F | 679-2415-334F | Blue | | | | | | |
| 679-2112-341F | 679-2115-341F | Red | 24 | 15 | 775 | | | Chrome |
| 679-2212-342F | 679-2215-342F | Green | | | | | | |
| 679-2312-343F | 679-2315-343F | Orange | | | | | | |
| 679-2412-344F | 679-2415-344F | Blue | | | | | | |
| 679-2122-321F | 679-2125-321F | Red | 6 | 15 | 775 | Black | | |
| 679-2222-322F | 679-2225-322F | Green | | | | | | |
| 679-2322-323F | 679-2325-323F | Orange | | | | | | |
| 679-2422-324F | 679-2425-324F | Blue | | | | | | |
| 679-2122-331F | 679-2125-331F | Red | 12 | 15 | 775 | | Black | |
| 679-2222-332F | 679-2225-332F | Green | | | | | | |
| 679-2322-333F | 679-2325-333F | Orange | | | | | | |
| 679-2422-334F | 679-2425-334F | Blue | | | | | | |
| 679-2122-341F | 679-2125-341F | Red | 24 | 15 | 775 | | | Black |
| 679-2222-342F | 679-2225-342F | Green | | | | | | |
| 679-2322-343F | 679-2325-343F | Orange | | | | | | |
| 679-2422-344F | 679-2425-344F | Blue | | | | | | |

Dialight reserves the right to make changes at any time in order to supply the best product possible. The most current version of this document will always be available at: www.dialightsignalsandcomponents.com

Warranty Statement: Except for the warranty expressly provided for [herein/above/below], Dialight disclaims any and all other warranties, express or implied, including, without limitation, any warranties of merchantability, fitness for a particular purpose, title, and noninfringement.



Certifications & Ratings

- RoHS compliant

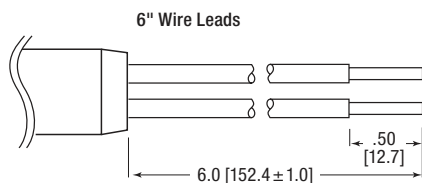
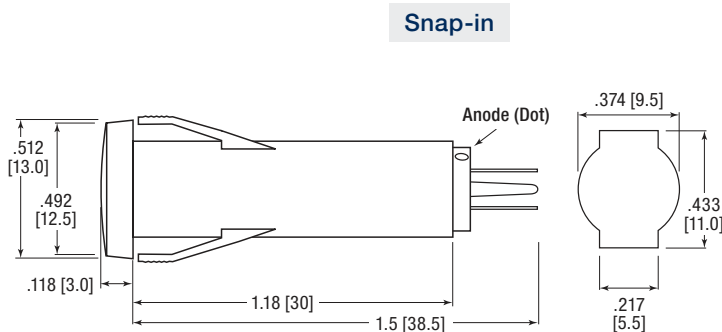
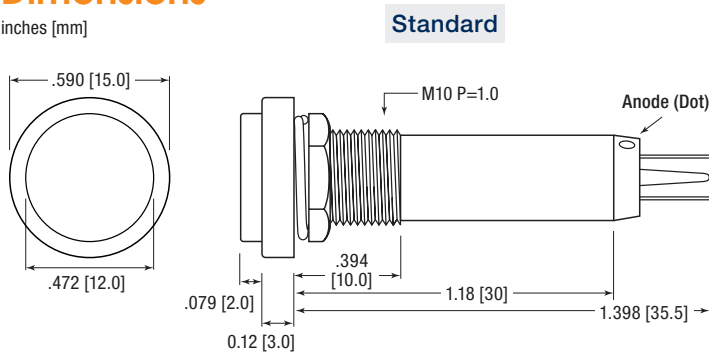
Application

The 680 Series LED Panel Mount Indicators are designed for a variety of applications such as:

- Main power indication
 - Remote power indication
 - Status indication
 - Maintenance and warning indication
 - Instrumentation
- ... and many more!

Dimensions

inches [mm]



Mechanical Information

- Mounting Hole Size:** 0.413" (10.5 mm) (Standard)
Snap-in, see drawing
- Max Panel Thickness:** 0.236" (6.0 mm) (Standard);
0.098" (2.49 mm) (Snap-in)
- Mounting Torque:** 0.217 lbs/ft (3 kg/cm) (Standard)

Specifications

- Voltage Options:** 6, 12, & 24 VDC (no resistor required)
- Operating Temp:** -20°C to +75°C (-4°F to +167°F)
- Storage Temp:** -40°C to +100°C (-40°F to +212°F)
- Electrical Connection:** Solder terminals, 6" wire leads
- Housing:** Polycarbonate
- Terminals:** Copper—Nickel Plated
- Lock Washer:** Iron—Nickel Plated
- Nut:** Brass—Nickel Plated



Ordering Information

680 Series

Part Number Guide

RoHS Compliant

6 8 0 - 3 X 3 X - X X X F

| LED Color* | | Termination | | Mounting Style | | Lens Color* | | Voltage | |
|------------|---|------------------|--|----------------|--|-------------|----------|---------|-------|
| ● Red | 1 | Solder Terminals | | Standard | | 1 | ● Red | 2 | 6VDC |
| ● Green | 2 | 6" Wire Leads | | Snap-in | | 2 | ● Green | 3 | 12VDC |
| ● Orange | 3 | | | | | 3 | ● Orange | 4 | 24VDC |
| ● Blue | 4 | | | | | 4 | ● Blue | | |

* Lens color same as LED color

| Dialight P/N | | | Color | Current (mA) | Typical Intensity (mcd) | Panel Thickness | Termination |
|--------------|--------|--------|-------|--------------|-------------------------|-----------------|-------------|
| 6 VDC | 12 VDC | 24 VDC | | | | | |

Standard

| | | | | | | | |
|---------------|---------------|---------------|----------|----|------|-------------------|------------------|
| 680-3132-121F | 680-3132-131F | 680-3132-141F | ● Red | 15 | 1530 | 0.236" (6.0mm) | Solder Terminals |
| 680-3232-122F | 680-3232-132F | 680-3232-142F | ● Green | | 4330 | | |
| 680-3332-123F | 680-3332-133F | 680-3332-143F | ● Orange | | 1455 | | |
| 680-3432-124F | 680-3432-134F | 680-3432-144F | ● Blue | | 245 | | |
| 680-3135-121F | 680-3135-131F | 680-3135-141F | ● Red | | 1530 | | Wire Leads |
| 680-3235-122F | 680-3235-132F | 680-3235-142F | ● Green | | 4330 | | |
| 680-3335-123F | 680-3335-133F | 680-3335-143F | ● Orange | | 1455 | | |
| 680-3435-124F | 680-3435-134F | 680-3435-144F | ● Blue | | 245 | | |

Snap-in

| | | | | | | | |
|---------------|---------------|---------------|----------|----|------|-------------------|------------------|
| 680-3132-221F | 680-3132-231F | 680-3132-241F | ● Red | 15 | 335 | 0.098" (2.5mm) | Solder Terminals |
| 680-3232-222F | 680-3232-232F | 680-3232-242F | ● Green | | 4070 | | |
| 680-3332-223F | 680-3332-233F | 680-3332-243F | ● Orange | | 1025 | | |
| 680-3432-224F | 680-3432-234F | 680-3432-244F | ● Blue | | 730 | | |
| 680-3135-221F | 680-3135-231F | 680-3135-241F | ● Red | | 335 | | Wire Leads |
| 680-3235-222F | 680-3235-232F | 680-3235-242F | ● Green | | 4070 | | |
| 680-3335-223F | 680-3335-233F | 680-3335-243F | ● Orange | | 1025 | | |
| 680-3435-224F | 680-3435-234F | 680-3435-244F | ● Blue | | 730 | | |

Dialight reserves the right to make changes at any time in order to supply the best product possible. The most current version of this document will always be available at: www.dialightsignalsandcomponents.com

Warranty Statement: Except for the warranty expressly provided for [herein/above/below], Dialight disclaims any and all other warranties, express or implied, including, without limitation, any warranties of merchantability, fitness for a particular purpose, title, and noninfringement.

12 mm High Intensity Panel Mount Indicators



Certifications & Ratings

- RoHS compliant

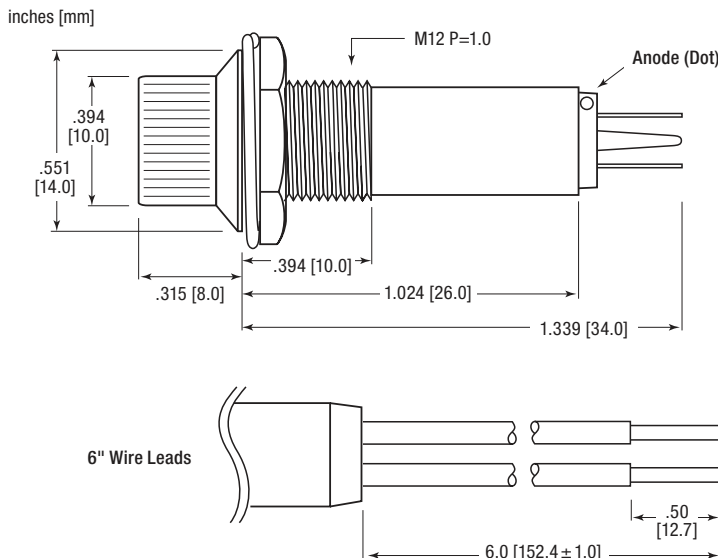
Application

The 682 Series LED Panel Mount Indicators are designed for a variety of applications such as:

- Main power indication
- Remote power indication
- Status indication
- Maintenance and warning indication
- Instrumentation

... and many more!

Dimensions



Mechanical Information

- Mounting Hole Size:** 0.492" (12.5 mm)
- Max Panel Thickness:** 0.236" (6.0 mm)
- Mounting Torque:** 0.217 lbs/ft (3 kg/cm)

Specifications

- Voltage Options:** 6, 12 & 24 VDC (no resistor required)
- Operating Temp:** -20 °C to +75 °C (-4 °F to +167 °F)
- Storage Temp:** -40 °C to +100 °C (-40 °F to +212 °F)
- Electrical Connection:** Solder terminals and 6" wire leads
- Housing:** Polycarbonate
- Terminals:** Copper—Nickel Plated
- Lock Washer:** Iron—Nickel Plated
- Nut:** Brass—Nickel Plated

Ordering Information

682 Series

| Part Number | | Color | Voltage (VDC) | Current (mA) | Intensity Typ. (mcd) |
|---------------|---------------|--------|---------------|--------------|----------------------|
| Terminals | Wire Leads | | | | |
| 682-3132-121F | 682-3135-121F | Red | 6 | 15 | 510 |
| 682-3232-122F | 682-3235-122F | Green | | | 2225 |
| 682-3332-123F | 682-3335-123F | Orange | | | 510 |
| 682-3432-124F | 682-3435-124F | Blue | | | 260 |
| 682-3132-131F | 682-3135-131F | Red | 12 | | 510 |
| 682-3232-132F | 682-3235-132F | Green | | | 2225 |
| 682-3332-133F | 682-3335-133F | Orange | | | 510 |
| 682-3432-134F | 682-3435-134F | Blue | | | 260 |
| 682-3132-141F | 682-3135-141F | Red | 24 | | 510 |
| 682-3232-142F | 682-3235-142F | Green | | | 2225 |
| 682-3332-143F | 682-3335-143F | Orange | | | 510 |
| 682-3432-144F | 682-3435-144F | Blue | | | 260 |



LED Based Bulbs

Quick Reference



Application

With the technological advancements in Light Emitting Diodes (LEDs) brightness can now rival the incandescent lamp when used in similar packages. These advancements have allowed for a new type of product called the Based LED, an LED with the fit and functionality of an incandescent light bulb

- High reliability - vibration and shock resistant
- Multi-chip, Cluster, and Single Ultra-Bright Chip
- AllnGaP and InGaN die technology
- Polarized and non-polarized
- Single and multi-voltage input

...and many more!

Certifications & Ratings

- RoHS compliant

Considerations

Since lens caps act as filters for the light emitted from the based LED, it is important to match the emitting color of the LED. If not matched properly, the overall light output may be substantially reduced. Dialight recommends using transparent lenses, which will optimize the light output.

- Although these lamps can be operated at a lower voltage, which will increase the life, the intensity will be reduced.
- Operation of the based LED at a higher voltage should not exceed 10% above the recommended voltage.
- Dialight does not recommend that based LED lamps be used in neon sockets.

| Base Style | Configuration | Color | 6 VDC | 12-24 VDC | 24-48 VDC | 120 VAC | Polarized | 6-36 VDC | ROHS Compliant |
|---------------------------------|--------------------|-------------------------------------|-------|-----------|-----------|---------|---------------------------|----------|----------------|
| T1 3/4 Midget Flange | Single Chip | Red / Green / Yellow / Blue / White | • | • | • | | Polarized | | • |
| T1 3/4 Midget Flange | Multi Chip | Red / Green / Yellow | • | • | • | | Polarized / Non-Polarized | | |
| T1 3/4 Wedge (T5) | Single / Dual Chip | Red / Green / Yellow / Blue / White | • | • | • | | Non-Polarized | | • |
| T1 3/4 Wedge (T5) | Multi Chip | Red / Green / Yellow | • | • | • | | Polarized / Non-Polarized | | |
| T1 3/4 Bi-Pin | Single Chip | Red / Green / Yellow / Blue / White | • | • | • | | Polarized | | • |
| T1 3/4 Bi-Pin | Multi Chip | Red / Green / Yellow | • | • | • | | Polarized / Non-Polarized | | |
| T2 Telephone Slide | Single Chip | Red / Green / Yellow / Blue / White | | | • | | Non-Polarized | | • |
| T3 1/4 Miniature Bayonet (BA9s) | Single Chip | Red / Green / Yellow / Blue / White | • | • | • | | Polarized / Non-Polarized | • | • |
| T3 1/4 Miniature Bayonet (BA9s) | Cluster | Red / Green / Yellow / Blue / White | • | • | • | • | Polarized / Non-Polarized | | • |
| T3 1/4 Miniature Screw (E10) | Single Chip | Red / Green / Yellow / Blue / White | • | • | • | | Non-Polarized | • | • |
| T3 1/4 Wedge (T10) | Cluster | Red / Green / Yellow / Blue / White | • | • | • | | Non-Polarized | | • |
| 15mm Bayonet (BA15s) | Custer | Red / Green / Yellow / Blue / White | | • | • | | Polarized | | • |

Single Chip Based LED - T1 3/4 Midget Flange



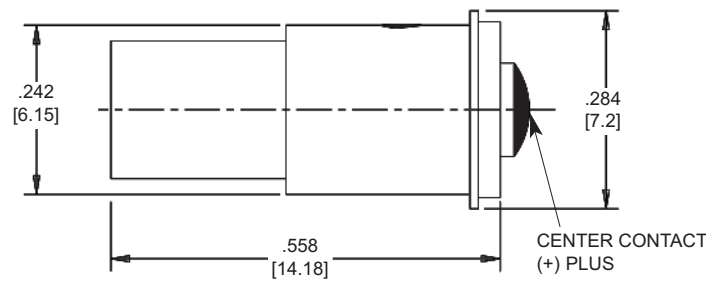
Features/Benefits:

- RoHS compliant
- Longer life
- Energy savings - 90% less power required
- High reliability - vibration and shock resistant
- Mounts directly into industry standard socket
- AllnGaP and InGaN die technology
- Super bright single chip design
- No heat generated

Specifications

| | |
|-------------------------|-----------------------------------|
| Base: | T1 3/4 Midget Flange |
| Voltage Options: | 6,14, and 28 V DC |
| Operating Temp: | -40°C to +80°C (-40°F to +176°F) |
| Storage Temp: | -40°C to +100°C (-40°F to +212°F) |

Dimensions



Measurements are typical
Dimension are in Inches [mm]

| Part Number | Color | Peak Wavelength (nm) | Voltage (V DC) | Current Typ. (mA) | Intensity Typ. (mcd) |
|---------------|--------|----------------------|----------------|-------------------|----------------------|
| 586-1101-101F | Red | 639 | 6 | 10 | 775 |
| 586-1102-101F | Green | 520 | 6 | 10 | 600 |
| 586-1103-101F | Yellow | 592 | 6 | 10 | 775 |
| 586-1105-101F | Blue | 467 | 6 | 10 | 210 |
| 586-1106-101F | White | * | 6 | 10 | 460 |
| 586-1101-103F | Red | 639 | 14 | 10 | 775 |
| 586-1102-103F | Green | 520 | 14 | 10 | 600 |
| 586-1103-103F | Yellow | 592 | 14 | 10 | 775 |
| 586-1105-103F | Blue | 467 | 14 | 10 | 210 |
| 586-1106-103F | White | * | 14 | 10 | 460 |
| 586-1101-105F | Red | 639 | 28 | 10 | 775 |
| 586-1102-105F | Green | 520 | 28 | 10 | 600 |
| 586-1103-105F | Yellow | 592 | 28 | 10 | 775 |
| 586-1105-105F | Blue | 467 | 28 | 10 | 210 |
| 586-1106-105F | White | * | 28 | 10 | 460 |

* Color coordinates: x=0.320, y=0.320

Multi-Chip Based LED - T1 3/4 Midget Flange

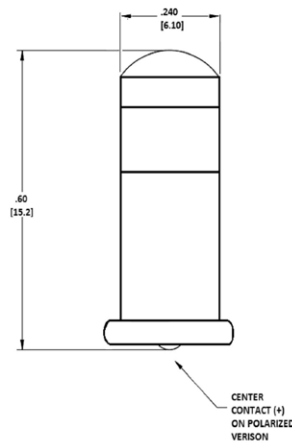


RoHS Compliant Features/Benefits

- Longer life
- Energy savings - 90% less power required
- Mounts directly into industry standard socket
- Polarized and non-polarized

| Specifications | |
|-------------------------|-----------------------------------|
| Base: | T1 3/4 Midget Flange |
| Voltage Options: | 6, 14, and 28 V DC |
| Operating Temp: | -20°C to +60°C (-4°F to +140°F) |
| Storage Temp: | -30°C to +100°C (-22°F to +212°F) |

Dimensions



Measurements are typical
Dimension are in Inches [mm]

| Part Number | Color | Peak Wavelength (nm) | Voltage (V DC) | Current Typ. (mA) | Intensity Typ. (mcd) |
|--------------------------------|--------|----------------------|----------------|-------------------|----------------------|
| Polarized LED Bulbs | | | | | |
| 585-1211F | Red | 660 | 6 | 50 | 67 |
| 585-1311F | Green | 565 | 6 | 46 | 77 |
| 585-1411F | Yellow | 585 | 6 | 44 | 22 |
| 585-1213F | Red | 660 | 14 | 30 | 60 |
| 585-1313F | Green | 565 | 14 | 28 | 70 |
| 585-1413F | Yellow | 585 | 14 | 30 | 23 |
| 585-1215F | Red | 660 | 28 | 16 | 64 |
| 585-1315F | Green | 565 | 28 | 15 | 75 |
| 585-1415F | Yellow | 585 | 28 | 15 | 23 |
| Non-Polarized LED Bulbs | | | | | |
| 585-1221F | Red | 660 | 6 | 75 | 50 |
| 585-1321F | Green | 565 | 6 | 67 | 56 |
| 585-1421F | Yellow | 585 | 6 | 73 | 18 |
| 585-1223F | Red | 660 | 14 | 26 | 50 |
| 585-1323F | Green | 565 | 14 | 23 | 56 |
| 585-1423F | Yellow | 585 | 14 | 24 | 18 |
| 585-1225F | Red | 660 | 28 | 14 | 56 |
| 585-1325F | Green | 565 | 28 | 13 | 65 |
| 585-1425F | Yellow | 585 | 28 | 13 | 20 |

Single Chip Based LED - T1 3/4 Wedge (T5)



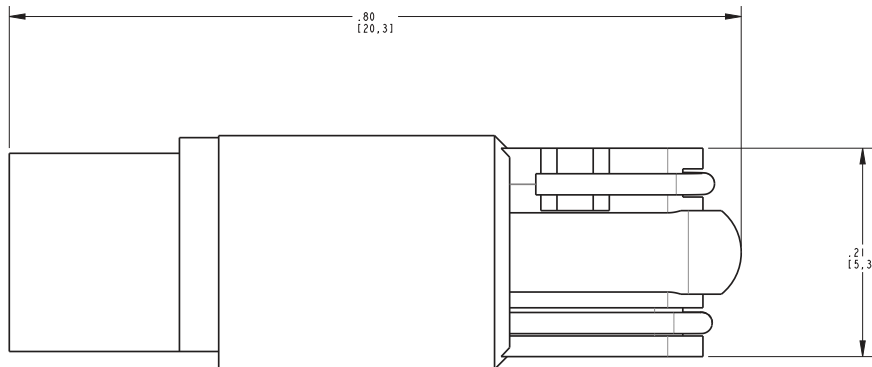
Features/Benefits

- RoHS compliant
- Longer life
- Energy savings - 90% less power required
- High reliability - vibration and shock resistant
- Mounts directly into industry standard socket
- Wide 100 degree viewing angel
- No heat generated

Specifications

| | |
|-------------------------|-----------------------------------|
| Base: | T1 3/4 Midget Flange |
| Voltage Options: | 6, 14, and 28 V DC |
| Operating Temp: | -40°C to +80°C (-40°F to +176°F) |
| Storage Temp: | -40°C to +100°C (-40°F to +212°F) |

Dimensions



Measurements are typical
Dimension are in Inches [mm]

| Part Number | Color | Peak Wavelength (nm) | Voltage (V DC) | Current Typ.(mA) | Intensity Typ. (mcd) |
|---------------|--------|----------------------|----------------|------------------|----------------------|
| 586-1A01-101F | Red | 630 | 6 | 16 | 775 |
| 586-1A02-101F | Green | 526 | 6 | 16 | 600 |
| 586-1A03-101F | Yellow | 592 | 6 | 16 | 775 |
| 586-1A05-101F | Blue | 472 | 6 | 16 | 165 |
| 586-1A06-101F | White | * | 6 | 16 | 460 |
| 586-1A01-103F | Red | 630 | 14 | 16 | 775 |
| 586-1A02-103F | Green | 526 | 14 | 16 | 600 |
| 586-1A03-103F | Yellow | 592 | 14 | 16 | 775 |
| 586-1A05-103F | Blue | 472 | 14 | 16 | 165 |
| 586-1A06-103F | White | * | 14 | 16 | 460 |
| 586-1A01-105F | Red | 630 | 28 | 16 | 775 |
| 586-1A02-105F | Green | 526 | 28 | 16 | 600 |
| 586-1A03-105F | Yellow | 592 | 28 | 16 | 775 |
| 586-1A05-105F | Blue | 472 | 28 | 16 | 165 |
| 586-1A06-105F | White | * | 28 | 16 | 460 |

* Color coordinates: x=0.320, y=0.320



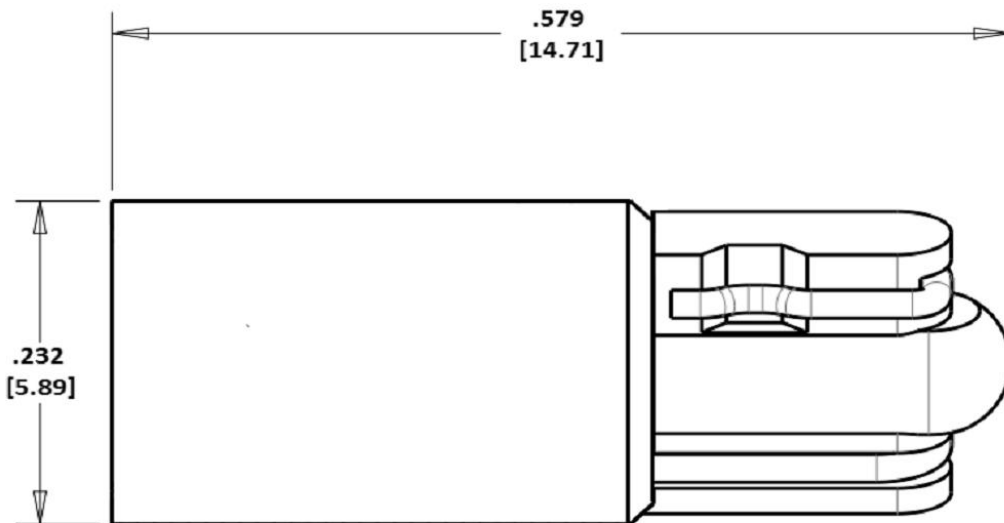
Features/Benefits

- RoHS compliant
- Longer life
- Energy savings - 90% less power required
- High reliability - vibration and shock resistant
- Unique multi-LED design provides superior illumination
- AllInGaP and InGaN die technology
- True Non-Polarized design
- Mounts directly into industry standard socket

Specifications

| | |
|-------------------------|----------------------------------|
| Base: | T1 3/4 Wedge |
| Voltage Options: | 6, 12, 14 and 28 V DC |
| Operating Temp: | -30°C to +85°C (-22°F to +185°F) |
| Storage Temp: | -40°C to +100°C (-40F to +212°F) |

Dimensions



Measurements are typical
Dimension are in Inches [mm]

Ordering Information

| Part Number | Color | Peak Wavelength (nm) | Voltage (V DC) | Current Typ. (mA) | Intensity Typ. (mcd) |
|---------------|--------|----------------------|----------------|-------------------|----------------------|
| 586-1201-201F | Red | 615 | 6 | 35 | 450 |
| 586-1202-201F | Green | 528 | 6 | 12 | 120 |
| 586-1203-201F | Yellow | 587 | 6 | 35 | 450 |
| 586-1205-201F | Blue | 470 | 6 | 12 | 50 |
| 586-1206-201F | White | * | 6 | 15 | 320 |
| 586-1201-202F | Red | 615 | 12 | 18 | 450 |
| 586-1202-202F | Green | 528 | 12 | 8 | 170 |
| 586-1203-202F | Yellow | 587 | 12 | 18 | 450 |
| 586-1205-202F | Blue | 470 | 12 | 8 | 70 |
| 586-1206-202F | White | * | 12 | 11 | 450 |
| 586-1201-203F | Red | 615 | 14 | 20 | 500 |
| 586-1202-203F | Green | 528 | 14 | 8.5 | 185 |
| 586-1203-203F | Yellow | 587 | 14 | 20 | 500 |
| 586-1205-203F | Blue | 470 | 14 | 8.5 | 75 |
| 586-1206-203F | White | * | 14 | 12 | 500 |
| 586-1201-204F | Red | 615 | 24 | 14 | 350 |
| 586-1202-204F | Green | 528 | 24 | 10 | 215 |
| 586-1203-204F | Yellow | 587 | 24 | 14 | 350 |
| 586-1205-204F | Blue | 470 | 24 | 10 | 85 |
| 586-1206-204F | White | * | 24 | 14 | 580 |
| 586-1201-205F | Red | 615 | 28 | 14 | 350 |
| 586-1202-205F | Green | 528 | 28 | 10 | 210 |
| 586-1203-205F | Yellow | 587 | 28 | 14 | 350 |
| 586-1205-205F | Blue | 470 | 28 | 10 | 80 |
| 586-1206-205F | White | * | 28 | 14 | 540 |

* Color coordinates: x=0.330, y=0.330

Multi-Chip Based LED - T1 3/4 Wedge



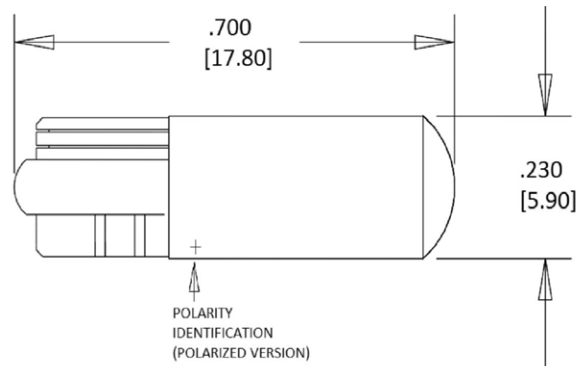
Features/Benefits:

- Longer life
- Energy savings - 90% less power required
- High reliability - vibration and shock resistant
- Mounts directly into industry standard socket
- AllInGaP and InGaN die technology
- True non-polarized configurations available
- No heat generated

Specifications

| | |
|-------------------------|-----------------------------------|
| Base: | T1 3/4 Wedge |
| Voltage Options: | 6, 14, and 28 V DC |
| Operating Temp: | -20°C to +60°C (-4°F to +140°F) |
| Storage Temp: | -30°C to +100°C (-22°F to +212°F) |

Dimensions



Measurements are typical
Dimension are in Inches [mm]

| Part Number | Color | Peak Wavelength (nm) | Voltage (V DC) | Current Typ. (mA) | Intensity Typ. (mcd) |
|--------------------------------|--------|----------------------|----------------|-------------------|----------------------|
| Polarized LED Bulbs | | | | | |
| 585-2211F | Red | 660 | 6 | 50 | 67 |
| 585-2311F | Green | 565 | 6 | 46 | 77 |
| 585-2411F | Yellow | 585 | 6 | 44 | 22 |
| 585-2213F | Red | 660 | 14 | 30 | 60 |
| 585-2313F | Green | 565 | 14 | 28 | 70 |
| 585-2413F | Yellow | 585 | 14 | 30 | 23 |
| 585-2215F | Red | 660 | 28 | 16 | 64 |
| 585-2315F | Green | 565 | 28 | 15 | 75 |
| 585-2415F | Yellow | 585 | 28 | 15 | 23 |
| Non-Polarized LED Bulbs | | | | | |
| 585-2221F | Red | 660 | 6 | 75 | 50 |
| 585-2321F | Green | 565 | 6 | 67 | 56 |
| 585-2421F | Yellow | 585 | 6 | 73 | 18 |
| 585-2223F | Red | 660 | 14 | 26 | 50 |
| 585-2323F | Green | 565 | 14 | 23 | 56 |
| 585-2423F | Yellow | 585 | 14 | 24 | 18 |
| 585-2225F | Red | 660 | 28 | 14 | 56 |
| 585-2325F | Green | 565 | 28 | 13 | 65 |
| 585-2425F | Yellow | 585 | 28 | 13 | 20 |

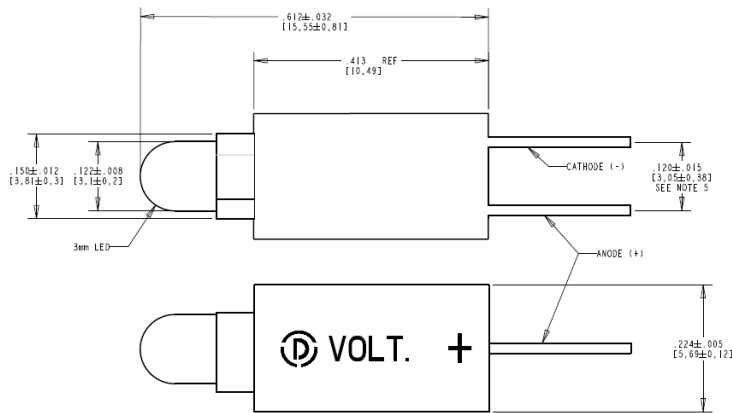


Features/Benefits:

- RoHS compliant
- Longer life
- Energy savings - 90% less power required
- High reliability - vibration and shock resistant
- Mounts directly into industry standard socket
- AllnGaP and InGaN die technology
- Super bright single chip design
- No heat generated

| Specifications | |
|------------------|----------------------------------|
| Voltage Options: | 6, 14, and 28 V DC |
| Operating Temp: | -30°C to +80°C (-22°F to +176°F) |
| Storage Temp: | -40°C to +85°C (-40F to +185°F) |

Dimensions



Measurements are typical
Dimension are in Inches [mm]

| Part Number | Color | Peak Wavelength (nm) | Voltage (V DC) | Current Typ. (mA) | Intensity Typ. (mcd) |
|---------------|--------|----------------------|----------------|-------------------|----------------------|
| 586-1301-101F | Red | 626 | 6 | 10 | 90 |
| 586-1302-101F | Green | 525 | 6 | 10 | 1700 |
| 586-1303-101F | Yellow | 590 | 6 | 10 | 110 |
| 586-1305-101F | Blue | 470 | 6 | 10 | 500 |
| 586-1306-101F | White | * | 6 | 10 | 635 |
| 586-1301-103F | Red | 626 | 14 | 10 | 90 |
| 586-1302-103F | Green | 525 | 14 | 10 | 1700 |
| 586-1303-103F | Yellow | 590 | 14 | 10 | 110 |
| 586-1305-103F | Blue | 470 | 14 | 10 | 500 |
| 586-1306-103F | White | * | 14 | 10 | 635 |
| 586-1301-105F | Red | 626 | 28 | 10 | 90 |
| 586-1302-105F | Green | 525 | 28 | 10 | 1700 |
| 586-1303-105F | Yellow | 590 | 28 | 10 | 110 |
| 586-1305-105F | Blue | 470 | 28 | 10 | 500 |
| 586-1306-105F | White | * | 28 | 10 | 635 |

* Color coordinates: x=0.320, y=0.320



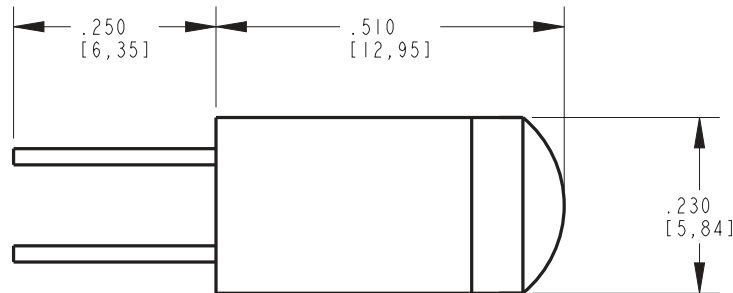
Features/Benefits

- Longer life
- Energy savings - 90% less power required
- Mounts directly into industry standard socket
- True non-polarized configuration available
- Polarized and non-polarized
- No heat generated

Specifications

| | |
|-------------------------|-----------------------------------|
| Voltage Options: | 6, 14, and 28 V DC |
| Operating Temp: | -20°C to +60°C (-4°F to +140°F) |
| Storage Temp: | -30°C to +100°C (-22°F to +212°F) |

Dimensions



Measurements are typical
Dimension are in Inches [mm]

| Part Number | Color | Peak Wavelength (nm) | Voltage (V DC) | Current Typ. (mA) | Intensity Typ. (mcd) |
|--------------------------------|--------|----------------------|----------------|-------------------|----------------------|
| Polarized LED Bulbs | | | | | |
| 585-3211F | Red | 660 | 6 | 50 | 67 |
| 585-3311F | Green | 565 | 6 | 46 | 77 |
| 585-3411F | Yellow | 585 | 6 | 44 | 22 |
| 585-3213F | Red | 660 | 14 | 30 | 60 |
| 585-3313F | Green | 565 | 14 | 28 | 70 |
| 585-3413F | Yellow | 585 | 14 | 30 | 23 |
| 585-3215F | Red | 660 | 28 | 16 | 64 |
| 585-3315F | Green | 565 | 28 | 15 | 75 |
| 585-3415F | Yellow | 585 | 28 | 15 | 23 |
| Non-Polarized LED Bulbs | | | | | |
| 585-3221F | Red | 660 | 6 | 75 | 50 |
| 585-3321F | Green | 565 | 6 | 67 | 56 |
| 585-3421F | Yellow | 585 | 6 | 73 | 18 |
| 585-3223F | Red | 660 | 14 | 26 | 50 |
| 585-3323F | Green | 565 | 14 | 23 | 56 |
| 585-3423F | Yellow | 585 | 14 | 24 | 18 |
| 585-3225F | Red | 660 | 28 | 14 | 56 |
| 585-3325F | Green | 565 | 28 | 13 | 65 |
| 585-3425F | Yellow | 585 | 28 | 13 | 20 |

Single-Chip Based LED - T2 Telephone Slide (type 3)



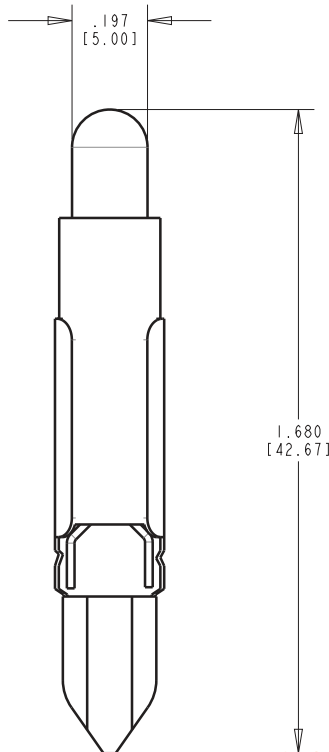
Features/Benefits

- RoHS compliant
- Longer life
- Energy savings - 90% less power required
- High reliability - vibration and shock resistant
- Mounted directly into industry standard socket
- Super bright single-chip design
- No heat generated

Specifications

| | |
|-------------------------|----------------------------------|
| Base: | T2 Telephone Slide |
| Voltage Options: | 24 V DC |
| Operating Temp: | -30°C to +80°C (-22°F to +176°F) |
| Storage Temp: | -40°C to +85°C (-40F to +185°F) |

Dimensions



Measurements are typical
Dimension are in Inches [mm]

| Part Number | Color | Peak Wavelength (nm) | Voltage (V DC) | Current Typ. (mA) | Intensity Typ. (mcd) |
|----------------------------|--------|----------------------|----------------|-------------------|----------------------|
| Polarized LED Bulbs | | | | | |
| 586-3501-204F | Red | 622 | 24 | 25 | 600 |
| 586-3502-204F | Green | 525 | 24 | 25 | 5000 |
| 586-3503-204F | Yellow | 592 | 24 | 25 | 1700 |
| 586-3505-204F | Blue | 470 | 24 | 25 | 1500 |
| 586-3506-204F | White | * | 24 | 25 | 5600 |

* Color coordinates: x=0.290, y=0.305

Single-Chip Based LED - T3-1/4 Miniature Bayonet (BA9s)

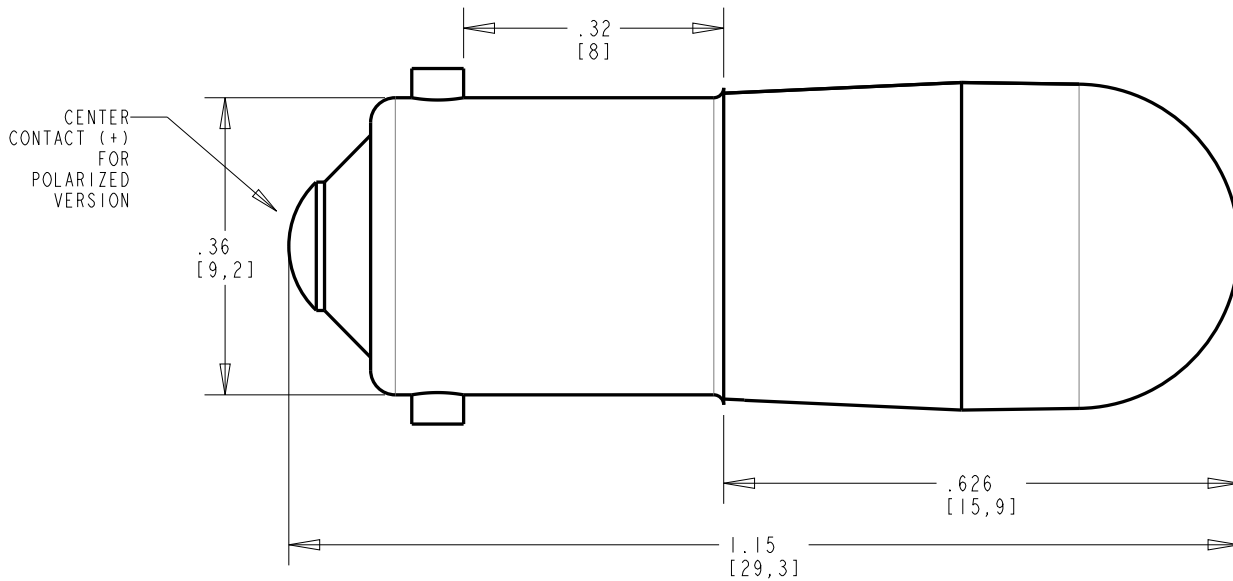


Features/Benefits:

- RoHS compliant
- Longer life
- Energy savings - 90% less power required
- High reliability - vibration and shock resistant
- Mounts directly into industry standard socket
- True non-polarized configurations available
- No heat generated
- Super bright single chip design

| Specifications | |
|------------------|----------------------------------|
| Base: | T3 1/4 Miniature Bayonet (BA9s) |
| Voltage Options: | 6,14, and 28 V DC, 6-36 V DC |
| Operating Temp: | -30°C to +85°C (-22°F to +185°F) |
| Storage Temp: | -40°C to +100°C (-40F to +212°F) |

Dimensions



Measurements are typical
Dimension are in Inches [mm]

Single-Chip Based LED - T3-1/4 Miniature Bayonet (BA9s)

Ordering Information

| Part Number | Color | Peak Wavelength (nm) | Voltage (V DC) | Current Typ. (mA) | Intensity Typ. (mcd) |
|--------------------------------|--------|----------------------|----------------|-------------------|----------------------|
| Polarized LED Bulbs | | | | | |
| 586-2401-101F | Red | 630 | 6 | 15 | 1050 |
| 586-2402-101F | Green | 525 | 6 | 15 | 1650 |
| 586-2403-101F | Yellow | 592 | 6 | 15 | 1275 |
| 586-2405-101F | Blue | 470 | 6 | 15 | 487 |
| 586-2406-101F | White | * | 6 | 15 | 825 |
| 586-2401-103F | Red | 630 | 14 | 15 | 1050 |
| 586-2402-103F | Green | 525 | 14 | 15 | 1650 |
| 586-2403-103F | Yellow | 592 | 14 | 15 | 1275 |
| 586-2405-103F | Blue | 470 | 14 | 15 | 487 |
| 586-2406-103F | White | * | 14 | 15 | 825 |
| 586-2401-105F | Red | 630 | 28 | 15 | 1050 |
| 586-2402-105F | Green | 525 | 28 | 15 | 1650 |
| 586-2403-105F | Yellow | 592 | 28 | 15 | 1275 |
| 586-2405-105F | Blue | 470 | 28 | 15 | 487 |
| 586-2406-105F | White | * | 28 | 15 | 825 |
| 586-2401-220F | Red | 630 | 6-36 | 10 | 1000 |
| 586-2402-220F | Green | 525 | 6-36 | 10 | 1500 |
| 586-2403-220F | Yellow | 592 | 6-36 | 10 | 550 |
| 586-2405-220F | Blue | 470 | 6-36 | 10 | 200 |
| 586-2406-220F | White | * | 6-36 | 10 | 650 |
| Non-Polarized LED Bulbs | | | | | |
| 586-2401-201F | Red | 630 | 6 | 15 | 1050 |
| 586-2402-201F | Green | 525 | 6 | 15 | 1650 |
| 586-2403-201F | Yellow | 592 | 6 | 15 | 1275 |
| 586-2405-201F | Blue | 470 | 6 | 15 | 487 |
| 586-2406-201F | White | * | 6 | 15 | 825 |
| 586-2401-203F | Red | 630 | 14 | 15 | 1050 |
| 586-2402-203F | Green | 525 | 14 | 15 | 1650 |
| 586-2403-203F | Yellow | 592 | 14 | 15 | 1275 |
| 586-2405-203F | Blue | 470 | 14 | 15 | 487 |
| 586-2406-203F | White | * | 14 | 15 | 825 |
| 586-2401-205F | Red | 630 | 28 | 7.5 | 525 |
| 586-2402-205F | Green | 525 | 28 | 7.5 | 825 |
| 586-2403-205F | Yellow | 592 | 28 | 7.5 | 637 |
| 586-2405-205F | Blue | 470 | 28 | 7.5 | 243 |
| 586-2406-205F | White | * | 28 | 7.5 | 412 |

* Color coordinates: x=0.330, y=0.365

Daylight Viewable Cluster Based LED
T3 1/4 Miniature Bayonet Base (BA9s)



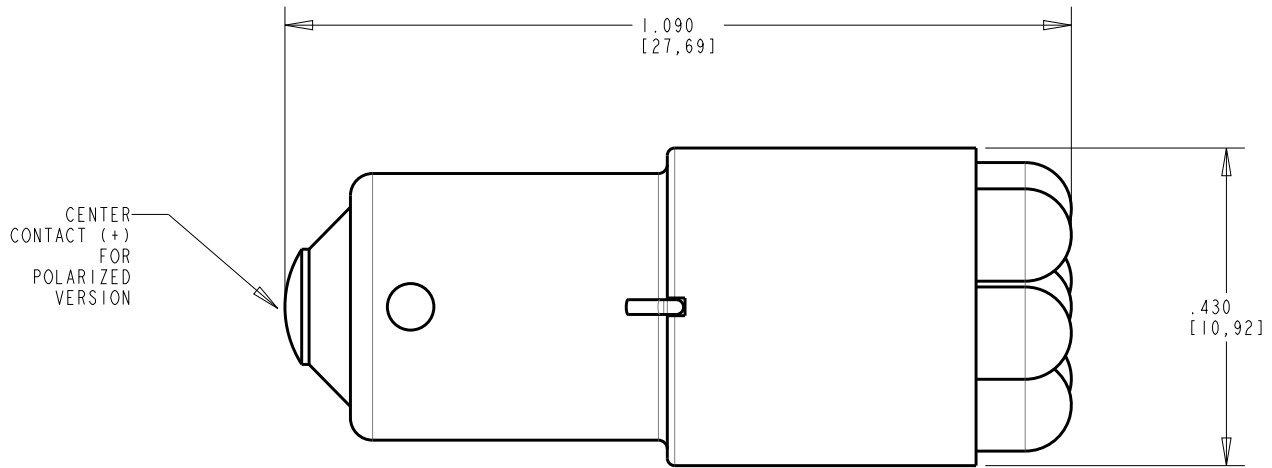
Features/Benefits

- RoHS compliant
- Longer life
- Energy savings - 90% less power required
- High reliability - vibration and shock resistant
- Mounts directly into industry standard sockets
- Polarized and non-polarized
- Super bright LED cluster design

Specifications

| | |
|-------------------------|----------------------------------|
| Base: | T3 1/4 Miniature Bayonet (BA9s) |
| Voltage Options: | 6, 14, and 28 V DC; 120 V AC |
| Operating Temp: | -30C to +85°C (-22°F to +185°F) |
| Storage Temp: | -40°C to +100°C (-40F to +212°F) |

Dimensions



Measurements are typical
Dimension are in Inches [mm]

Daylight Viewable Cluster Based LED T3 1/4 Miniature Bayonet Base (BA9s)

Ordering Information

| Part Number | Color | Peak Wavelength (nm) | Voltage (V DC) | Forward Current Typ. (mA) | Intensity Typ. (mcd) |
|--------------------------------|--------|----------------------|----------------|---------------------------|----------------------|
| Polarized LED Bulbs | | | | | |
| 586-6401-101F | Red | 630 | 6 | 100 | 1000 |
| 586-6402-101F | Green | 525 | 6 | 90 | 3800 |
| 586-6403-101F | Yellow | 592 | 6 | 100 | 2000 |
| 586-6405-101F | Blue | 470 | 6 | 90 | 850 |
| 586-6406-101F | White | * | 6 | 90 | 4800 |
| 586-6401-103F | Red | 630 | 14 | 50 | 1000 |
| 586-6402-103F | Green | 525 | 14 | 40 | 3100 |
| 586-6403-103F | Yellow | 592 | 14 | 50 | 2000 |
| 586-6405-103F | Blue | 470 | 14 | 40 | 685 |
| 586-6406-103F | White | * | 14 | 40 | 4800 |
| 586-6401-105F | Red | 630 | 28 | 17 | 1000 |
| 586-6402-105F | Green | 525 | 28 | 13 | 3600 |
| 586-6403-105F | Yellow | 592 | 28 | 17 | 2000 |
| 586-6405-105F | Blue | 470 | 28 | 13 | 780 |
| 586-6406-105F | White | * | 28 | 13 | 4200 |
| Non-Polarized LED Bulbs | | | | | |
| 586-6401-201F | Red | 630 | 6 | 100 | 1000 |
| 586-6402-201F | Green | 525 | 6 | 70 | 3400 |
| 586-6403-201F | Yellow | 592 | 6 | 100 | 2000 |
| 586-6405-201F | Blue | 470 | 6 | 70 | 685 |
| 586-6406-201F | White | * | 6 | 70 | 4000 |
| 586-6401-203F | Red | 630 | 14 | 50 | 1000 |
| 586-6402-203F | Green | 525 | 14 | 40 | 3400 |
| 586-6403-203F | Yellow | 592 | 14 | 50 | 2000 |
| 586-6405-203F | Blue | 470 | 14 | 40 | 685 |
| 586-6406-203F | White | * | 14 | 40 | 4000 |
| 586-6401-205F | Red | 630 | 28 | 18 | 1000 |
| 586-6402-205F | Green | 525 | 28 | 11 | 3400 |
| 586-6403-205F | Yellow | 592 | 28 | 18 | 2000 |
| 586-6405-205F | Blue | 470 | 28 | 11 | 685 |
| 586-6406-205F | White | * | 28 | 11 | 4000 |
| 586-6401-206F | Red | 630 | 120 V AC | 9 | 500 |
| 586-6402-206F | Green | 526 | 120 V AC | 9 | 2400 |
| 586-6403-206F | Yellow | 592 | 120 V AC | 9 | 1000 |
| 586-6405-206F | Blue | 472 | 120 V AC | 9 | 565 |
| 586-6406-206F | White | * | 120 V AC | 9 | 3000 |

* Color coordinates: x=0.296, y=0.276

Cluster Based LED - T3 1/4 Miniature Bayonet (BA9s)

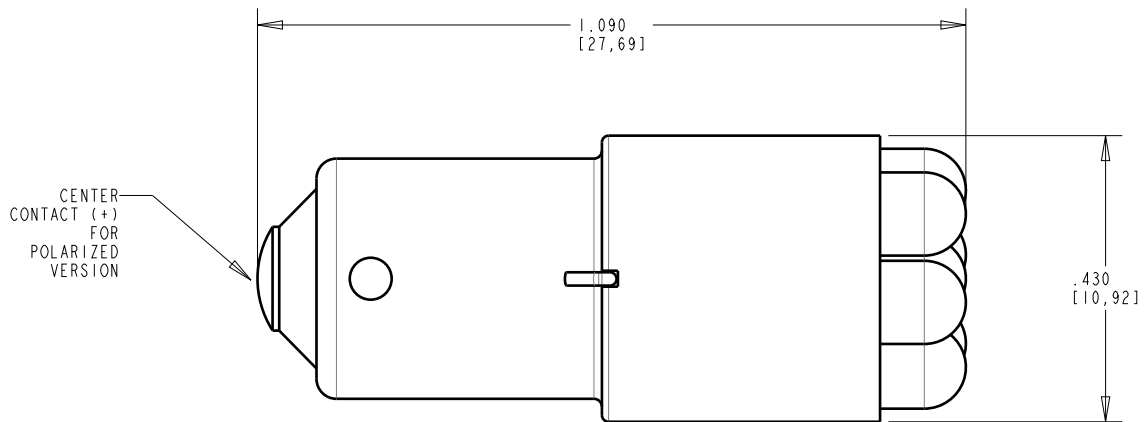


Features/Benefits

- Longer life
- Energy savings - 90% less power required
- High reliability - vibration and shock resistant
- Mount directly into industry standard socket
- Super bright LED cluster design
- Polarized and non-polarized
- No heat generated

| Specifications | |
|------------------|-----------------------------------|
| Base: | T3 1/4 Miniature Bayonet (BA9s) |
| Voltage Options: | 6, 14 and 28 V DC; 120 V AC |
| Operating Temp: | -30°C to +85°C (-22°F to +185°F) |
| Storage Temp: | -40°C to +100°C (-40°F to +212°F) |

Dimensions



Measurements are typical
Dimension are in Inches [mm]

Cluster Based LED - T3 1/4 Miniature Bayonet (BA9s)

Ordering Information

| Part Number | Color | Peak Wavelength (nm) | Voltage (V DC) | Current Typ. (mA) | Intensity Typ. (mcd) |
|--------------------------------|--------|----------------------|----------------|-------------------|----------------------|
| Polarized LED Bulbs | | | | | |
| 585-5211F | Red | 660 | 6 | 60 | 480 |
| 585-5311F | Green | 565 | 6 | 60 | 420 |
| 585-5511F | Yellow | 592 | 6 | 90 | 1800 |
| 585-5213F | Red | 660 | 14 | 40 | 480 |
| 585-5313F | Green | 565 | 14 | 40 | 420 |
| 585-5513F | Yellow | 592 | 14 | 60 | 1800 |
| 585-5215F | Red | 660 | 28 | 20 | 560 |
| 585-5315F | Green | 565 | 28 | 20 | 490 |
| 585-5515F | Yellow | 592 | 28 | 30 | 2100 |
| Non-Polarized LED Bulbs | | | | | |
| 585-5223F | Red | 660 | 14 | 40 | 480 |
| 585-5323F | Green | 565 | 14 | 40 | 420 |
| 585-5523F | Yellow | 592 | 14 | 60 | 1800 |
| 585-5225F | Red | 660 | 28 | 20 | 560 |
| 585-5325F | Green | 565 | 28 | 20 | 490 |
| 585-5525F | Yellow | 592 | 28 | 30 | 2100 |
| 585-5256F | Red | 660 | 120 V AC | 9 | 252 |
| 585-5356F | Green | 565 | 120 V AC | 9 | 220 |
| 585-5556F | Yellow | 585 | 120 V AC | 9 | 945 |

Single Chip Based LED - T3 1/4 Miniature Screw (E10)



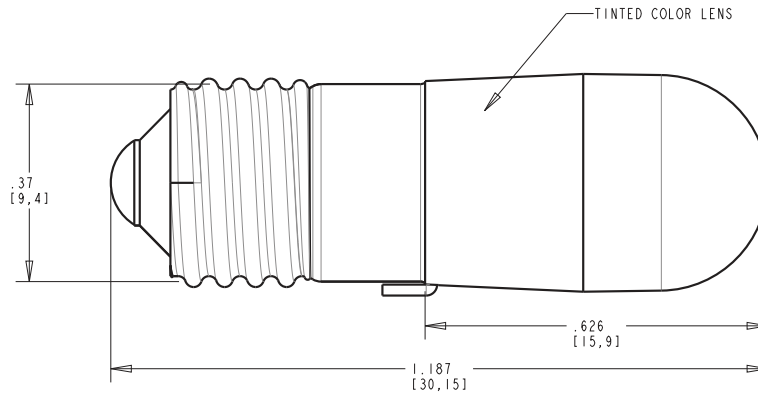
Features / Benefits:

- RoHS compliant
- Longer life
- Energy savings - 90% less power required
- High reliability - vibration and shock resistant
- Mounting directly into industry standard socket
- True non-polarized configuration
- Super bright single chip design

Specifications

| | |
|-------------------------|-----------------------------------|
| Base: | T3 1/4 Miniature Screw (E10) |
| Voltage Options: | 6, 14 and 28 V DC, 6-36 V DC |
| Operating Temp: | -30°C to +85°C (-22°F to +185°F) |
| Storage Temp: | -40°C to +100°C (-40°F to +212°F) |

Dimensions



Measurements are typical
Dimension are in Inches [mm]

Single Chip Based LED - T3 1/4 Miniature Screw (E10)

Ordering Information

| Part Number | Color | Peak Wavelength (nm) | Voltage (V DC) | Current Typ. (mA) | Intensity Typ. (mcd) |
|---------------|--------|----------------------|----------------|-------------------|----------------------|
| 586-2701-201F | Red | 630 | 6 | 15 | 1050 |
| 586-2702-201F | Green | 525 | 6 | 15 | 1650 |
| 586-2703-201F | Yellow | 592 | 6 | 15 | 1275 |
| 586-2705-201F | Blue | 470 | 6 | 15 | 487 |
| 586-2706-201F | White | * | 6 | 15 | 825 |
| 586-2701-203F | Red | 630 | 14 | 15 | 1050 |
| 586-2702-203F | Green | 525 | 14 | 15 | 1650 |
| 586-2703-203F | Yellow | 592 | 14 | 15 | 1275 |
| 586-2705-203F | Blue | 470 | 14 | 15 | 487 |
| 586-2706-203F | White | * | 14 | 15 | 825 |
| 586-2701-205F | Red | 630 | 28 | 7.5 | 525 |
| 586-2702-205F | Green | 525 | 28 | 7.5 | 825 |
| 586-2703-205F | Yellow | 592 | 28 | 7.5 | 637 |
| 586-2705-205F | Blue | 470 | 28 | 7.5 | 243 |
| 586-2706-205F | White | * | 28 | 7.5 | 412 |
| 586-2701-220F | Red | 630 | 6-36 | 10 | 1000 |
| 586-2702-220F | Green | 525 | 6-36 | 10 | 1500 |
| 586-2703-220F | Yellow | 592 | 6-36 | 10 | 550 |
| 586-2705-220F | Blue | 470 | 6-36 | 10 | 200 |
| 586-2706-220F | White | * | 6-36 | 10 | 650 |

* Color coordinates: x=0.330, y=0.365



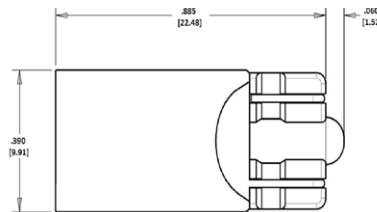
Features/Benefits

- RoHS compliant
- Longer life
- Energy savings - 90% less power required
- High reliability - vibration and shock resistant
- Mounts directly into industry standard socket
- Unique multi-LED design provides superior illumination and ability
- No head generated

Specifications

| | |
|-------------------------|-----------------------------------|
| Base: | T3 1/4 Wedge (T10) |
| Voltage Options: | 6, 12, 14 and 24 V DC |
| Operating Temp: | -30°C to +85°C (-22°F to +185°F) |
| Storage Temp: | -40°C to +100°C (-40°F to +212°F) |

Dimensions



Measurements are typical
Dimension are in Inches [mm]

| Part Number | Color | Peak Wavelength (nm) | Voltage (V DC) | Current Typ. (mA) | Intensity Typ. (mcd) |
|---------------|--------------|----------------------|----------------|-------------------|----------------------|
| 586-2201-201F | Red | 615 | 6 | 69 | 770 |
| 586-2202-201F | Green | 528 | 6 | 30 | 300 |
| 586-2203-201F | Yellow | 591 | 6 | 69 | 550 |
| 586-2205-201F | Blue | 470 | 6 | 30 | 90 |
| 586-2206-201F | White | * | 6 | 30 | 630 |
| 586-2201-202F | Red | 615 | 12 | 37 | 820 |
| 586-2202-202F | Green | 528 | 12 | 19 | 380 |
| 586-2203-202F | Yellow | 591 | 12 | 37 | 590 |
| 586-2205-202F | Blue | 470 | 12 | 19 | 115 |
| 586-2206-202F | White | * | 12 | 19 | 800 |
| 586-220A-202F | White/Yellow | * / 591 | 12 | 25 | 725 |
| 586-220B-202F | White/Orange | * / 610 | 12 | 25 | 775 |
| 586-2201-203F | Red | 615 | 14 | 41 | 910 |
| 586-2202-203F | Green | 528 | 14 | 24 | 480 |
| 586-2203-203F | Yellow | 591 | 14 | 41 | 650 |
| 586-2205-203F | Blue | 470 | 14 | 24 | 145 |
| 586-2206-203F | White | * | 14 | 24 | 1000 |
| 586-220A-203F | White/Yellow | * / 591 | 14 | 25 | 725 |
| 586-220B-203F | White/Orange | * / 610 | 14 | 25 | 775 |
| 586-2201-204F | Red | 615 | 24 | 19 | 850 |
| 586-2202-204F | Green | 528 | 24 | 12 | 480 |
| 586-2203-204F | Yellow | 591 | 24 | 19 | 610 |
| 586-2205-204F | Blue | 470 | 24 | 12 | 145 |
| 586-2206-204F | White | * | 24 | 12 | 1000 |
| 586-220A-204F | White/Yellow | * / 591 | 24 | 14 | 810 |
| 586-220B-204F | White/Orange | * / 610 | 24 | 14 | 870 |

* Color coordinates: x=0.320, y=0.310

Cluster Based LED - 15mm Bayonet (BA15s)



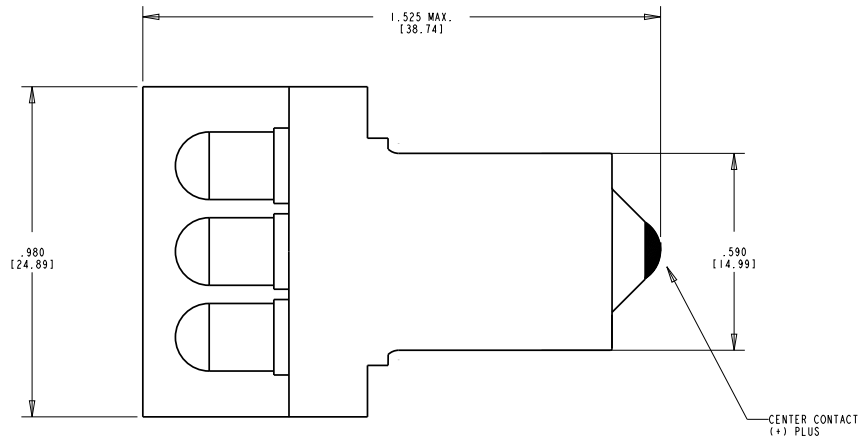
Features/Benefits:

- RoHS compliant
- Longer life
- Energy savings - 90% less power required
- High reliability - vibration and shock resistant
- Mounts directly into industry standard socket
- No heat generated

Specifications

| | |
|-------------------------|-----------------------------------|
| Base: | 15mm Bayonet (BA15s) |
| Voltage Options: | 14 and 28 V DC |
| Operating Temp: | -30°C to +85°C (-22°F to +185°F) |
| Storage Temp: | -40°C to +100°C (-40°F to +212°F) |

Dimensions



Measurements are typical
Dimension are in Inches [mm]

| Part Number | Color | Peak Wavelength (nm) | Voltage (V DC) | Current Typ. (mA) | Intensity Typ. (mcd) |
|----------------------------|--------|----------------------|----------------|-------------------|----------------------|
| Polarized LED Bulbs | | | | | |
| 586-4601-103F | Red | 639 | 14 | 30 | 17325 |
| 586-4602-103F | Green | 525 | 14 | 20 | 21000 |
| 586-4603-103F | Yellow | 594 | 14 | 30 | 17325 |
| 586-4605-103F | Blue | 470 | 14 | 20 | 6300 |
| 586-4606-103F | White | * | 14 | 20 | 23800 |
| 586-4601-105F | Red | 639 | 28 | 30 | 17325 |
| 586-4602-105F | Green | 525 | 28 | 20 | 21000 |
| 586-4603-105F | Yellow | 594 | 28 | 30 | 17325 |
| 586-4605-105F | Blue | 470 | 28 | 20 | 6300 |
| 586-4606-105F | White | * | 28 | 20 | 23800 |

* Color coordinates: x=0.310, y=0.320

| Incandescent Lamp # | Size | Base Style | Operating Voltage (V DC) | Configuration | Dialight Based LED Part Number | | | | |
|---------------------|-----------|--------------------------------|--------------------------|-----------------|--------------------------------|--------------|--------------|--------------|--------------|
| | | | | | Red | Green | Yellow | Blue | White |
| 16 | T1 3/4 | Wedge Base | 6 | Polarized | 586-1A01-101 | 586-1A02-101 | 586-1A03-101 | 586-1A05-101 | 586-1A06-101 |
| | | | | Non-Polarized | 586-1201-201 | 586-1202-201 | 586-1203-201 | 586-1205-201 | 586-1206-201 |
| 17 | T1 3/4 | Wedge Base | 28 | Polarized | 586-1A01-105 | 586-1A02-105 | 586-1A03-105 | 586-1A05-105 | 586-1A06-105 |
| | | | | Non-Polarized | 586-1201-205 | 586-1202-205 | 586-1203-205 | 586-1205-205 | 586-1206-205 |
| 18 | T1 3/4 | Wedge Base | 14 | Polarized | 586-1A01-103 | 586-1A02-103 | 586-1A03-103 | 586-1A05-103 | 586-1A06-103 |
| | | | | Non-Polarized | 586-1201-203 | 586-1202-203 | 586-1203-203 | 586-1205-203 | 586-1206-203 |
| 24 | T2 | Telephone Slide (Type 3) | 24 | Non-Polarized | 586-3501-204 | 586-3502-204 | 586-3503-204 | 586-3505-204 | 586-3506-204 |
| 37 | T1 3/4 | Wedge Base | 14 | Polarized | 586-1A01-103 | 586-1A02-103 | 586-1A03-103 | 586-1A05-103 | 586-1A06-103 |
| | | | | Non-Polarized | 586-1201-203 | 586-1202-203 | 586-1203-203 | 586-1205-203 | 586-1206-203 |
| 40, 46 | T3 1/4 | Miniature Screw | 6 | Non-Polarized | 586-2701-201 | 586-2702-201 | 586-2703-201 | 586-2705-201 | 586-2706-201 |
| 44, 47 | T3 1/4 | Miniature Bayonet (BA9s) | 6 | Non-Polarized | 586-6401-201 | 586-6402-201 | 586-6403-201 | 586-6405-201 | 586-6406-201 |
| | | | | High Brightness | 586-2401-201 | 586-2402-201 | 586-2403-201 | 586-2405-201 | 586-2406-201 |
| 52 | T3 1/4 | Miniature Screw | 14 | Non-Polarized | 586-2701-203 | 586-2702-203 | 586-2703-203 | 586-2705-203 | 586-2706-203 |
| 56 | T1 3/4 | Wedge Base | 6 | Polarized | 586-1A01-101 | 586-1A02-101 | 586-1A03-101 | 586-1A05-101 | 586-1A06-101 |
| | | | | Non-Polarized | 586-1201-201 | 586-1202-201 | 586-1203-201 | 586-1205-201 | 586-1206-201 |
| 67 | G-6 | Single Contact Bayonet (BA15s) | 14 | Polarized | 586-4601-103 | 586-4602-103 | 586-4603-103 | 586-4605-103 | 586-4606-103 |
| 70, 73, 74 | T1 3/4 | Wedge Base | 14 | Polarized | 586-1A01-103 | 586-1A02-103 | 586-1A03-103 | 586-1A05-103 | 586-1A06-103 |
| | | | | Non-Polarized | 586-1201-203 | 586-1202-203 | 586-1203-203 | 586-1205-203 | 586-1206-203 |
| 79, 84 | T1 3/4 | Wedge Base | 6 | Polarized | 586-1A01-101 | 586-1A02-101 | 586-1A03-101 | 586-1A05-101 | 586-1A06-101 |
| | | | | Non-Polarized | 586-1201-201 | 586-1202-201 | 586-1203-201 | 586-1205-201 | 586-1206-201 |
| 85 | T1 3/4 | Wedge Base | 28 | Polarized | 586-1A01-105 | 586-1A02-105 | 586-1A03-105 | 586-1A05-105 | 586-1A06-105 |
| | | | | Non-Polarized | 586-1201-205 | 586-1202-205 | 586-1203-205 | 586-1205-205 | 586-1206-205 |
| 86 | T1 3/4 | Wedge Base | 6 | Polarized | 586-1A01-101 | 586-1A02-101 | 586-1A03-101 | 586-1A05-101 | 586-1A06-101 |
| | | | | Non-Polarized | 586-1201-201 | 586-1202-201 | 586-1203-201 | 586-1205-201 | 586-1206-201 |
| 93, 97, 98, 105 | G-6 / S-8 | Single Contact Bayonet (BA15s) | 14 | Polarized | 586-4601-103 | 586-4602-103 | 586-4603-103 | 586-4605-103 | 586-4606-103 |
| 124 | T3 1/4 | Wedge Base | 14 | Non-Polarized | 586-2201-203 | 586-2202-203 | 586-2203-203 | 586-2205-203 | 586-2206-203 |
| 152 | T3 1/4 | Wedge Base | 28 | Non-Polarized | 586-2201-205 | 586-2202-205 | 586-2203-205 | 586-2205-205 | 586-2206-205 |
| 158, 161, 168 | T3 1/4 | Wedge Base | 14 | Non-Polarized | 586-2201-203 | 586-2202-203 | 586-2203-203 | 586-2205-203 | 586-2206-203 |
| 159 | T3 1/4 | Wedge Base | 6 | Non-Polarized | 586-2201-201 | 586-2202-201 | 586-2203-201 | 586-2205-201 | 586-2206-201 |
| 181 | T3 1/4 | Miniature Bayonet (BA9s) | 14 | Non-Polarized | 586-6401-203 | 586-6402-203 | 586-6403-203 | 586-6405-203 | 586-6406-203 |
| | | | | High Brightness | 586-2401-203 | 586-2402-203 | 586-2403-203 | 586-2405-203 | 586-2406-203 |
| 184, 193, 194 | T3 1/4 | Wedge Base | 14 | Non-Polarized | 586-2201-203 | 586-2202-203 | 586-2203-203 | 586-2205-203 | 586-2206-203 |
| 199 | S-8 | Single Contact Bayonet (BA15s) | 14 | Polarized | 586-4601-103 | 586-4602-103 | 586-4603-103 | 586-4605-103 | 586-4606-103 |

| Incandescent Lamp # | Size | Base Style | Operating Voltage (V DC) | Configuration | Dialight Based LED Part Number | | | | |
|--|----------|--------------------------------|--------------------------|-------------------------------|--------------------------------|--------------|--------------|--------------|--------------|
| | | | | | Red | Green | Yellow | Blue | White |
| 216 | T3 1/4 | Miniature Bayonet (BA9s) | 14 | Non-Polarized High Brightness | 586-6401-203 | 586-6402-203 | 586-6403-203 | 586-6405-203 | 586-6406-203 |
| | | | | Non-Polarized | 586-2401-203 | 586-2402-203 | 586-2403-203 | 586-2405-203 | 586-2406-203 |
| 259 | T3 1/4 | Wedge Base | 6 | Non-Polarized | 586-2201-201 | 586-2202-201 | 586-2203-201 | 586-2205-201 | 586-2206-201 |
| 303, 305, 307, 315 | S-8 | Single Contact Bayonet (BA15s) | 28 | Polarized | 586-4601-105 | 586-4602-105 | 586-4603-105 | 586-4605-105 | 586-4606-105 |
| 313 | T3 1/4 | Miniature Bayonet (BA9s) | 28 | Non-Polarized High Brightness | 586-6401-205 | 586-6402-205 | 586-6403-205 | 586-6405-205 | 586-6406-205 |
| | | | | Non-Polarized | 586-2401-205 | 586-2402-205 | 586-2403-205 | 586-2405-205 | 586-2406-205 |
| 327 | T1 3/4 | Midget Flange | 28 | Polarized | 586-1101-105 | 586-1102-105 | 586-1103-105 | 586-1105-105 | 586-1106-105 |
| 328 | T1 3/4 | Midget Flange | 6 | Polarized | 586-1101-101 | 586-1102-101 | 586-1103-101 | 586-1105-101 | 586-1106-101 |
| 330 | T1 3/4 | Midget Flange | 14 | Polarized | 586-1101-103 | 586-1102-103 | 586-1103-103 | 586-1105-103 | 586-1106-103 |
| 345, 349, 350 | T1 3/4 | Midget Flange | 6 | Polarized | 586-1101-101 | 586-1102-101 | 586-1103-101 | 586-1105-101 | 586-1106-101 |
| 376 | T1 3/4 | Midget Flange | 28 | Polarized | 586-1101-105 | 586-1102-105 | 586-1103-105 | 586-1105-105 | 586-1106-105 |
| 377, 380, 381 | T1 3/4 | Midget Flange | 6 | Polarized | 586-1101-101 | 586-1102-101 | 586-1103-101 | 586-1105-101 | 586-1106-101 |
| 382 | T1 3/4 | Midget Flange | 14 | Polarized | 586-1101-103 | 586-1102-103 | 586-1103-103 | 586-1105-103 | 586-1106-103 |
| 385, 387 | T1 3/4 | Midget Flange | 28 | Polarized | 586-1101-105 | 586-1102-105 | 586-1103-105 | 586-1105-105 | 586-1106-105 |
| 394 | T1 3/4 | Midget Flange | 14 | Polarized | 586-1101-103 | 586-1102-103 | 586-1103-103 | 586-1105-103 | 586-1106-103 |
| 400, 464, 585, 655, 656, 657 | T3 1/4 | Wedge Base | 28 | Non-Polarized | 586-2201-205 | 586-2202-205 | 586-2203-205 | 586-2205-205 | 586-2206-205 |
| 658 | T3 1/4 | Wedge Base | 14 | Non-Polarized | 586-2201-203 | 586-2202-203 | 586-2203-203 | 586-2205-203 | 586-2206-203 |
| 444, 447 | T3 1/4 | Wedge Base | 6 | Non-Polarized | 586-2201-201 | 586-2202-201 | 586-2203-201 | 586-2205-201 | 586-2206-201 |
| 502 | T3 1/4 | Miniature Screw | 6 | Non-Polarized | 586-2701-201 | 586-2702-201 | 586-2703-201 | 586-2705-201 | 586-2706-201 |
| 555 | T3 1/4 | Wedge Base | 6 | Non-Polarized | 586-2201-201 | 586-2202-201 | 586-2203-201 | 586-2205-201 | 586-2206-201 |
| 623 | G-6 | Single Contact Bayonet (BA15s) | 28 | Polarized | 586-4601-105 | 586-4602-105 | 586-4603-105 | 586-4605-105 | 586-4606-105 |
| 631 | G-6 | Single Contact Bayonet (BA15s) | 14 | Polarized | 586-4601-103 | 586-4602-103 | 586-4603-103 | 586-4605-103 | 586-4606-103 |
| 755 | T3 1/4 | Miniature Bayonet (BA9s) | 6 | Non-Polarized High Brightness | 586-6401-201 | 586-6402-201 | 586-6403-201 | 586-6405-201 | 586-6406-201 |
| | | | | Non-Polarized | 586-2401-201 | 586-2402-201 | 586-2403-201 | 586-2405-201 | 586-2406-201 |
| 756 | T3 1/4 | Miniature Bayonet (BA9s) | 14 | Non-Polarized High Brightness | 586-6401-203 | 586-6402-203 | 586-6403-203 | 586-6405-203 | 586-6406-203 |
| | | | | Non-Polarized | 586-2401-203 | 586-2402-203 | 586-2403-203 | 586-2405-203 | 586-2406-203 |
| 757 | T3 1/4 | Miniature Bayonet (BA9s) | 28 | Non-Polarized High Brightness | 586-6401-205 | 586-6402-205 | 586-6403-205 | 586-6405-205 | 586-6406-205 |
| | | | | Non-Polarized | 586-2401-205 | 586-2402-205 | 586-2403-205 | 586-2405-205 | 586-2406-205 |
| 1003, 1093, 1095, 1141, 1155, 1156, 1159 | B-6/ S-8 | Single Contact Bayonet (BA15s) | 14 | Polarized | 586-4601-103 | 586-4602-103 | 586-4603-103 | 586-4605-103 | 586-4606-103 |

| Incandescent Lamp # | Size | Base Style | Operating Voltage | Configuration | Dialight Based LED Part Number | | | | |
|------------------------------------|--------|--------------------------------|-------------------|-------------------------------|--------------------------------|--------------|--------------|--------------|--------------|
| | | | | | Red | Green | Yellow | Blue | White |
| 1203, 1251 | S-8 | Single Contact Bayonet (BA15s) | 28 | Polarized | 586-4601-105 | 586-4602-105 | 586-4603-105 | 586-4605-105 | 586-4606-105 |
| 1295 | S-8 | Single Contact Bayonet (BA15s) | 14 | Polarized | 586-4601-103 | 586-4602-103 | 586-4603-103 | 586-4605-103 | 586-4606-103 |
| 1308 | B-6 | Single Contact Bayonet (BA15s) | 28 | Polarized | 586-4601-105 | 586-4602-105 | 586-4603-105 | 586-4605-105 | 586-4606-105 |
| 1446, 1481, 1487 | T3 1/4 | Miniature Screw | 14 | Non-Polarized | 586-2701-203 | 586-2702-203 | 586-2703-203 | 586-2705-203 | 586-2706-203 |
| 1488 | T3 1/4 | Miniature Bayonet (BA9s) | 14 | Non-Polarized High Brightness | 586-6401-203 | 586-6402-203 | 586-6403-203 | 586-6405-203 | 586-6406-203 |
| | | | | Non-Polarized | 586-2401-203 | 586-2402-203 | 586-2403-203 | 586-2405-203 | 586-2406-203 |
| 1591, 1665, 1683, 1691 | S-8 | Single Contact Bayonet (BA15s) | 28 | Polarized | 586-4601-105 | 586-4602-105 | 586-4603-105 | 586-4605-105 | 586-4606-105 |
| 1813, 1815 | T3 1/4 | Miniature Bayonet (BA9s) | 14 | Non-Polarized High Brightness | 586-6401-203 | 586-6402-203 | 586-6403-203 | 586-6405-203 | 586-6406-203 |
| | | | | Non-Polarized | 586-2401-203 | 586-2402-203 | 586-2403-203 | 586-2405-203 | 586-2406-203 |
| 1819, 1820 | T3 1/4 | Miniature Bayonet (BA9s) | 28 | Non-Polarized High Brightness | 586-6401-205 | 586-6402-205 | 586-6403-205 | 586-6405-205 | 586-6406-205 |
| | | | | Non-Polarized | 586-2401-205 | 586-2402-205 | 586-2403-205 | 586-2405-205 | 586-2406-205 |
| 1821 | T3 1/4 | Miniature Screw | 28 | Non-Polarized | 586-2701-205 | 586-2702-205 | 586-2703-205 | 586-2705-205 | 586-2706-205 |
| 1829, 1843 | T3 1/4 | Miniature Bayonet (BA9s) | 28 | Non-Polarized High Brightness | 586-6401-205 | 586-6402-205 | 586-6403-205 | 586-6405-205 | 586-6406-205 |
| | | | | Non-Polarized | 586-2401-205 | 586-2402-205 | 586-2403-205 | 586-2405-205 | 586-2406-205 |
| 1847, 1850, 1866 | T3 1/4 | Miniature Bayonet (BA9s) | 6 | Non-Polarized High Brightness | 586-6401-201 | 586-6402-201 | 586-6403-201 | 586-6405-201 | 586-6406-201 |
| | | | | Non-Polarized | 586-2401-201 | 586-2402-201 | 586-2403-201 | 586-2405-201 | 586-2406-201 |
| 1864, 1873 | T3 1/4 | Miniature Bayonet (BA9s) | 28 | Non-Polarized High Brightness | 586-6401-205 | 586-6402-205 | 586-6403-205 | 586-6405-205 | 586-6406-205 |
| | | | | Non-Polarized | 586-2401-205 | 586-2402-205 | 586-2403-205 | 586-2405-205 | 586-2406-205 |
| 1889, 1891, 1892, 1893, 1894, 1898 | T3 1/4 | Miniature Bayonet (BA9s) | 14 | Non-Polarized High Brightness | 586-6401-203 | 586-6402-203 | 586-6403-203 | 586-6405-203 | 586-6406-203 |
| | | | | Non-Polarized | 586-2401-203 | 586-2402-203 | 586-2403-203 | 586-2405-203 | 586-2406-203 |
| 2232, 2233 | S-8 | Single Contact Bayonet (BA15s) | 28 | Polarized | 586-4601-105 | 586-4602-105 | 586-4603-105 | 586-4605-105 | 586-4606-105 |
| 2306 | T1 3/4 | Bi-Pin | 6 | Polarized | 586-1301-101 | 586-1302-101 | 586-1303-101 | 586-1305-101 | 586-1306-101 |
| 2312, 2314 | T1 3/4 | Bi-Pin | 28 | Polarized | 586-1301-105 | 586-1302-105 | 586-1303-105 | 586-1305-105 | 586-1306-105 |
| 2323 | T1 3/4 | Bi-Pin | 6 | Polarized | 586-1301-101 | 586-1302-101 | 586-1303-101 | 586-1305-101 | 586-1306-101 |
| 2324, 2325 | T1 3/4 | Bi-Pin | 28 | Polarized | 586-1301-105 | 586-1302-105 | 586-1303-105 | 586-1305-105 | 586-1306-105 |





250 & 508 Holders use 507 Cartridges and 515 Connectors

- Mounting Hole Size:** 3/8" (9.53mm)
 - Light Source:** Neon Cartridge
Incandescent Cartridge
LED Cartridge
 - Available Colors:** Red, Yellow, White, Clear, Green
 - Voltage:** 105-125V AC/DC (Neon)
10, 14, 28, 48, 120V DC (Incandescent & LED)
 - Termination:** Bi-Pins, Solder, turret
 - Mounting Style:** Front or Rear
- *For more information please go to www.dialight.com



004 Holder uses 004 Caps and 113 Caps

- Mounting Hole Size:** 15/32" (11.91mm)
- Light Source:** T1 3/4 Midget Flange
- Available Colors:** Red, Clear
- Voltage:** 1.35-28V
- Termination:** Solder or Screw
- Mounting Style:** Front

*For more information please go to www.dialight.com
*See incandescent lamp cross reference guide for based LED bulbs available



101 Holder uses 101 Caps, 111 Caps, 140 Caps

- Mounting Hole Size:** 15/32" (11.91mm)
- Light Source:** T1 3/4 Midget Flange
- Available Colors:** Red, Yellow, White, Clear, Green
- Voltage:** 1.35-28V
- Termination:** Solder
- Mounting Style:** Front or Rear

*For more information please go to www.dialight.com
*See incandescent lamp cross reference guide for based LED bulbs available



812 Holder uses 812 Caps

- Mounting Hole Size:** 15/32" (11.91mm)
- Light Source:** T1 3/4 Midget Flange
- Available Colors:** Red, Yellow, White, Clear, Green
- Voltage:** 1.35-28V
- Termination:** Solder
- Mounting Style:** Rear

*For more information please go to www.dialight.com
*See incandescent lamp cross reference guide for based LED bulbs available



137 Holder uses 137 caps

| | |
|----------------------------|---------------------------|
| Mounting Hole Size: | 15/32" (11.91mm) |
| Light Source: | T2 Neon Midget Flange |
| Available Colors: | Red, Yellow, White, Clear |
| Voltage: | 105-125V AC/DC |
| Termination: | Solder |
| Mounting Style: | Front |

*For more information please go to www.dialight.com



162 Holder uses 162 caps

| | |
|----------------------------|----------------------------------|
| Mounting Hole Size: | 15/32" (11.91mm) |
| Light Source: | T1 3/4 Midget Flange |
| Available Colors: | Red, Green, Yellow, White, Clear |
| Voltage: | 1.35-28V |
| Termination: | Solder |
| Mounting Style: | Front |

*For more information please go to www.dialight.com

*See incandescent lamp cross reference guide for based LED bulbs available



177 Holder uses 177 caps

| | |
|----------------------------|----------------------------------|
| Mounting Hole Size: | 15/32" (11.91mm) |
| Light Source: | T1 3/4 Midget Flange |
| Available Colors: | Red, Green, Yellow, White, Clear |
| Voltage: | 1.35-28V |
| Termination: | Solder |
| Mounting Style: | Front |

*For more information please go to www.dialight.com

*See incandescent lamp cross reference guide for based LED bulbs available



270 Holder uses 270 caps, 271 Holder uses 271 caps

| | |
|----------------------------|-----------------------------------|
| Mounting Hole Size: | 15/32" (11.91mm) |
| Light Source: | T1 3/4 Midget Flange Incandescent |
| Available Colors: | Red, Green, Yellow, Clear |
| Voltage: | 1.35-28V |
| Termination: | Solder or Screw |
| Mounting Style: | Front |

*For more information please go to www.dialight.com

*See incandescent lamp cross reference guide for based LED bulbs available



021 Series

| | |
|----------------------------|---------------------------------|
| Mounting Hole Size: | 11/16" (17.46mm) |
| Light Source: | T3 1/4 Miniature Bayonet (BA9s) |
| Available Colors: | Clear |
| Voltage: | 2-120V |
| Termination: | Solder or Screw |
| Mounting Style: | Front |

*For more information please go to www.dialight.com

*See incandescent lamp cross reference guide for based LED bulbs available



081 Holder uses 081 Caps, 052 Caps, 095 Caps, 135 Caps

Mounting Hole Size: 11/16" (17.46mm)
Light Source: T3 1/4 Miniature Neon Bayonet
Available Colors: Red, Yellow, White, Clear
Voltage: 105-125V AC/DC
Termination: Solder or Screw
Mounting Style: Front

*For more information please go to www.dialight.com

*See incandescent lamp cross reference guide for based LED bulbs available



125 Holder uses 125 Caps

Mounting Hole Size: 11/16" (17.46mm)
Light Source: T3 1/4 Miniature Bayonet (BA9s)
Available Colors: Red, Yellow, Green, White, Clear
Voltage: 2-120V
Termination: Solder or Screw
Mounting Style: Front

*For more information please go to www.dialight.com

*See incandescent lamp cross reference guide for based LED bulbs available



125 Holder uses 125 Caps

Mounting Hole Size: 11/16" (17.46mm)
Light Source: T3 1/4 Miniature Neon Bayonet
Available Colors: Red, Yellow, White, Clear
Voltage: 105-125 AC/DC
Termination: Solder or Screw, Quick-Connect
Mounting Style: Front

*For more information please go to www.dialight.com

*See incandescent lamp cross reference guide for based LED bulbs available



123 Holder uses 123 Caps

Mounting Hole Size: 11/16" (17.46mm)
Light Source: T3 1/4 Miniature Bayonet (BA9s)
Available Colors: Red, Yellow, Green, White, Clear
Voltage: 2-120V
Termination: Solder or Screw
Mounting Style: Front

*For more information please go to www.dialight.com

*See incandescent lamp cross reference guide for based LED bulbs available



095 Holder uses 095 caps, 135 caps

Mounting Hole Size: 11/16" (17.46mm)
Light Source: T3 1/4 Miniature Bayonet (BA9s)
Available Colors: Red, Yellow, Green, White, Clear
Voltage: 2-120V
Termination: Solder or Screw, Quick-Connect
Mounting Style: Front

*For more information please go to www.dialight.com

*See incandescent lamp cross reference guide for based LED bulbs available



031 Holder uses 031 Caps

Mounting Hole Size: 1" (25.40mm)
Light Source: S-6 Candelabra Screw Incandescent
Available Colors: Red, Yellow, Green, White, Clear
Voltage: 6-250V AC/DC
Termination: Screw
Mounting Style: Front

*For more information please go to www.dialight.com



051 Holder uses 051 Caps

Mounting Hole Size: 1" (25.40mm)
Light Source: T3 1/4 Miniature Bayonet (BA9s)
Available Colors: Red, Yellow, Green, White, Clear
Voltage: 2-120V
Termination: Solder or Screw
Mounting Style: Front

*For more information please go to www.dialight.com

*See incandescent lamp cross reference guide for based LED bulbs available



080 Holder uses 080 Caps, 051 Caps

Mounting Hole Size: 1" (25.40mm)
Light Source: S-6 Candelabra Screw Incandescent
Available Colors: Red, Yellow, Green, White, Clear
Voltage: 6-250V AC/DC
Termination: Solder or Screw
Mounting Style: Front

*For more information please go to www.dialight.com



103 Holder uses 103 Caps

Mounting Hole Size: 1" (25.40mm)
Light Source: S-6 Candelabra Screw Incandescent
Available Colors: Red, Yellow, Green, White, Clear
Voltage: 6-250V AC/DC
Termination: Solder or Screw
Mounting Style: Front

*For more information please go to www.dialight.com

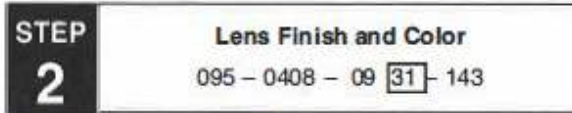
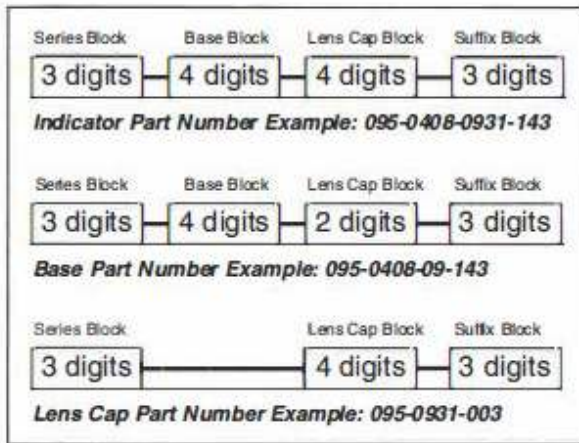


103 Holder uses 103 Caps

Mounting Hole Size: 1" (25.40mm)
Light Source: S-6 Double Contact Bayonet
Available Colors: Red, Yellow, Green, White, Clear
Voltage: 24-250V AC/DC
Termination: Solder or Screw
Mounting Style: Front

*For more information please go to www.dialight.com

Dialight Neon and Incandescent Panel Mount Indicators are available as complete assemblies from our distributor partners or from us as separate lens cap and base. Our Part Numbering System shown below describes how valid Dialight part numbers are configured. The Dialight Part Numbering System should not be used for creating part numbers since not all combinations are able to be manufactured. Please consult Dialight or our stocking distributors for those items not found in this catalog.

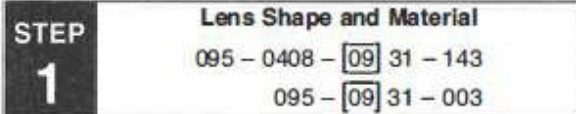


The third and fourth digits of the Lens Cap Block designate the lens finish and color respectively. In this example, 31 = a transparent red lens.

| | |
|------------------------------|-----------------------|
| Lens Finish | Lens Color |
| 1 - Back Frosted* | 1 - Red |
| 3 - Unfrosted or Transparent | 2 - Green |
| 5 - Light Translucent | 3 - Yellow (Amber) |
| 7 - Dark Translucent** | 4 - Blue |
| 9 - Internal Fluting | 5 - White |
| | 6 - Light Yellow |
| | 7 - Clear (Colorless) |

* Not available with Lens Color Option 5 (White)

** Not available with Lens Color Option 7 (Clear/Colorless)



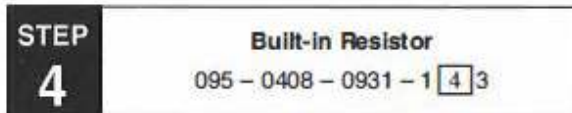
The first two digits in the Lens Cap Block of the indicator, base or cap part numbers designate the lens shape and material. In this example, 09 = plastic stovepipe.

| Lens Code | Description |
|-----------|---|
| 00 | Rectangular, plastic |
| 01 | Convex, polycarbonate |
| 02 | Flat, polycarbonate |
| 03 | Flat, plastic |
| 04 | Convex, faceted, polycarbonate |
| 05 | Torpedo, polycarbonate |
| 06 | Convex, plastic |
| 08 | Dome, plastic |
| 09 | Stovepipe, plastic |
| 11 | Stovepipe, polycarbonate with bezel |
| 12 | Dome, polycarbonate |
| 13 | Torpedo faceted, polycarbonate |
| 14 | Short cylindrical, plastic |
| 15 | Long cylindrical, plastic |
| 16 | Long cylindrical, fresnel, plastic |
| 18 | Square, plastic |
| 21 | Faceted, plastic |
| 29 | Light shield |
| 31 | Stovepipe, polycarbonate |
| 32 | Short cylindrical, polycarbonate |
| 33 | Short cylindrical, fresnel, plastic |
| 34 | Rectangular, plastic |
| 35 | Short cylindrical, fresnel, polycarbonate |
| 37 | Short stovepipe, fresnel, plastic |
| 50 | Black opaque side wall |



The first digit of the Suffix Block designates metal finish. In this example, 1 = white nickel plated metal finish.

| | |
|---------------------|--------------------|
| Metal Finish | |
| 0 - None | 4 - Satin Chrome |
| 1 - White Nickel | 5 - Black Anodized |
| 2 - Black Nickel | 6 - Clear Anodized |
| 3 - Polished Chrome | 7 - Chromate |



The second digit of the Suffix Block designates built-in resistor. In this neon indicator example, 4 = 56K internal resistor.

| | |
|----------|----------|
| 0 - None | 4 - 56K |
| 1 - 2K | 6 - 68K |
| 2 - 27K | 7 - 100K |
| 3 - 33K | |



The third digit of the Suffix Block designates type of hardware. In this example, 3 = watertight.

| | |
|----------------|---------------------------|
| 0 - None | 4 - Aluminum |
| 1 - Brass | 5 - Three rings |
| 2 - Steel | 6 - Ring, lockwasher, nut |
| 3 - Watertight | 7 - Insulated mounting |

Military Panel Mount Indicators

LHC = lampholder with cap

LH = lampholder only

LC = lens cap only

All indicators must meet or exceed Military specifications.

All lamps are daylight viewable.



359 Series LH73/1, LC11

| | |
|----------------------------|--------------------|
| Mounting Hole Size: | 15/32" (11.91mm) |
| Light Source: | T1 3/4 Midget |
| Available Colors: | Red, Green, Yellow |
| Voltage: | 2.7-28V |
| Termination: | Solder Tabs |
| Mounting Style: | Nut and Washer |
| Relampable: | Yes |

*For more information please go to www.dialight.com

*See incandescent lamp cross reference guide for based LED bulbs available



360 Series LH73/1, LC11, LC12, LC29

| | |
|----------------------------|--------------------|
| Mounting Hole Size: | 15/32" (11.91mm) |
| Light Source: | T1 3/4 Midget |
| Available Colors: | Red, Green, Yellow |
| Voltage: | 2.7-28V |
| Termination: | Solder Tabs |
| Mounting Style: | Nut and Washer |
| Relampable: | Yes |

*For more information please go to www.dialight.com

*See incandescent lamp cross reference guide for based LED bulbs available



361 Series LH74/1, LC13

| | |
|----------------------------|--------------------|
| Mounting Hole Size: | 15/32" (11.91mm) |
| Light Source: | T2 (C7A) Neon |
| Available Colors: | Red, Yellow, Clear |
| Voltage: | 120 VAC/DC |
| Termination: | Solder Tabs |
| Mounting Style: | Nut and Washer |
| Relampable: | Yes |

*For more information please go to www.dialight.com



363 Series LH73/2, LC25

| | |
|----------------------------|--------------------|
| Mounting Hole Size: | 15/32" (11.91mm) |
| Light Source: | T1 3/4 Midget |
| Available Colors: | Red, Yellow, Clear |
| Voltage: | 2.7-28V |
| Termination: | Solder Tabs |
| Mounting Style: | Nut and Washer |
| Relampable: | Yes |

*For more information please go to www.dialight.com

*See incandescent lamp cross reference guide for based LED bulbs available

LHC = lampholder with cap

LH = lampholder only

LC = lens cap only

All indicators must meet or exceed Military specifications.

All lamps are daylight viewable.



367 Series LH89/1, LC35

| | |
|----------------------------|--------------------|
| Mounting Hole Size: | 15/32" (11.91mm) |
| Light Source: | T1 3/4 Midget |
| Available Colors: | Red, Green, Yellow |
| Voltage: | 2.7-28V |
| Termination: | Solder Tabs |
| Mounting Style: | Nut and Washer |
| Relampable: | Yes |
| Features: | Oiltight |

*For more information please go to www.dialight.com

*See incandescent lamp cross reference guide for based LED bulbs available



368 and 369 Series LH89/1, LC36, LC37

| | |
|----------------------------|--------------------|
| Mounting Hole Size: | 15/32" (11.91mm) |
| Light Source: | T1 3/4 Midget |
| Available Colors: | Red, Green, Yellow |
| Voltage: | 2.7-28V |
| Termination: | Solder Tabs |
| Mounting Style: | Nut and Washer |
| Relampable: | Yes |
| Features: | Oiltight |

*For more information please go to www.dialight.com

*See incandescent lamp cross reference guide for based LED bulbs available



800 Series MS25041

| | |
|----------------------------|--------------------|
| Mounting Hole Size: | 15/32" (11.91mm) |
| Light Source: | T1 3/4 Midget |
| Available Colors: | Red, Green, Yellow |
| Voltage: | 2.7-28V |
| Termination: | Solder Tabs |
| Mounting Style: | Nut and Washer |
| Relampable: | Yes |
| Features: | Press to Test |

*For more information please go to www.dialight.com

*See page 74-76 for Based LED Bulbs Available



801 Series MS25041

| | |
|----------------------------|--------------------|
| Mounting Hole Size: | 15/32" (11.91mm) |
| Light Source: | T1 3/4 Midget |
| Available Colors: | Red, Green, Yellow |
| Voltage: | 2.7-28V |
| Termination: | Solder Tabs |
| Mounting Style: | Nut and Washer |
| Relampable: | Yes |
| Features: | Press to Test |

*For more information please go to www.dialight.com

*See incandescent lamp cross reference guide for based LED bulbs available

LHC = lampholder with cap

LH = lampholder only

LC = lens cap only

All indicators must meet or exceed Military specifications.

All lamps are daylight viewable.



803 Series MS25331

| | |
|----------------------------|---------------------------------|
| Mounting Hole Size: | 5/8" (15.88mm) |
| Light Source: | T3 1/4 Mini Bayonet (BA9s) |
| Available Colors: | Red, Green, Yellow, Clear, Blue |
| Voltage: | 2.7-28V |
| Termination: | Solder Tabs |
| Mounting Style: | Nut and Washer |
| Relampable: | Yes |
| Features: | Press to Test |

*For more information please go to www.dialight.com

*See incandescent lamp cross reference guide for based LED bulbs available



804 Series MS25331

| | |
|----------------------------|---------------------------------|
| Mounting Hole Size: | 5/8" (15.88mm) |
| Light Source: | T3 1/4 Mini Bayonet |
| Available Colors: | Red, Green, Yellow, Clear, Blue |
| Voltage: | 2.7-28V |
| Termination: | Solder Tabs |
| Mounting Style: | Nut and Washer |
| Relampable: | Yes |
| Features: | Press to Test |

*For more information please go to www.dialight.com

*See incandescent lamp cross reference guide for based LED bulbs available



373 Series LH76/1, LH 6/2, LH76/3, LC14

| | |
|----------------------------|---|
| Mounting Hole Size: | 11/16" (17.46mm) |
| Light Source: | T3 1/4 Neon, T3 1/4 Mini Bayonet (BA9s) |
| Available Colors: | Red, Green, Yellow, White, Clear, Blue |
| Voltage: | 2-120V |
| Termination: | Solder Tabs |
| Mounting Style: | Nut and Washer |
| Relampable: | Yes |
| Features: | Watertight Lens available for Semi and blackout |

*For more information please go to www.dialight.com



375 Series LH76/1, LH7 6/2, LH7 6/3, LC17

| | |
|----------------------------|---|
| Mounting Hole Size: | 11/16" (17.46mm) |
| Light Source: | T3 1/4 Neon, T3 1/4 Mini Bayonet (BA9s) |
| Available Colors: | Red, Green, Yellow, White, Clear, Blue |
| Voltage: | 2-120V |
| Termination: | Solder Tabs |
| Mounting Style: | Nut and Washer |
| Relampable: | Yes |
| Features: | Watertight Lens available for Semi and blackout |

*For more information please go to www.dialight.com

LHC = lampholder with cap

LH = lampholder only

LC = lens cap only

All indicators must meet or exceed Military specifications.

All lamps are daylight viewable.



376 Series LH76/1, LH76/2, LH76/3, LC14, LC17, LC18

| | |
|----------------------------|---|
| Mounting Hole Size: | 11/16" (17.46mm) |
| Light Source: | T3 1/4 Neon, T3 1/4 Mini Bayonet (BA9s) |
| Available Colors: | Red, Green, Yellow, White, Clear, Blue |
| Voltage: | 2-120V |
| Termination: | Solder Tabs |
| Mounting Style: | Nut and Washer |
| Relampable: | Yes |
| Features: | Watertight Lens available for Semi and blackout |

*For more information please go to www.dialight.com



378 Series LH79/1, LC21

| | |
|----------------------------|--|
| Mounting Hole Size: | 1" (25.40mm) |
| Light Source: | S-6 Double Contact Bayonet |
| Available Colors: | Red, Green, Yellow, White, Clear, Blue |
| Voltage: | S6-32V |
| Termination: | Solder Tabs |
| Mounting Style: | Nut and Washer |
| Relampable: | Yes |
| Features: | Lens available for Semi and blackout |

*For more information please go to www.dialight.com



379 Series LH79/1, LC24

| | |
|----------------------------|--|
| Mounting Hole Size: | 1" (25.40mm) |
| Light Source: | S-6 Double Contact Bayonet |
| Available Colors: | Red, Green, Yellow, White, Clear, Blue |
| Voltage: | 24-250V |
| Termination: | Solder Tabs |
| Mounting Style: | Nut and Washer |
| Relampable: | Yes |
| Features: | Lens available for Semi and blackout |

*For more information please go to www.dialight.com



380 and 381 Series LH80/1, LC24

| | |
|----------------------------|--|
| Mounting Hole Size: | 1" (25.40mm) |
| Light Source: | S-6 Double Contact Bayonet |
| Available Colors: | Red, Green, Yellow, White, Clear, Blue |
| Voltage: | 24-250V |
| Termination: | Solder Tabs |
| Mounting Style: | Nut and Washer |
| Relampable: | Yes |
| Features: | Lens available for Semi and blackout |

*For more information please go to www.dialight.com

Military Specification

MIL-DTL-3661C-Lampholders, Indicator Lights, Indicator-Light Housings, Indicator-Light Lenses

| Military Designation | Dialight Part No. | Military Designation | Dialight Part No. | Military Designation | Dialight Part No. |
|----------------------|-------------------|----------------------|-------------------|----------------------|-------------------|
| LC11BN2 | 178-0334-500 | LC17GN3 | 203-0132-203 | LC23BN3 | 209-0134-203 |
| LC11BT2 | 178-0374-500 | LC17RD3 | 203-0111-203 | LC23CD3 | 209-0117-203 |
| LC11CN2 | *178-0337-500 | LC17RN3 | *203-0131-203 | LC23CN3 | *209-0137-203 |
| LC11GN2 | 178-0332-500 | LC17WT3 | *203-0135-203 | LC23GD3 | 209-0112-203 |
| LC11GT2 | 178-0372-500 | LC17YD3 | 203-0113-203 | LC23GN3 | 209-0132-203 |
| LC11RN2 | *178-0331-500 | LC17YN3 | *203-0133-203 | LC23RD3 | 209-0111-203 |
| LC11RT2 | 178-0371-500 | LC18BD3 | 204-0114-203 | LC23RN3 | *209-0131-203 |
| LC11WT2 | 178-0375-500 | LC18BN3 | 204-0134-203 | LC23WT3 | *209-0135-203 |
| LC11YN2 | *178-0333-500 | LC18CD3 | 204-0117-203 | LC23YD3 | 209-0113-203 |
| LC11YT2 | 178-0373-500 | LC18CN3 | *204-0137-203 | LC23YN3 | *209-0133-203 |
| LC12BN2 | 162-0934 | LC18GD3 | 204-0112-203 | LC24BD3 | 210-0114-203 |
| LC12BT2 | 162-0974 | LC18GN3 | 204-0132-203 | LC24BN3 | 210-0134-203 |
| LC12CN2 | *162-0937 | LC18RD3 | 204-0111-203 | LC24CD3 | 210-0117-203 |
| LC12GN2 | 162-0932 | LC18RN3 | *204-0131-203 | LC24CN3 | *210-0137-203 |
| LC12GT2 | 162-0972 | LC18YD3 | 204-0113-203 | LC24GD3 | 210-0112-203 |
| LC12RN2 | *162-0931 | LC18YN3 | *204-0133-203 | LC24GN3 | 210-0132-203 |
| LC12RT2 | 162-0971 | LC19BD3 | 169-1114-203 | LC24RD3 | 210-0111-203 |
| LC12WT2 | 162-0975 | LC19BN3 | 169-1134-203 | LC24RN3 | *210-0131-203 |
| LC12YN2 | *162-0933 | LC19CD3 | 169-1117-203 | LC24WT3 | *210-0135-203 |
| LC12YT2 | 162-0973 | LC19CN3 | *169-1137-203 | LC24YD3 | 210-0113-203 |
| LC13CN2 | *137-0937 | LC19GD3 | 169-1112-203 | LC24YN3 | *210-0133-203 |
| LC13RN2 | *137-0931 | LC19GN3 | 169-1132-203 | LC25BN2 | 239-0334-500 |
| LC13WT2 | *137-0935 | LC19RD3 | 169-1111-203 | LC25BT2 | 239-0374-500 |
| LC13YN2 | *137-0933 | LC19RN3 | *169-1131-203 | LC25CN2 | *239-0337-500 |
| LC14BD3 | 081-0114-203 | LC19WT3 | *169-1135-203 | LC25GN2 | 239-0332-500 |
| LC14BN3 | 081-0134-203 | LC19YD3 | 169-1113-203 | LC25GT2 | 239-0372-500 |
| LC14CD3 | 081-0117-203 | LC19YN3 | *169-1133-203 | LC25RN2 | *239-0331-500 |
| LC14CN3 | *081-0137-203 | LC20BN3 | 169-1194-203 | LC25RT2 | 239-0371-500 |
| LC14GD3 | 081-0112-203 | LC20CN3 | *169-1197-203 | LC25WT2 | 239-0375-500 |
| LC14GN3 | 081-0132-203 | LC20GN3 | 169-1192-203 | LC25YN2 | *239-0333-500 |
| LC14RD3 | 081-0111-203 | LC20RN3 | *169-1191-203 | LC25YT2 | 239-0373-500 |
| LC14RN3 | *081-0131-203 | LC20WT3 | *169-1195-203 | LC29BN2 | 162-1434 |
| LC14WT3 | *081-0135-203 | LC20YN3 | *169-1193-203 | LC29BT2 | 162-1474 |
| LC14YD3 | 081-0113-203 | LC21BD3 | 051-0114-203 | LC29CN2 | *162-1437 |
| LC14YN3 | *081-0133-203 | LC21BN3 | 051-0134-203 | LC29GN2 | 162-1432 |
| LC15BD3 | 026-1114-203 | LC21CD3 | 051-0117-203 | LC29GT2 | 162-1472 |
| LC15BN3 | 026-1134-203 | LC21CN3 | *051-0137-203 | LC29RN2 | *162-1431 |
| LC15CN3 | *026-1137-203 | LC21GD3 | 051-0112-203 | LC29RT2 | 162-1471 |
| LC15GD3 | 026-1112-203 | LC21GN3 | 051-0132-203 | LC29WT2 | 162-1475 |
| LC15GN3 | 026-1132-203 | LC21RD3 | 051-0111-203 | LC29YN2 | *162-1433 |
| LC15RD3 | 026-1111-203 | LC21RN3 | *051-0131-203 | LC29YT2 | 162-1473 |
| LC15RN3 | *026-1131-203 | LC21WT3 | *051-0135-203 | LC30BN3 | 250-3534-500 |
| LC15WT3 | *026-1135-203 | LC21YD3 | 051-0113-203 | LC30GN3 | 250-3532-500 |
| LC15YD3 | 026-1113-203 | LC21YN3 | *051-0133-203 | LC30RN3 | 250-3531-500 |
| LC15YN3 | *026-1133-203 | LC22BD3 | 080-0514-203 | LC30WT3 | 250-3535-500 |
| LC16BN3 | 026-1194-203 | LC22BN3 | 080-0534-203 | LC30YN3 | 250-3533-500 |
| LC16CN3 | *026-1197-203 | LC22CD3 | 080-0517-203 | LC32BT2 | 250-1474-500 |
| LC16GN3 | 026-1192-203 | LC22CN3 | *080-0537-203 | LC32GT2 | 250-1472-500 |
| LC16RN3 | *026-1191-203 | LC22GD3 | 080-0512-203 | LC32RT2 | 250-1471-500 |
| LC16WT3 | *026-1195-203 | LC22GN3 | 080-0532-203 | LC32WT2 | 250-1475-500 |
| LC16YN3 | *026-1193-203 | LC22RD3 | 080-0511-203 | LC32YT2 | 250-1473-500 |
| LC17BD3 | 203-0114-203 | LC22RN3 | *080-0531-203 | LC33CN2 | *130-0937-003 |
| LC17BN3 | 203-0134-203 | LC22WT3 | *080-0535-203 | LC33RN2 | *130-0931-003 |
| LC17CD3 | 203-0117-203 | LC22YD3 | 080-0513-203 | LC33WT2 | *130-0935-003 |
| LC17CN3 | *203-0137-203 | LC22YN3 | *080-0533-203 | LC33YN2 | *130-0933-003 |
| LC17GD3 | 203-0112-203 | LC23BD3 | 209-0114-203 | LC34CN2/DO2 | *271-0171 |

* Can be used with Based LED Replacement Lamps

Military Specification

MIL-DTL-3661C-Lampholders, Indicator Lights, Indicator-Light Housings, Indicator-Light Lenses

| Military Designation | Dialight Part No. | Military Designation | Dialight Part No. | Military Designation | Dialight Part No. |
|----------------------|-------------------|----------------------|-------------------|----------------------|--------------------|
| LC34CN2/SO2 | *271-0272 | LH90/1 | 370-8738-504 | MS18236-1YN | 507-5338-0933-630 |
| LC34EN2/DO2 | *271-0111 | LH90/2 | 371-8738-14-504 | MS18236-2CN | 507-5337-0937-670 |
| LC34EN2 /EN2 | *271-3111 | LH90/3 | 371-8760-14-504 | MS18236-2RN | 507-5337-0931-670 |
| LC34EN2/SO2 | *271-0212 | LH92/1 | 271-8430-702 | MS18236-2WT | 507-5337-0935-670 |
| LC35BN2 | 128-0934-003 | LHC82/1BT2 | 252-9951-0974 | MS18236-2YN | 507-5337-1531-670 |
| LC35BT2 | 128-0974-003 | LHC82/1CN2 | 252-9951-0937 | MS18237-1CN | 507-5338-1537-630 |
| LC36GD2 | 160-0112-203 | LHC82/1GT2 | 252-9951-0972 | MS18237-1RN | 507-5338-1531-630 |
| LC36RD2 | 160-0111-203 | LHC82/1RT2 | 252-9951-0971 | MS18237-1WT | 507-5338-1535-630 |
| LC36YD2 | 160-0113-203 | LHC82/1WT2 | 252-9951-0975 | MS18237-1YN | 507-5338-1533-630 |
| LC37BD2 | 161-0114-203 | LHC82/1YT2 | 252-9951-0973 | MS18237-2CN | 507-5337-1537-670 |
| LC37CD2 | 161-0117-203 | MS18235-1BT | 507-3909-1474-600 | MS18237-2RN | 507-5337-1531-670 |
| LC37GD2 | 161-0112-203 | MS18235-1CN | 507-3909-1437-600 | MS18237-2WT | 507-5337-1535-670 |
| LC37RD2 | 161-0111-203 | MS18235-1GT | 507-3909-1472-600 | MS18237-2YN | 507-5337-1533-670 |
| LC37YD2 | 161-0113-203 | MS18235-1RT | 507-3909-1471-600 | MS18238-1 | 507-6022-1437-600 |
| LH73/1 | 359-8430-09-502 | MS18235-1WT | 507-3909-1475-600 | MS18238-2 | 507-6023-1437-600 |
| LH73/2 | 362-8430-09-702 | MS18235-1YT | 507-3909-1473-600 | MS25256-2 | *162-8430-0933-502 |
| LH74/1 | 361-8836-09-552 | MS18235-2BT | 507-3914-1474-600 | MS25256-4 | 162-8430-0932-502 |
| LH74/2 | 361-8864-09-522 | MS18235-2CN | 507-3914-1437-600 | MS25256-6 | *162-8430-0931-502 |
| LH74/3 | 364-8836-09-752 | MS18235-2GT | 507-3914-1472-600 | MS25256-8 | *162-8430-0937-502 |
| LH74/4 | 364-8864-09-722 | MS18235-2RT | 507-3914-1471-600 | MS25256-10 | 162-8430-0975-502 |
| LH76/1 | 373-0408-01-273 | MS18235-2WT | 507-3914-1475-600 | MS25256-12 | 162-8430-0934-502 |
| LH76/2 | 373-0463-01-223 | MS18235-2YT | 507-3914-1473-600 | MS25257-2 | 137-8836-0933-552 |
| LH76/3 | 373-0410-01-203 | MS18235-3BT | 507-3918-1474-600 | MS25257-4 | 137-8836-0931-552 |
| LH77/1 | 377-0408-11-273 | MS18235-3CN | 507-3918-1437-600 | MS25257-6 | 137-8836-0937-552 |
| LH77/2 | 377-0463-11-223 | MS18235-3GT | 507-3918-1472-600 | MS25446-2** | 252-9951-0974 |
| LH77/3 | 377-0410-11-203 | MS18235-3RT | 507-3918-1471-600 | MS25446-3** | 252-9951-0972 |
| LH79/1 | 378-3404-01-203 | MS18235-3WT | 507-3918-1475-600 | MS25446-4** | 252-9951-0971 |
| LH80/1 | 378-3402-01-203 | MS18235-3YT | 507-3918-1473-600 | MS25446-5** | 252-9951-0975 |
| LH88/1 | 366-8836-09-553 | MS18236-1CN | 507-5338-0937-630 | MS25446-6** | 252-9951-0973 |
| LH88/2 | 366-8864-09-523 | MS18236-1RN | 507-5338-0931-630 | MS25446-7** | 252-9951-0937 |
| LH89/1 | 367-8430-09-503 | MS18236-1WT | 507-5338-0935-630 | | |

** See LHC82/1

Military Specification

MIL-L-7806-Light, Panel Plastic Plate Lighting

| | | | | | |
|-------------|--------------------|-------------|--------------------|-------------|--------------------|
| MS25010A11A | *270-1930-0111-702 | MS25010B11A | *270-1830-0111-702 | MS25010C11B | *271-8430-0111-702 |
| MS25010A12A | *270-1930-0171-702 | MS25010B12A | *270-1830-0171-702 | MS25010C12B | *271-8430-0171-702 |
| MS25010A13A | *270-1930-3111-702 | MS25010B13A | *270-1830-3111-702 | MS25010C13B | *271-8430-3111-702 |
| MS25010A14A | CONSULT FACTORY | MS25010B14A | CONSULT FACTORY | MS25010C14B | *271-8430-3171-702 |
| MS25010A15A | *270-1930-0212-702 | MS25010B15A | *270-1830-0212-702 | MS25010C15B | *271-8430-0212-702 |
| MS25010A16A | *270-1930-0272-702 | MS25010B16A | *270-1830-0272-702 | MS25010C16B | *271-8430-0272-702 |

Military Specification

MIL-L-7961C-Light, Indicator, Press-to-Test

| | | | | | |
|-----------|--------------------|------------|--------------------|-----------|-------------------|
| MS25041-1 | *801-1030-0337-504 | MS25041-7 | 800-1030-0332-504 | MS25331-3 | 804-1710-0332-504 |
| MS25041-2 | *801-1030-0331-504 | MS25041-8 | *800-1030-0333-504 | MS25331-4 | 804-1710-0333-504 |
| MS25041-3 | 801-1030-0332-504 | MS25041-10 | 801-1030-0334-504 | MS25331-5 | 803-1710-0337-504 |
| MS25041-4 | *801-1030-0333-504 | MS25041-11 | 800-1030-0334-504 | MS25331-6 | 803-1710-0331-504 |
| MS25041-5 | *800-1030-0337-504 | MS25331-1 | 804-1710-0337-504 | MS25331-7 | 803-1710-0332-504 |
| MS25041-6 | *800-1030-0331-504 | MS25331-2 | 804-1710-0331-504 | MS25331-8 | 803-1710-0333-504 |

* Can be used with Based LED Replacement Lamps

North American HQ

1501 Route 34 South
Farmingdale, NJ 07727
Tel: 732-919-3119
Fax: 732-751-5778
info@dialight.com