

6

5

4

3

2

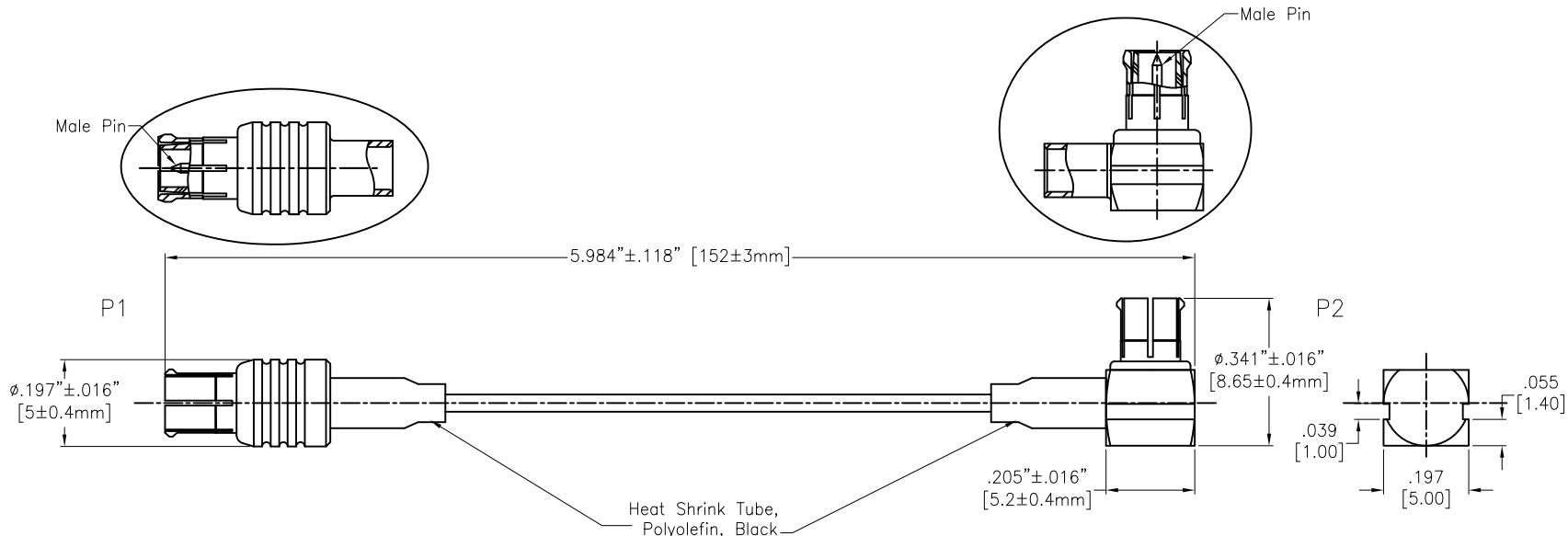
1

APPROVED: \_\_\_\_\_

DATE: \_\_\_\_\_ TITLE: \_\_\_\_\_

Rev	AWO #	Description	Date	Appr
-		RELEASED	11/16/18	
A		UPDATE DRAWING	3/7/19	AY/KC

CUSTOM CABLE ASSEMBLIES ARE NON-CANCELLABLE / NON-RETURNABLE



**SPECIFICATIONS:**

**Connector:**

P1= MCX Plug, Male Pin, Straight, Gold plated  
P2= MCX Plug, Male Pin, Right Angle, Gold plated

**Cable:**

RG178 Cable

**Electrical:**

Impedance: 50 ohms  
Frequency range: DC-6 GHz

**Electrical Test:**

All Assemblies must be 100% Tested for  
Shorts, Open, Continuity, and Physical Appearance.

**Environmental:**

Lead free, RoHS compliant



UNLESS OTHERWISE SPECIFIED  
ALL DIMENSIONS ARE INCHES [MM]  
TOLERANCES: EXCEPT AS NOTED  
INCHES HOLES

.X ± .10	∅.X ± .10
.XX ± .020	∅.XX ± .015
.XXX ± .015	∅.XXX ± .010

**ADAM TECH**  
INTERCONNECTS

909 Rahway Avenue,  
Union, NJ 07083  
Phone: 908-687-5000  
Fax: 908-687-5710

APPROVALS		DATE
DRAWN	AY	10/18/18
CHECKED	RC1	10/18/18
APPROVED		

TITLE CUSTOM CABLE ASSEMBLY, MCX STR PLUG TO MCX R/A PLUG WITH RG178 CABLE		
SIZE X	PART NO. CA#DKCA1-152L3-DPDRP-6	REV. A
REF: S00291T	SCALE: NTS	SHEET 1 OF 1

6

5

4

3

2

1