

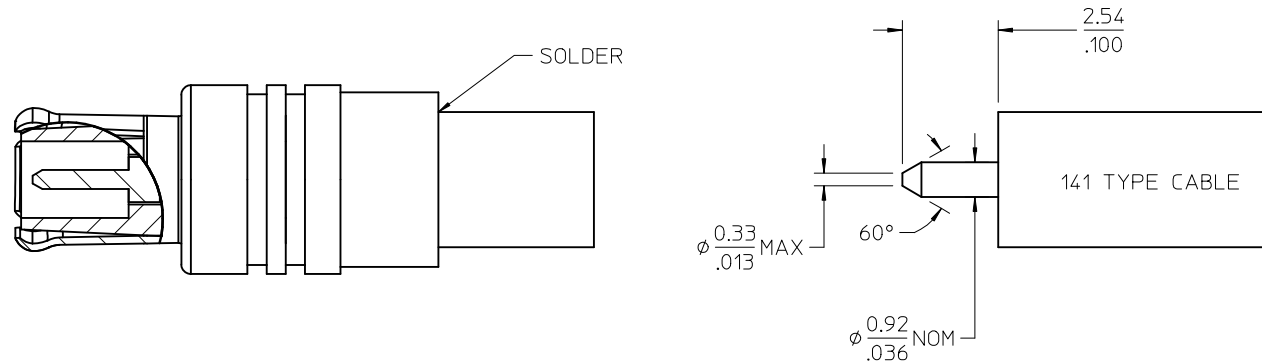
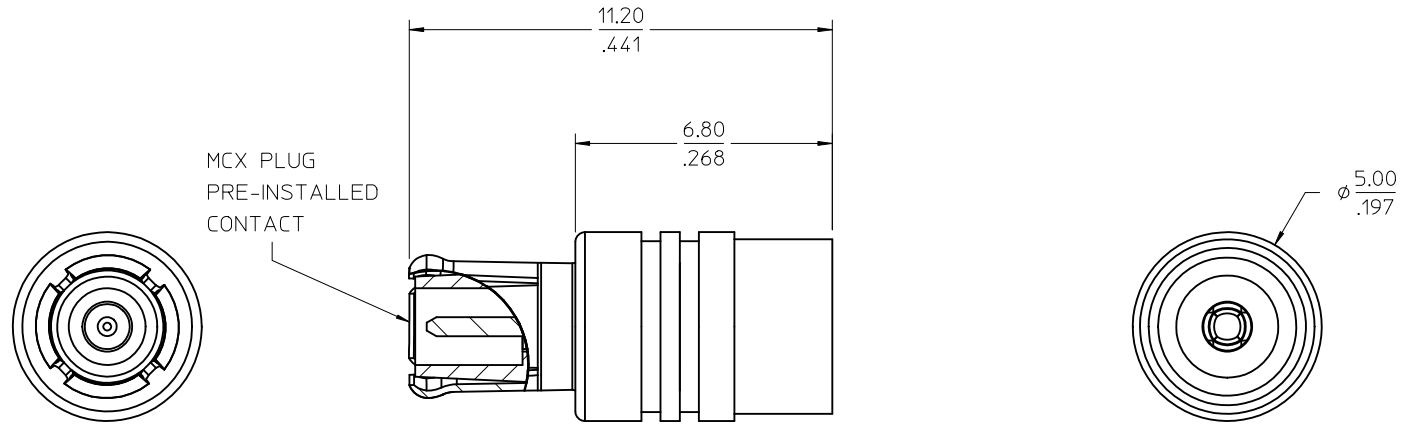
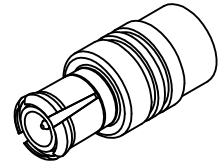
MATERIALS AND FINISHES

BODY: BRASS
PLATED GOLD

OUTER CONTACT: BERYLLIUM COPPER
PLATED GOLD

INSULATOR: TELFON

CONTACT: PHOSPHOR BRONZE
PLATED GOLD



PART # 73366-6220

CECC-22-220	INTERFACE
SPECIFICATION	DESCRIPTION

CHG: RELEASE DRAWING. EC NO: URF2010-0609 DRAWN: AROBERTSON 2010/04/27 CHKD: SSS 2010/04/28 APPR: JWIENER 2010/04/28	DESCRIPTION REV A	QUALITY SYMBOLS ▽=0 ▽=0	GENERAL TOLERANCES (UNLESS SPECIFIED) mm INCH 4 PLACES ± --- ± --- 3 PLACES ± --- ± --- 2 PLACES ± --- ± --- 1 PLACE ± --- ± --- ANGULAR ± 2 °	DIMENSION STYLE MM/IN DRAWN BY DATE AROBERTSON 2010/04/27 CHECKED BY DATE SSS APPROVED BY DATE JWIENER 2010/04/28	SCALE DESIGN UNITS METRIC THIRD ANGLE PROJECTION	TITLE MCX PLUG STR INSTALLED CONTACT 141 CABLE MCX-PC, EWR-4366 MOLEX INCORPORATED	MATERIAL NO. 733666220 DOCUMENT NO. SD-73366-622 SHEET NO. 1 OF 1
		DRAFT WHERE APPLICABLE MUST REMAIN WITHIN DIMENSIONS			THIS DRAWING CONTAINS INFORMATION THAT IS PROPRIETARY TO MOLEX INCORPORATED AND SHOULD NOT BE USED WITHOUT WRITTEN PERMISSION		