

5

4

3

2

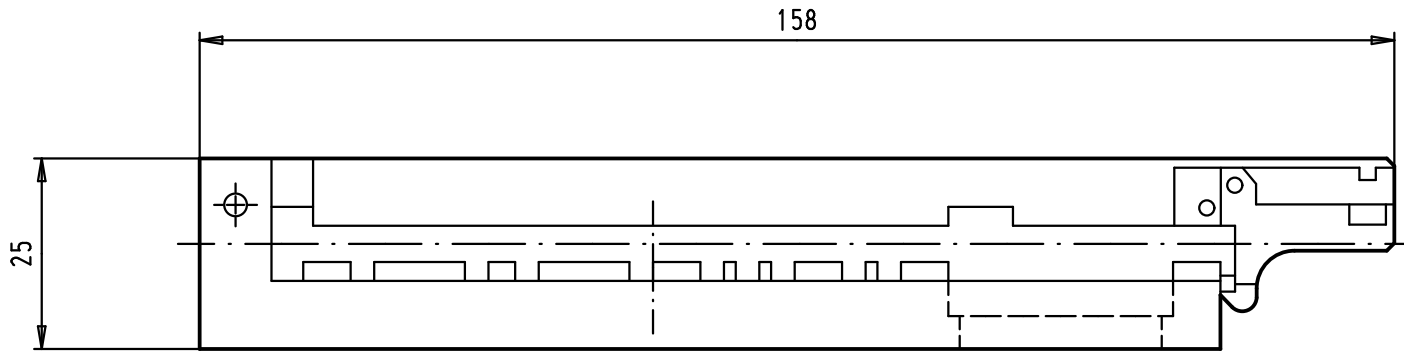
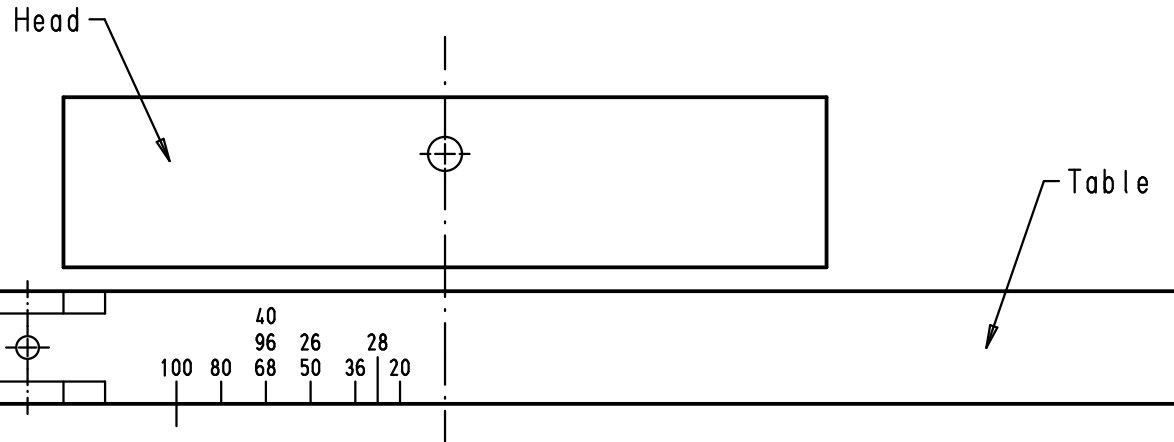
1



D

C

B

A



				Dat.	Name	 All Dim. in mm Orig. Size DIN A 4	Har-mik tools Head and table for male pin and socket connector	Maßstab/ Scale 1:1
			Detail.	09/07/02	CV			
			Insp.					
			Stand.					
35278	28/08/08	PK	HARTING EURL F-95972 Paris				TB 60 99 000 0010	Blatt/ Page 1 / 1
31060	09/07/02	CV	Mod.	Dat.	Name			