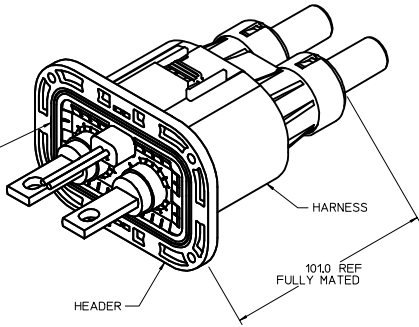
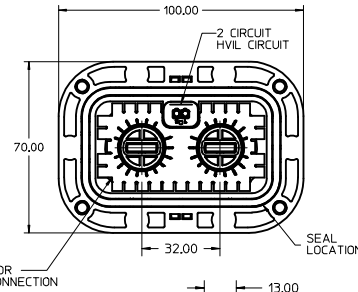
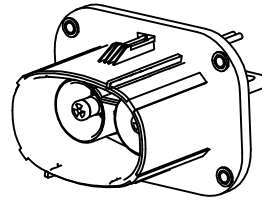


PART NUMBER	KEYING OPTION
171467-1001	A
171467-1002	B

MAIN PANEL SEAL MUST BE FULLY SEATED IN SEAL CAVITY BEFORE ATTACHMENT TO PANEL

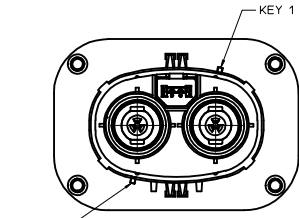


HEADER MATED TO HARNESS

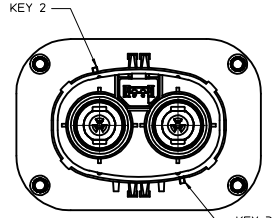


NOTES:

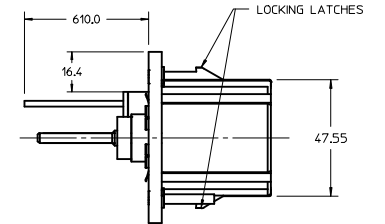
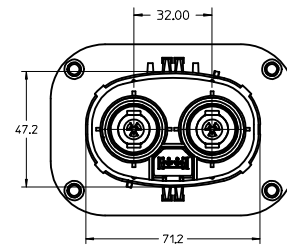
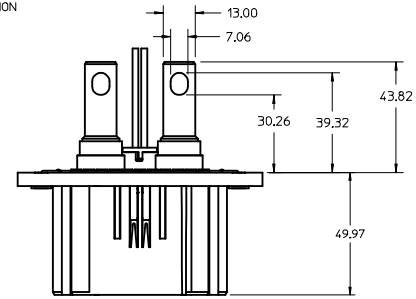
- MATERIAL:
MAIN HOUSING: POLYESTER 94V-0 (OPTIONAL UV STABILIZED)
COLOR: ORANGE
POWER TERMINALS: COPPER
HVIL TERMINALS: COPPER ALLOY
- FINISH:
POWER TERMINALS: SILVER OVER NICKEL PLATING
HVIL TERMINALS: TIN OVER NICKEL PLATING
- WIRE FOR HVIL TERMINALS: 18 GAGE TXL AUTOMOTIVE GRADE STRANDED WIRE
- MATES WITH HARNESS ASSEMBLY SERIES 171466-1***
- ATTACH HEADER WITH SCREWS TO PANEL PER MOLEX APPLICATION SPEC
- PRODUCT SPECIFICATION: PS-171467-001
- APPLICATION SPECIFICATION: AS-171467-001
- PACKAGING SPECIFICATION: PK-171467-999
- SHIELD MATING SURFACE WITHIN THE KEEP OUT ZONE MUST BE A CLEAN SURFACE WITH TIN OR NICKEL PLATING
- BUS BAR AND MOUNTING HARDWARE TO BE OVERALL TIN PLATED



OPTION A
KEYING 1-4
MOLEX STANDARD
KEYIN VERSION

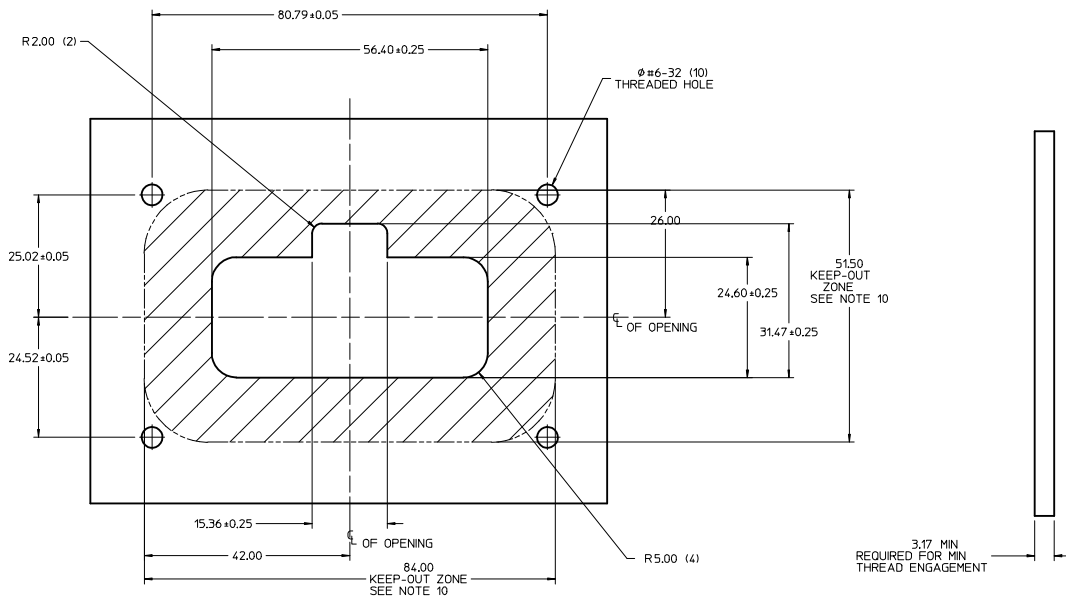


OPTION B
KEYING 2-3

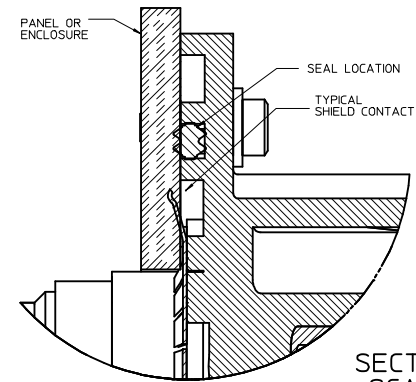
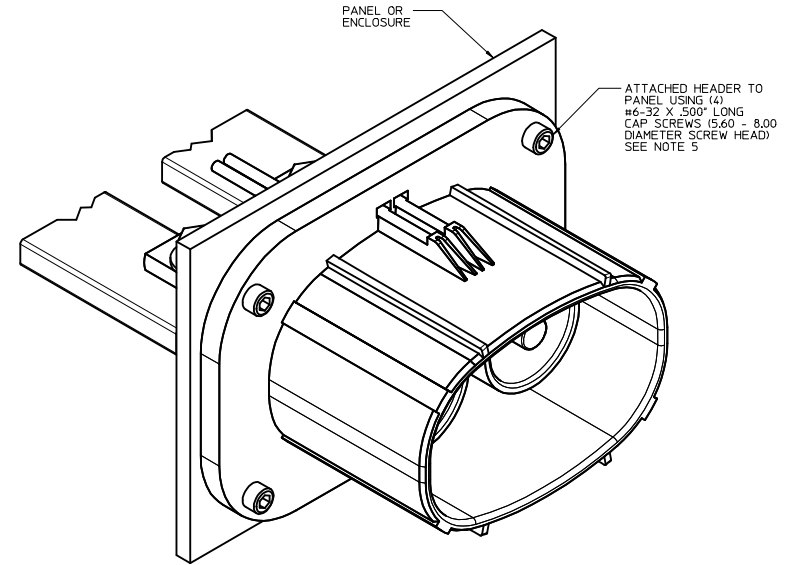


USE OF THIS PRODUCT REQUIRES THAT APPROPRIATE HIGH VOLTAGE WARNING LABELS BE APPLIED TO THE CABLE ASSEMBLY AND/OR IN CLOSE PROXIMITY OF THE MATED CONNECTOR APPLICATION IN A MANNER THAT PROVIDES SUITABLE WARNING TO THE END USER AND MEETS APPLICABLE LAWS. IT IS THE RESPONSIBILITY OF THE OEM OR MANUFACTURER OF THE PRODUCT IN WHICH THIS CONNECTOR SYSTEM IS USED TO APPLY THE APPROPRIATE HIGH VOLTAGE WARNING LABEL(S) TO THE FINAL PRODUCT. TO THE EXTENT MOLEX IS NOT RESPONSIBLE FOR THE FINAL CABLE ASSEMBLY, MOLEX DISCLAIMS ALL WARRANTIES AND LIABILITY THAT RESULT FROM A FAILURE TO PROVIDE AN APPROPRIATE WARNING.

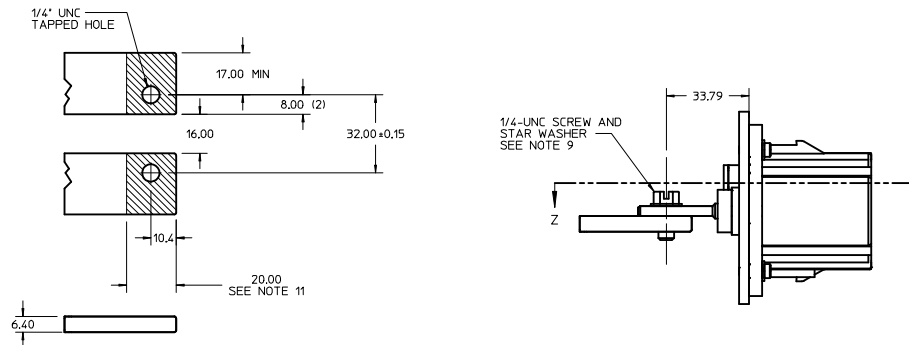
REVISED PIN LOCATION EC NO: UCP2017-1062 DRAWN BY: MDATA CHKD: MDATA APPR: APATEL REV: 1	2016/10/02	2016/10/21	QUALITY SYMBOLS ▽=0 ▽=0 ▽=0	GENERAL TOLERANCES (UNLESS SPECIFIED) mm INCH 4 PLACES ±.00 ±.00 3 PLACES ±.01 ±.01 2 PLACES ±0.60 ±.02 1 PLACE ±0.90 ±.04 ANGULAR ±1/2°	DIMENSION STYLE MM ONLY	SCALE 1:1	DESIGN UNITS METRIC	THIRD ANGLE PROJECTION
	DRAWN BY: MDATA DATE: 2011/12/08		CHECKED BY: MDATA DATE: 2011/12/21		APPROVED BY: APATEL DATE: 2012/04/11		MATERIAL NO. SEE CHART	
	DOCUMENT NO. SD-171467-1000		SHEET NO. 1 OF 2		MOLEX INCORPORATED			



PANEL REQUIREMENTS
SCALE 2:1



SECTION Z-Z
SCALE 4:1

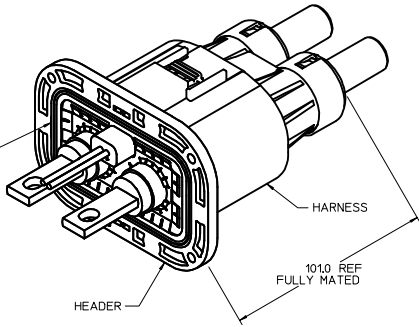


RECOMMENDED BUS BAR DETAIL

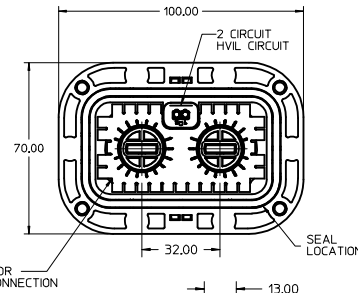
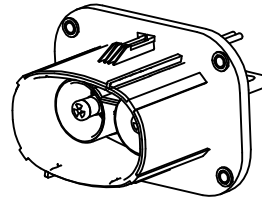
SEE SHEET 1 IEC NO: UCP2017-1062 DRAWN BY: CHYD APPR: APATEL DATE: 2016/12/21	QUALITY SYMBOLS	GENERAL TOLERANCES (UNLESS SPECIFIED)	DIMENSION STYLE	SCALE	DESIGN UNITS	THIRD ANGLE PROJECTION
	▽=0	mm INCH	MM ONLY	1:1	METRIC	☉
	▽=0	4 PLACES ± --- ± ---	DRAWN BY: MDATA	DATE: 2011/12/08	TITLE: HEADER ASSY PANEL MOUNT IMPERIUM	MOLEX INCORPORATED MATERIAL NO: SD-171467-1000 DOCUMENT NO:
	▽=0	3 PLACES ± --- ± ---	CHECKED BY: MDATA	DATE: 2011/12/21	SHEET NO: 2 OF 2	
▽=0	2 PLACES ± 0.60 ± ---	APPROVED BY: APATEL	DATE: 2012/04/11	SIZE: D	THIS DRAWING CONTAINS INFORMATION THAT IS PROPRIETARY TO MOLEX INCORPORATED AND SHOULD NOT BE USED WITHOUT WRITTEN PERMISSION	
	1 PLACE ± 0.90 ± ---	DRAFT WHERE APPLICABLE MUST REMAIN WITHIN DIMENSIONS				

PART NUMBER	KEYING OPTION
171467-1001	A
171467-1002	B

MAIN PANEL SEAL MUST BE FULLY SEATED IN SEAL CAVITY BEFORE ATTACHMENT TO PANEL

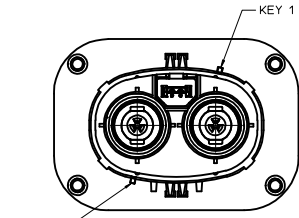


HEADER MATED TO HARNESS

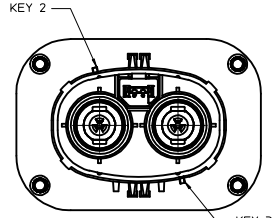


NOTES:

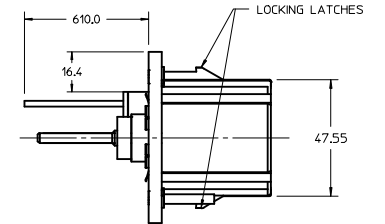
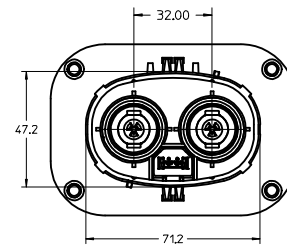
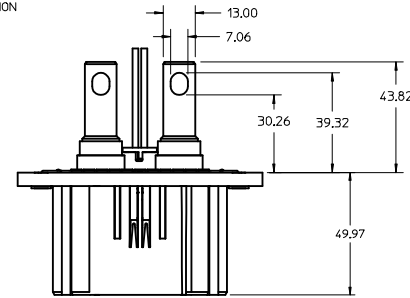
- MATERIAL:
MAIN HOUSING: POLYESTER 94V-0 (OPTIONAL UV STABILIZED)
COLOR: ORANGE
POWER TERMINALS: COPPER
HVIL TERMINALS: COPPER ALLOY
- FINISH:
POWER TERMINALS: SILVER OVER NICKEL PLATING
HVIL TERMINALS: TIN OVER NICKEL PLATING
- WIRE FOR HVIL TERMINALS: 18 GAGE TXL AUTOMOTIVE GRADE STRANDED WIRE
- MATES WITH HARNESS ASSEMBLY SERIES 171466-1***
- ATTACH HEADER WITH SCREWS TO PANEL PER MOLEX APPLICATION SPEC
- PRODUCT SPECIFICATION: PS-171467-001
- APPLICATION SPECIFICATION: AS-171467-001
- PACKAGING SPECIFICATION: PK-171467-999
- SHIELD MATING SURFACE WITHIN THE KEEP OUT ZONE MUST BE A CLEAN SURFACE WITH TIN OR NICKEL PLATING
- BUS BAR AND MOUNTING HARDWARE TO BE OVERALL TIN PLATED



OPTION A
KEYING 1-4
MOLEX STANDARD
KEYIN VERSION

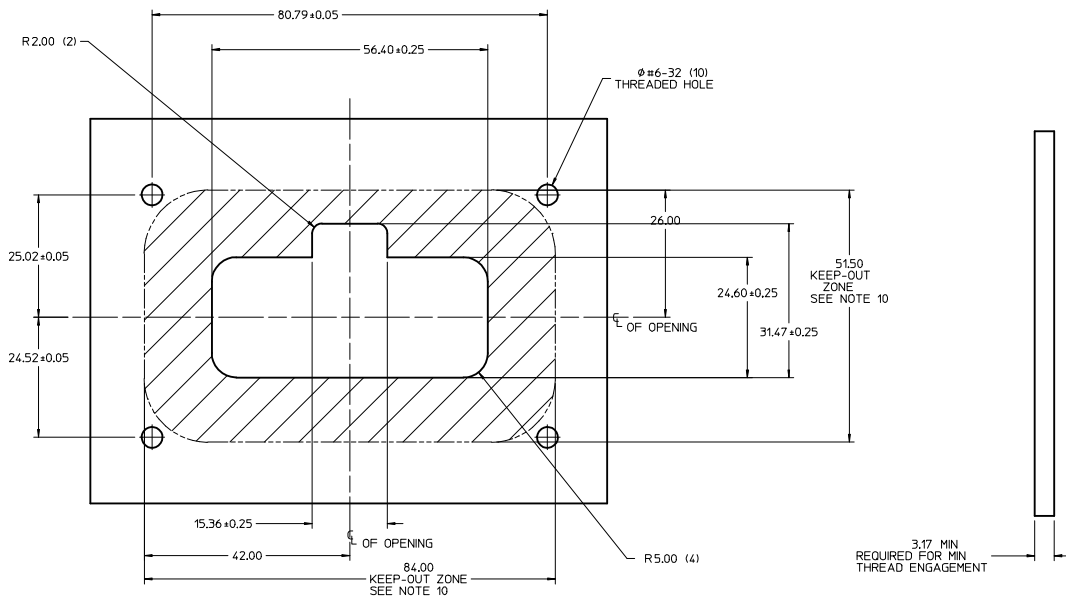


OPTION B
KEYING 2-3

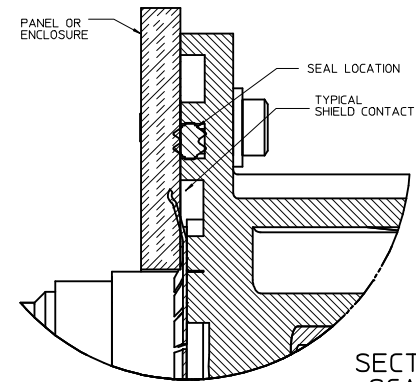
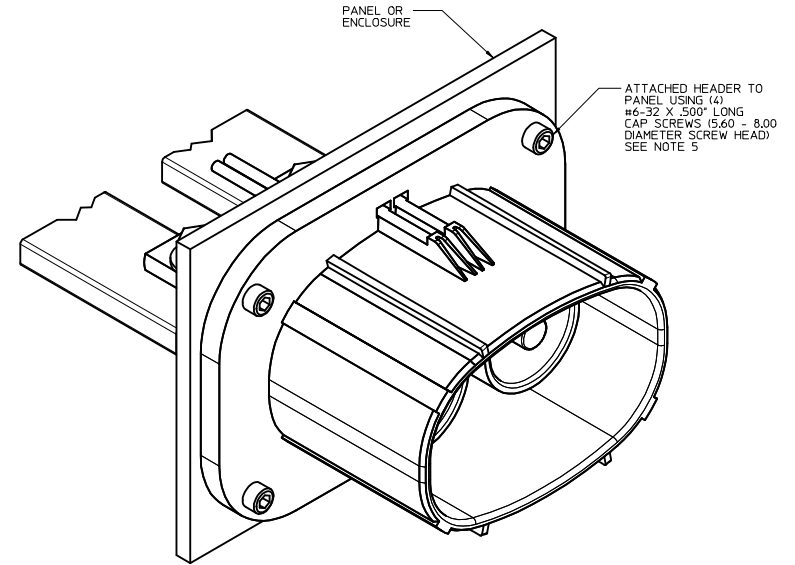


USE OF THIS PRODUCT REQUIRES THAT APPROPRIATE HIGH VOLTAGE WARNING LABELS BE APPLIED TO THE CABLE ASSEMBLY AND/OR IN CLOSE PROXIMITY OF THE MATED CONNECTOR APPLICATION IN A MANNER THAT PROVIDES SUITABLE WARNING TO THE END USER AND MEETS APPLICABLE LAWS. IT IS THE RESPONSIBILITY OF THE OEM OR MANUFACTURER OF THE PRODUCT IN WHICH THIS CONNECTOR SYSTEM IS USED TO APPLY THE APPROPRIATE HIGH VOLTAGE WARNING LABEL(S) TO THE FINAL PRODUCT. TO THE EXTENT MOLEX IS NOT RESPONSIBLE FOR THE FINAL CABLE ASSEMBLY, MOLEX DISCLAIMS ALL WARRANTIES AND LIABILITY THAT RESULT FROM A FAILURE TO PROVIDE AN APPROPRIATE WARNING.

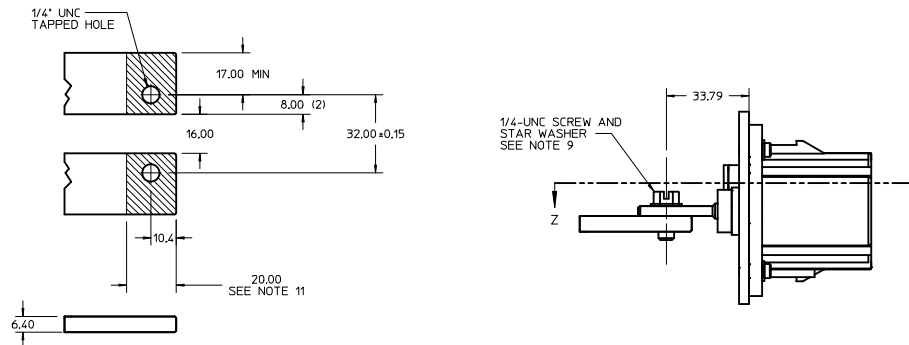
REVISED PIN LOCATION IEC NO: UCP2017-1062 DRAWN BY: MDATA CHKD: MDATA APPR: APATEL DESCRIPTION: 2016/10/02 DATE: 2016/10/21	QUALITY SYMBOLS	GENERAL TOLERANCES (UNLESS SPECIFIED)	DIMENSION STYLE	SCALE	DESIGN UNITS	THIRD ANGLE PROJECTION
	▽=0	mm INCH	MM ONLY	1:1	METRIC	☉
	▽=0	4 PLACES ± --- ± ---	DRAWN BY: MDATA	DATE: 2011/12/08	TITLE: HEADER ASSY PANEL MOUNT IMPERIUM	
	▽=0	3 PLACES ± --- ± ---	CHECKED BY: MDATA	DATE: 2011/12/21	MATERIAL NO. SEE CHART	
	2 PLACES ± 0.60 ± ---	1 PLACE ± 0.90 ± ---	APPROVED BY: APATEL	DATE: 2012/04/11	DOCUMENT NO. SD-171467-1000	
	ANGULAR ±1/2°		DRAFT WHERE APPLICABLE MUST REMAIN WITHIN DIMENSIONS		SHEET NO. 1 OF 2	
THIS DRAWING CONTAINS INFORMATION THAT IS PROPRIETARY TO MOLEX INCORPORATED AND SHOULD NOT BE USED WITHOUT WRITTEN PERMISSION						



PANEL REQUIREMENTS
SCALE 2:1



SECTION Z-Z
SCALE 4:1

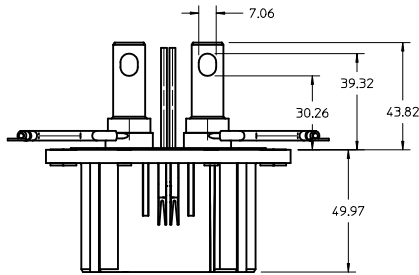
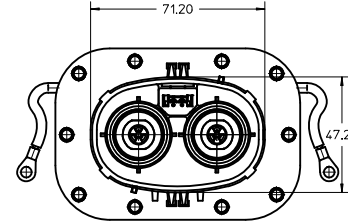
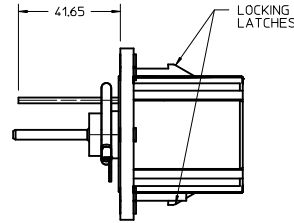
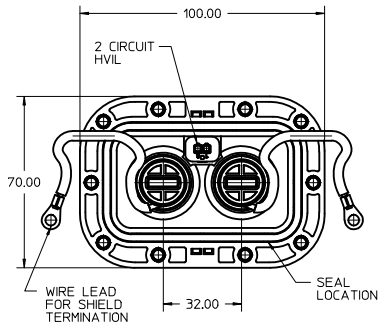
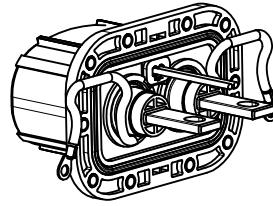
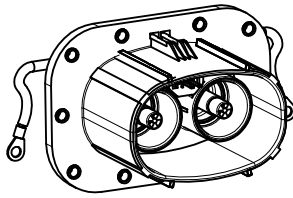


RECOMMENDED BUS BAR DETAIL

SEE SHEET 1 IEC NO: UCP2017-1062 DRAWN BY: CHYD APPR: APATEL DATE: 2016/12/21	QUALITY SYMBOLS	GENERAL TOLERANCES (UNLESS SPECIFIED)	DIMENSION STYLE	SCALE	DESIGN UNITS	THIRD ANGLE PROJECTION
	▽=0	mm INCH	MM ONLY	1:1	METRIC	☉
	▽=0	4 PLACES ± --- ± ---	DRAWN BY: MDATA	DATE: 2011/12/08	TITLE: HEADER ASSY PANEL MOUNT IMPERIUM	MOLEX INCORPORATED MATERIAL NO. SD-171467-1000 DOCUMENT NO. SD-171467-1000
	▽=0	3 PLACES ± --- ± --- 2 PLACES ± 0.60 ± --- 1 PLACE ± 0.90 ± --- ANGULAR ±1/2°	CHECKED BY: MDATA	DATE: 2011/12/21	SHEET NO. 2 OF 2	
DRAFT WHERE APPLICABLE MUST REMAIN WITHIN DIMENSIONS		SIZE D	THIS DRAWING CONTAINS INFORMATION THAT IS PROPRIETARY TO MOLEX INCORPORATED AND SHOULD NOT BE USED WITHOUT WRITTEN PERMISSION			

PART NUMBER

171467-1100



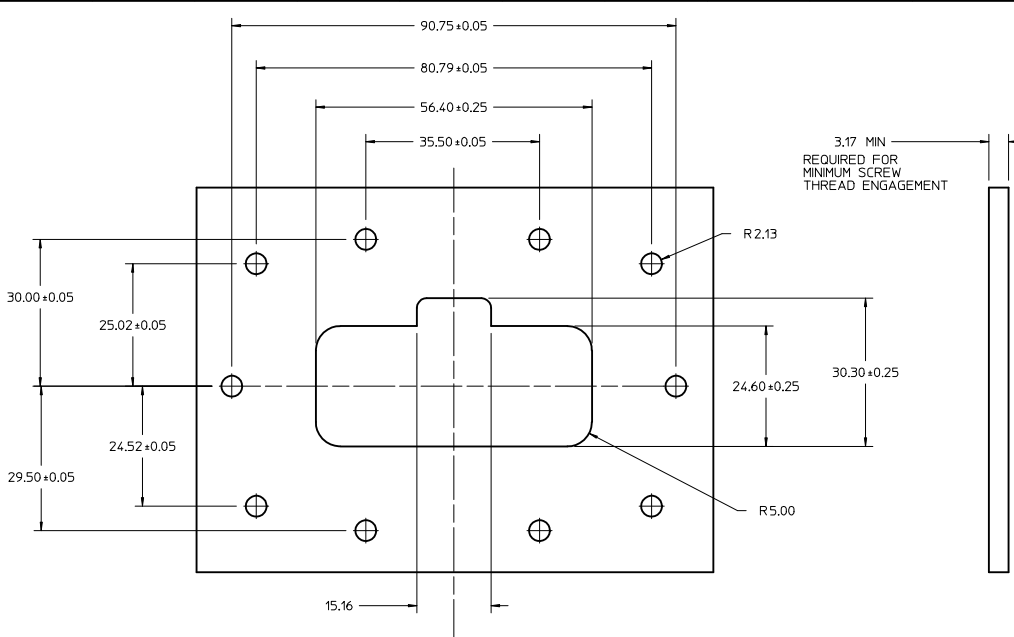
HEADER CONNECTOR WITH WIRE LEAD

NOTES:

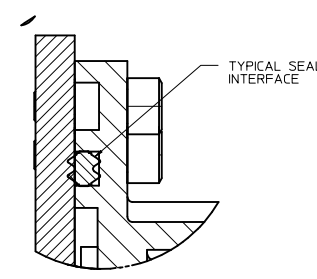
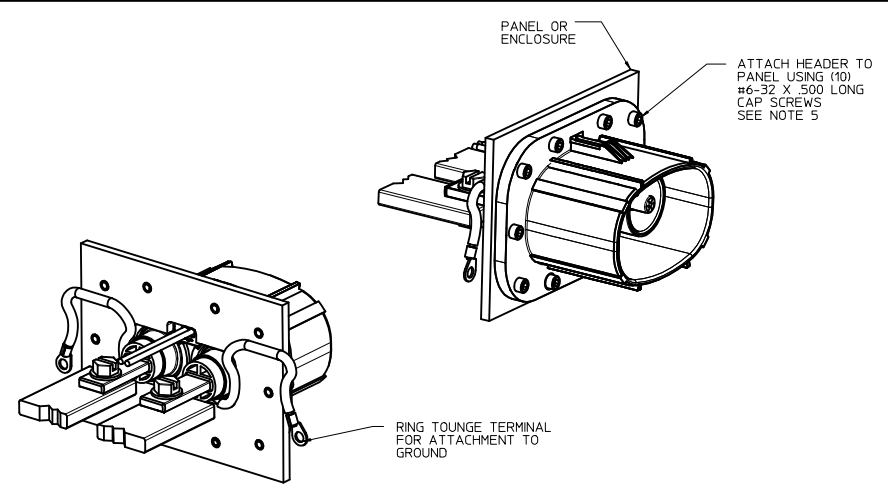
- MATERIAL:
MAIN HOUSING: POLYESTER 92V-0 (OPTIONAL UV STABILIZED)
COLOR: ORANGE
POWER TERMINALS: COPPER
HVIL TERMINALS: COPPER ALLOY
- FINISH:
POWER TERMINALS: SILVER OVER NICKEL PLATING
HVIL TERMINALS: TIN OVER NICKEL PLATING
- WIRE FOR HVIL TERMINALS: 18 GAGE XL AUTOMOTIVE GRADE STRANDED WIRE
- MATES WITH HARNESS ASSEMBLY 171466-1*** SERIES CABLES
- ATTACH HEADER WITH SCREWS TO PANEL WITH *** IN-LBS OF TORQUE
- PRODUCT SPECIFICATION: PS-171466-xxx
- APPLICATION SPECIFICATION: AS-171466-xxx
- PACKAGING SPECIFICATION: PK-171467-xxx
- ATTACH HEADER TERMINAL WITH BOLT TO BUSS BAR WITH ** IN LBS OF TORQUE
- BUS BAR AND MOUNTING HARDWARE TO BE OVERALL TIN PLATED.

PRELIMINARY

PRELIMINARY EC NO: UCP2012-3454 DRAWN/MDATA: 2012/04/19 CHKD: APPR: APATEL 2012/04/27	QUALITY SYMBOLS	GENERAL TOLERANCES (UNLESS SPECIFIED)	DIMENSION STYLE	SCALE	DESIGN UNITS	THIRD ANGLE PROJECTION
	∇=0 ∇=0 ∇=0	mm INCH 4 PLACES ±--- ±--- 3 PLACES ±--- ±--- 2 PLACES ±0.13 ±--- 1 PLACE ±0.25 ±--- 0 PLACE ±--- ±--- ANGULAR ±1/2° DRAFT WHERE APPLICABLE MUST REMAIN WITHIN DIMENSIONS	MM ONLY DRAWN BY DATE MDATA 2012/04/19 CHECKED BY DATE APPROVED BY DATE APATEL 2012/04/27	1:1	METRIC	TITLE HEADER ASSY PANEL MOUNT IMPERIUM molex
	MATERIAL NO.	DOCUMENT NO.	SHEET NO.			
	SEE CHART	SD-171467-1100	1 OF 2	THIS DRAWING CONTAINS INFORMATION THAT IS PROPRIETARY TO MOLEX INCORPORATED AND SHOULD NOT BE USED WITHOUT WRITTEN PERMISSION		

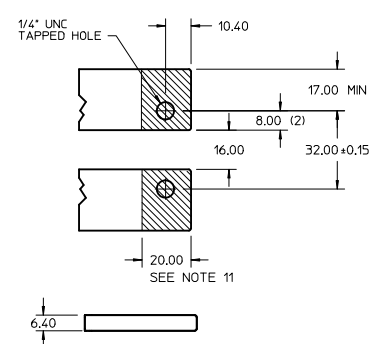


PANEL REQUIREMENTS
SCALE 2:1

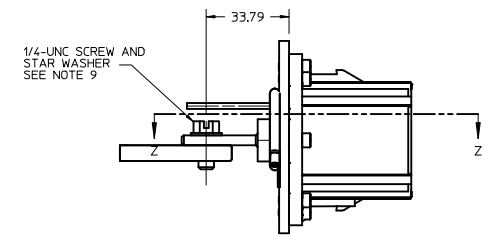


Partial1
SCALE 4:1

HEADER CONNECTOR TO PANEL ATTACHMENT



RECOMMENDED BUSS BAR DETAIL

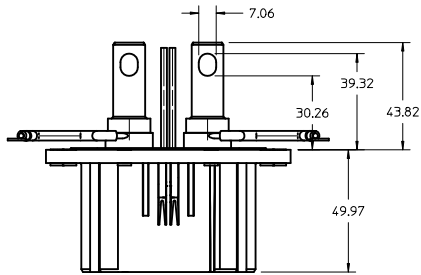
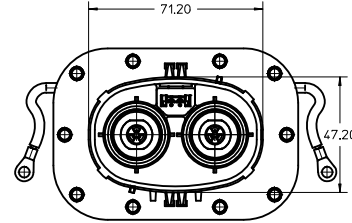
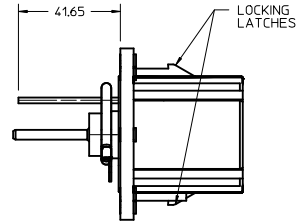
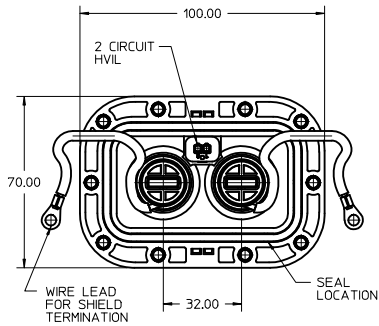
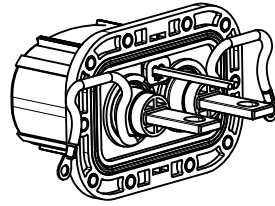
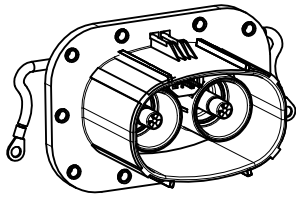


BUSS BAR ATTACHMENT

SEE SHEET 1 EC NO: UCF2012-3454 DRAWN BY: MDATA CHYD: APPR: APATEL 2012/04/19 2012/04/17	QUALITY SYMBOLS	GENERAL TOLERANCES (UNLESS SPECIFIED)	DIMENSION STYLE	SCALE	DESIGN UNITS	THIRD ANGLE PROJECTION
	∇=0 ∇=0 ∇=0	mm INCH 4 PLACES ±--- ±--- 3 PLACES ±--- ±--- 2 PLACES ±0.13 ±--- 1 PLACE ±0.25 ±--- 0 PLACE ±--- ±---	MM ONLY	1:1	METRIC	DRAWN BY: MDATA DATE: 2012/04/19 CHECKED BY: DATE APPROVED BY: APATEL DATE: 2012/04/17
DRAFT WHERE APPLICABLE MUST REMAIN WITHIN DIMENSIONS		MATERIAL NO: SEE CHART SIZE: D		THIS DRAWING CONTAINS INFORMATION THAT IS PROPRIETARY TO MOLEX INCORPORATED AND SHOULD NOT BE USED WITHOUT WRITTEN PERMISSION		

PART NUMBER

171467-1100



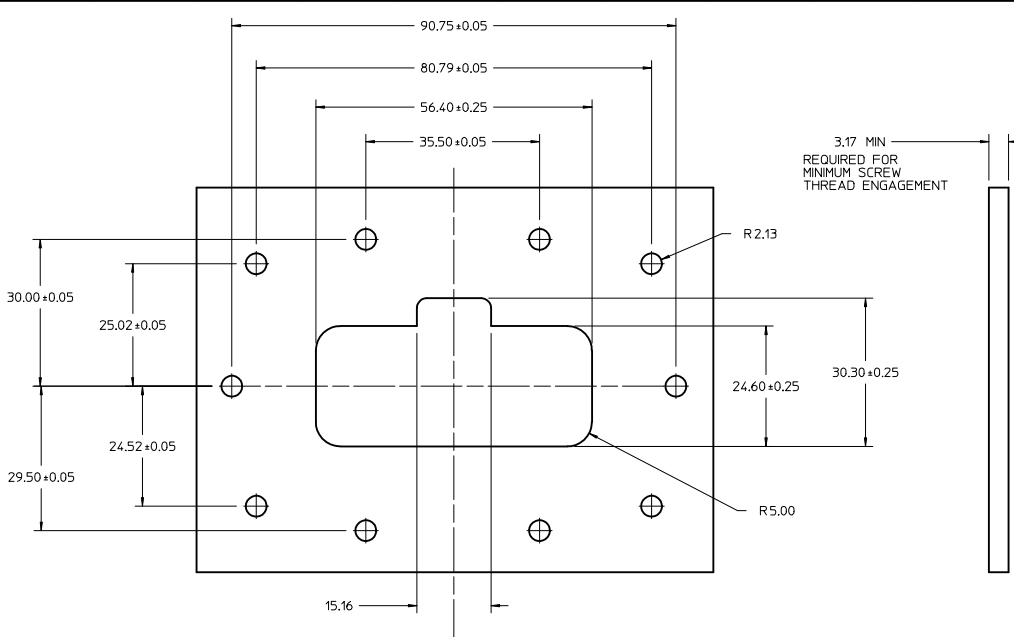
HEADER CONNECTOR WITH WIRE LEAD

NOTES:

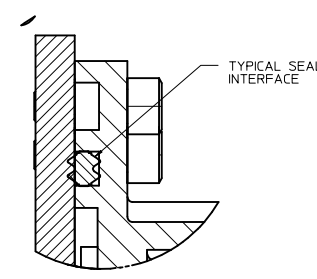
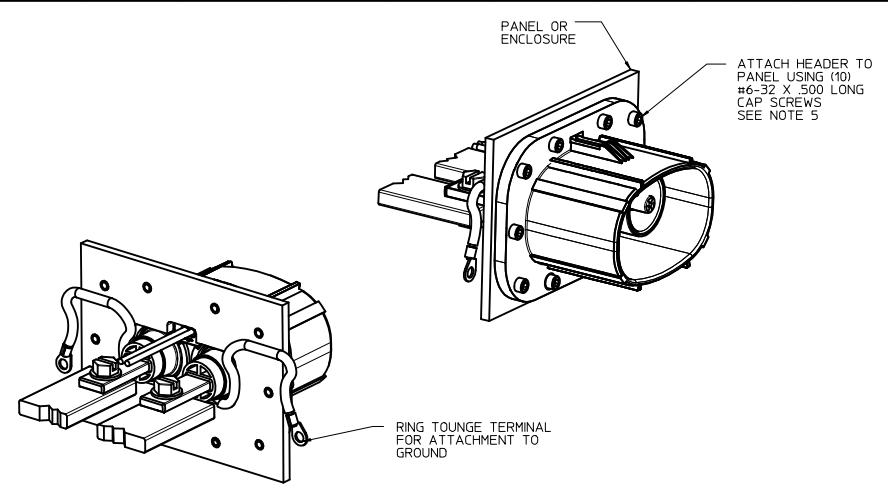
1. MATERIAL:
 MAIN HOUSING: POLYESTER 92V-0 (OPTIONAL UV STABILIZED)
 COLOR: ORANGE
 POWER TERMINALS: COPPER
 HVIL TERMINALS: COPPER ALLOY
2. FINISH:
 POWER TERMINALS: SILVER OVER NICKEL PLATING
 HVIL TERMINALS: TIN OVER NICKEL PLATING
3. WIRE FOR HVIL TERMINALS: 18 GAGE XL AUTOMOTIVE GRADE STRANDED WIRE
4. MATES WITH HARNESS ASSEMBLY 171466-1*** SERIES CABLES
5. ATTACH HEADER WITH SCREWS TO PANEL WITH *** IN-LBS OF TORQUE
6. PRODUCT SPECIFICATION: PS-171466-xxx
7. APPLICATION SPECIFICATION: AS-171466-xxx
8. PACKAGING SPECIFICATION: PK-171467-xxx
9. ATTACH HEADER TERMINAL WITH BOLT TO BUSS BAR WITH ** IN LBS OF TORQUE
10. BUSS BAR AND MOUNTING HARDWARE TO BE OVERALL TIN PLATED.

PRELIMINARY

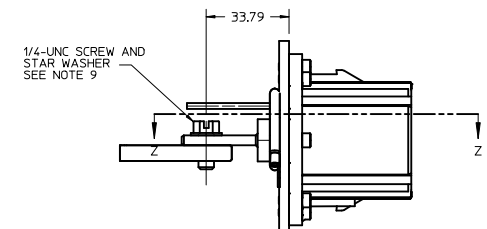
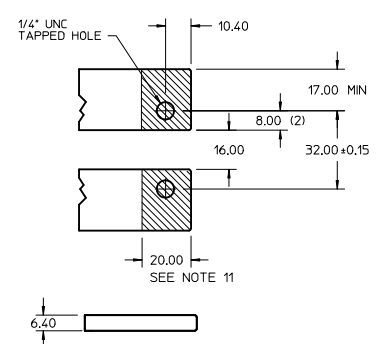
PRELIMINARY EC NO: UCP2012-3454 DRAWN/DATE: CHYD/2012/04/19 APPR: APATEL/2012/04/27	QUALITY SYMBOLS	GENERAL TOLERANCES (UNLESS SPECIFIED)	DIMENSION STYLE	SCALE	DESIGN UNITS	THIRD ANGLE PROJECTION	
	∇=0 ∇=0 ∇=0	4 PLACES ±0.13 3 PLACES ±0.25 2 PLACES ±0.25 1 PLACE ±0.25 0 PLACE ±0.25	mm INCH	MM ONLY	1:1	METRIC	THIRD ANGLE PROJECTION
	DRAWN BY: MDATA CHECKED BY: MDATA APPROVED BY: APATEL DATE: 2012/04/19	DATE: 2012/04/19 DATE: 2012/04/27	MATERIAL NO. SEE CHART	TITLE HEADER ASSY PANEL MOUNT IMPERIUM molex	DOCUMENT NO. SD-171467-1100	SHEET NO. 1 OF 2	
	DRAFT WHERE APPLICABLE MUST REMAIN WITHIN DIMENSIONS	SIZE D	THIS DRAWING CONTAINS INFORMATION THAT IS PROPRIETARY TO MOLEX INCORPORATED AND SHOULD NOT BE USED WITHOUT WRITTEN PERMISSION				



PANEL REQUIREMENTS
SCALE 2:1



Partial1
SCALE 4:1



BUSS BAR ATTACHMENT

RECOMMENDED BUSS BAR DETAIL

HEADER CONNECTOR TO PANEL ATTACHMENT

SEE SHEET 1 EC NO: UCF2012-3454 DRAWN/MDATA: 2012/04/19 CHKD: MDATA APPR: APATEL 2012/04/17	QUALITY SYMBOLS	GENERAL TOLERANCES (UNLESS SPECIFIED)	DIMENSION STYLE	SCALE	DESIGN UNITS	THIRD ANGLE PROJECTION
	∇=0 ∇=0 ∇=0	mm INCH 4 PLACES ±--- ±--- 3 PLACES ±--- ±--- 2 PLACES ±0.13 ±--- 1 PLACE ±0.25 ±--- 0 PLACE ±--- ±---	MM ONLY	1:1	METRIC	DRAWN BY: MDATA DATE: 2012/04/19 CHECKED BY: MDATA DATE: 2012/04/19 APPROVED BY: APATEL DATE: 2012/04/17
DRAFT WHERE APPLICABLE MUST REMAIN WITHIN DIMENSIONS		MATERIAL NO: SEE CHART		SIZE D THIS DRAWING CONTAINS INFORMATION THAT IS PROPRIETARY TO MOLEX INCORPORATED AND SHOULD NOT BE USED WITHOUT WRITTEN PERMISSION		