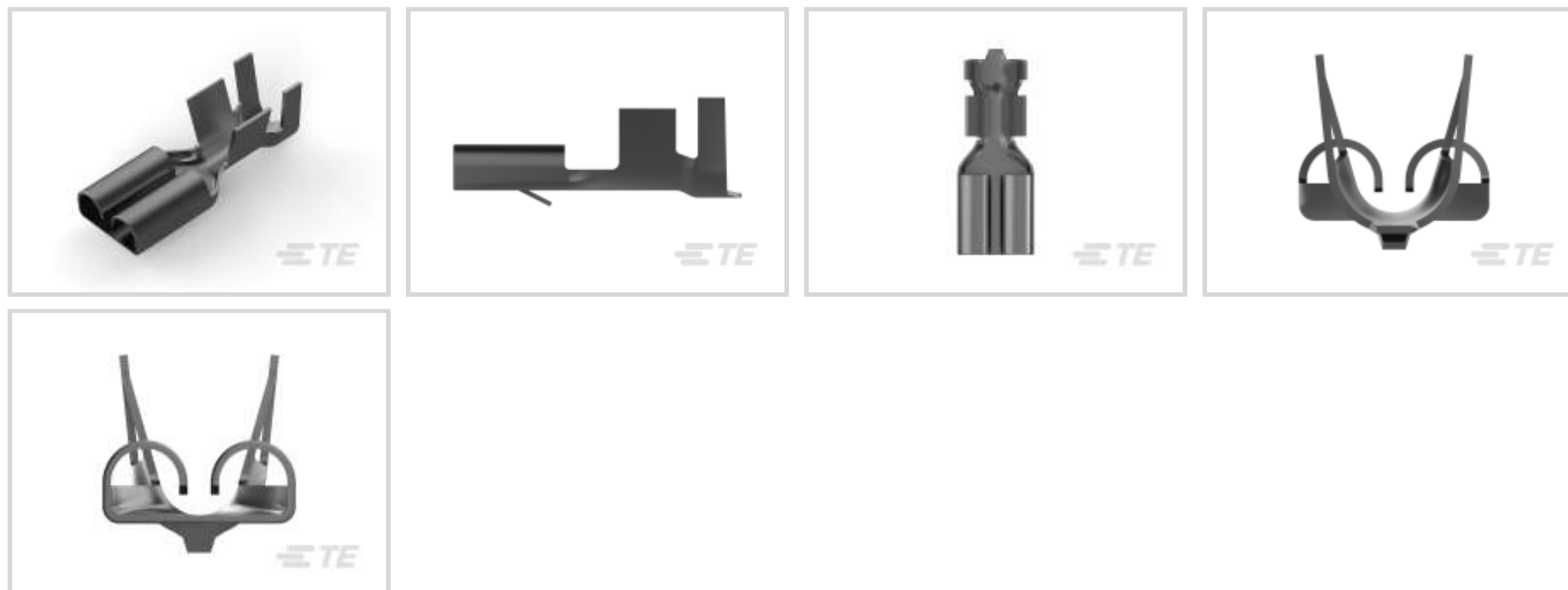




Terminals & Splices > Quick Disconnects



Quick Disconnect Terminal Type: **Receptacle**

Wire Size: **4 – 6.63 mm²**

Mating Tab Width: **6.35 mm [.25 in]**

Mating Tab Thickness: **.81 mm [.032 in]**

Features

Product Type Features

Insertion Force	Normal
-----------------	--------

Configuration Features

Compatible With Wire & Cable Type	Discrete Wire
-----------------------------------	---------------

Contact Features

Quick Disconnect Terminal Type	Receptacle
Mating Tab Width	6.35 mm [.25 in]
Mating Tab Thickness	.81 mm [.032 in]
Terminal Orientation	Straight
Contact Base Material	Brass
Terminal Plating Material	Tin
Crimp Type	F-Crimp
Barrel Type	Open

Termination Features

Product Terminates To	Wire & Cable
-----------------------	--------------



Mechanical Attachment

Wire Insulation Support	With
Mating Retention Type	Locking Lance

Dimensions

Terminal Material Thickness	.3 mm[.012 in]
Product Length	19.2 mm[.756 in]
Compatible Insulation Diameter Range	3.43 – 5.08 mm[.135 – .2 in]
Wire Size	4 – 6.63 mm ²

Usage Conditions

Insulation Option	Uninsulated
-------------------	-------------

Packaging Features

Packaging Quantity	5000
Packaging Method	Reel

Product Compliance

[For compliance documentation, visit the product page on TE.com>](#)













EU RoHS Directive 2011/65/EU	Compliant
EU ELV Directive 2000/53/EC	Compliant
China RoHS 2 Directive MIIT Order No 32, 2016	No Restricted Materials Above Threshold
EU REACH Regulation (EC) No. 1907/2006	Current ECHA Candidate List: JUNE 2023 (235) Candidate List Declared Against: JUNE 2023 (235) Does not contain REACH SVHC
Halogen Content	Low Halogen - Br, Cl, F, I < 900 ppm per homogenous material. Also BFR/CFR/PVC Free
Solder Process Capability	Not reviewed for solder process capability

Product Compliance Disclaimer

This information is provided based on reasonable inquiry of our suppliers and represents our current actual knowledge based on the information they provided. This information is subject to change. The part numbers that TE has identified as EU RoHS compliant have a maximum concentration of 0.1% by weight in homogenous materials for lead, hexavalent chromium, mercury, PBB, PBDE, DBP, BBP, DEHP, DIBP, and 0.01% for cadmium, or qualify for an exemption to these limits as defined in the Annexes of Directive 2011/65/EU (RoHS2). Finished electrical and electronic equipment products will be CE marked as required by Directive 2011/65/EU. Components may not be CE marked. Additionally, the part numbers that TE has identified as EU ELV compliant have a maximum concentration of 0.1% by weight in homogenous materials for lead, hexavalent chromium, and mercury, and 0.01% for cadmium, or qualify for an exemption to these limits as defined in the Annexes of Directive 2000/53/EC (ELV). Regarding the REACH Regulation, the information TE provides on SVHC in articles for this part number is based on the latest European Chemicals Agency (ECHA) 'Guidance on

requirements for substances in articles' posted at this URL: <https://echa.europa.eu/guidance-documents/guidance-on-reach>

Compatible Parts

 <p>TE Part # 6-160448-5 FF 250 REC 1.0-2.5MM2 TPBR</p>	 <p>TE Part # 160917-2 FF 250 REC 1-2.5MM2 TPBR</p>	 <p>TE Part # 5-160446-5 FF 250 REC 1.0-2.5MM2 TBBR</p>	 <p>TE Part # 160860-3 6,35 FASTIN-FASTON RECEP</p>
 <p>TE Part # 160860-2 FF 250 REC 0.5-1.0MM2 TPBR</p>	 <p>TE Part # 6-160448-2 FF 250 REC 1.0-2.5MM2 TPPB</p>	 <p>TE Part # 6-160448-6 FF 250 REC 1-2.5MM2 BR SILVER PLATED</p>	 <p>TE Part # 160913-2 FF 250 REC 2.5-4.0MM2 TPBR</p>
 <p>TE Part # 160950-3 FF 250 REC TPBR SOLDERING</p>	 <p>TE Part # 6-160448-0 FF 250 REC 1.0-2.5MM2 BR</p>	 <p>TE Part # 626096-2 .250 S FASTIN ON</p>	 <p>TE Part # 626328-1 FF 250 RECEPTACLE 4.0-6.0 MM2 BR</p>

Also in the Series | FASTIN-FASTON 250

 <p>Crimp Terminal Housings(211)</p>	 <p>Insertion & Extraction Tools(2)</p>	 <p>PCB Terminals(2)</p>	 <p>Quick Disconnects(254)</p>
-------------------------------------------------------------------------------------------------------------------------	--------------------------------------------------------------------------------------------------------------------------------	---------------------------------------------------------------------------------------------------------------	---------------------------------------------------------------------------------------------------------------------

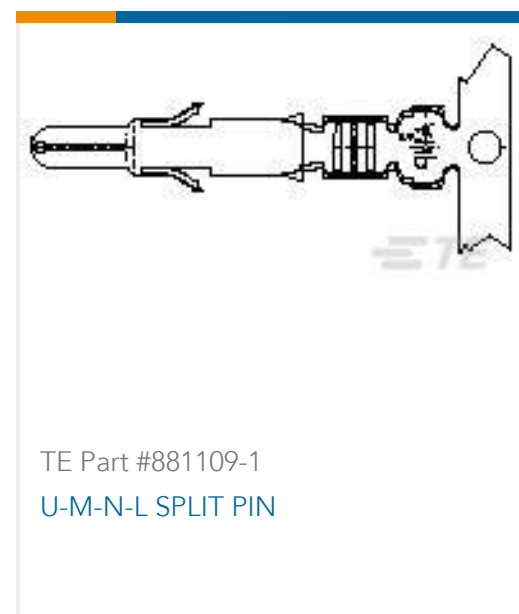
Customers Also Bought



TE Part #3-641435-4
04P MTA156 CONN ASSY ORNG



TE Part #626437-4
ELCETRO TAP ASSY



TE Part #881109-1
U-M-N-L SPLIT PIN



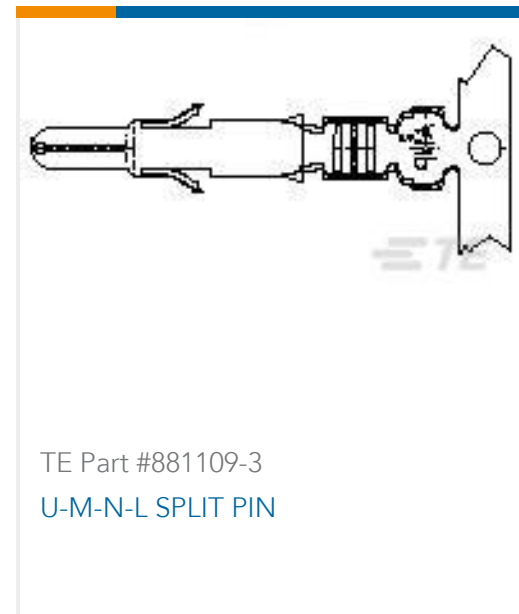
TE Part #881111-1
U-M-N-L SOCKET



TE Part #880646-5
PL REC 0.5-1.0 MM2 0.40 X 52.32
PTPBR



TE Part #880636-2
FF 250 TAB 1.0-2.5 MM2 0.39 X 13.2
TPBR



TE Part #881109-3
U-M-N-L SPLIT PIN



TE Part #4-280050-2
250 FASTON, FLAG, REC., 16-20 AWG,
TPBR



TE Part #626328-1
FF 250 RECEPTACLE 4.0-6.0 MM2 BR

Documents

Product Drawings

[FF 250 RECEPTACLE 4.0-6.0 MM2 TPBR](#)

English

CAD Files

[3D PDF](#)

3D

Customer View Model

[ENG_CVM_CVM_626328-2_J1_c-626328-2-j1.2d_dxf.zip](#)

English

Customer View Model

[ENG_CVM_CVM_626328-2_J1_c-626328-2-j1.3d_igs.zip](#)

English

Customer View Model

[ENG_CVM_CVM_626328-2_J1_c-626328-2-j1.3d_stp.zip](#)

English

By downloading the CAD file I accept and agree to the [Terms and Conditions](#) of use.