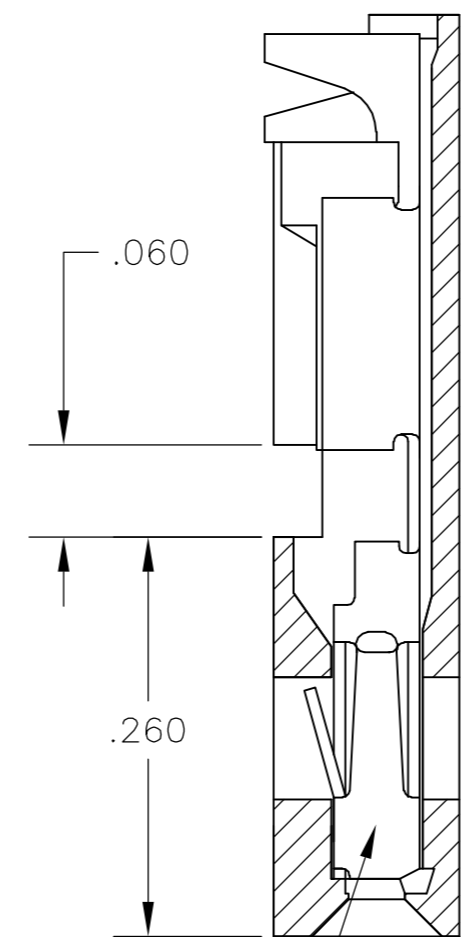
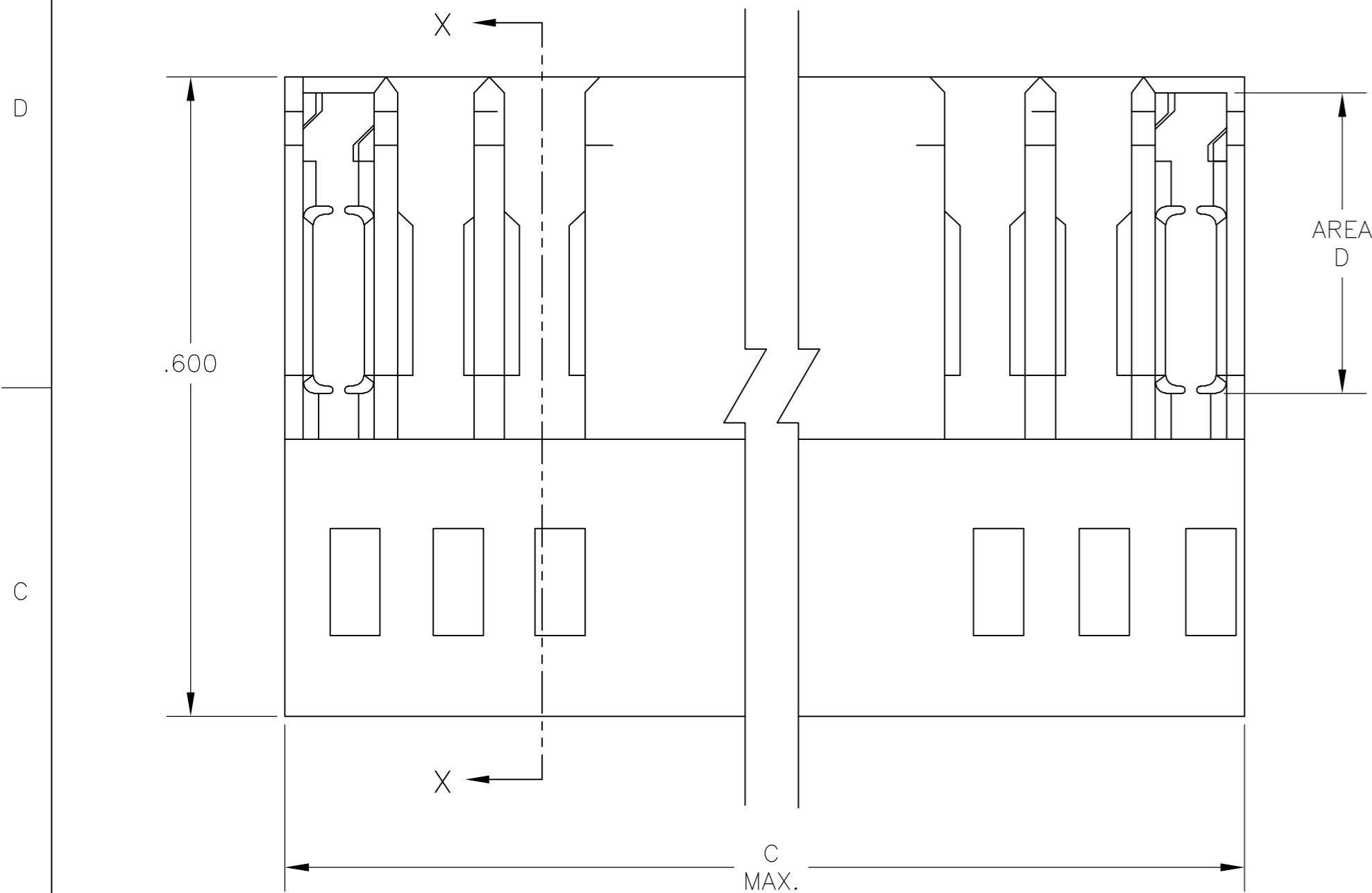


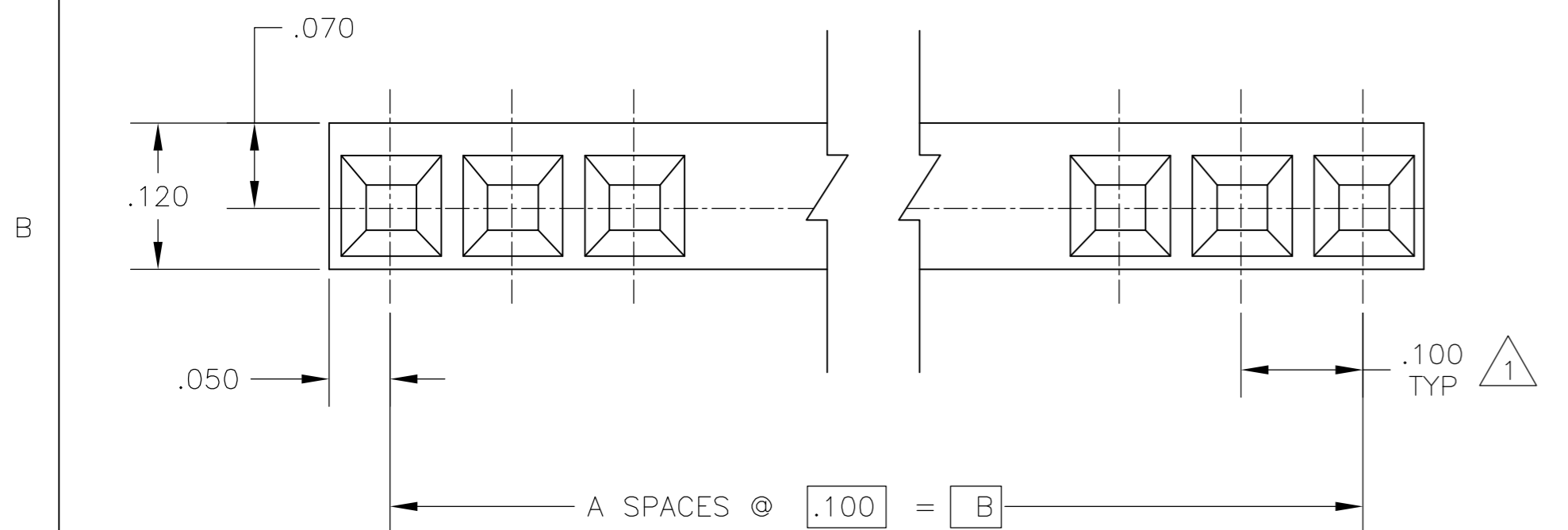
THIS DRAWING IS UNPUBLISHED. RELEASED FOR PUBLICATION  
 © COPYRIGHT BY TYCO ELECTRONICS CORPORATION. ALL RIGHTS RESERVED.

LOC		DIST		REVISIONS			
P	LTR	DESCRIPTION		DATE	DWN	APVD	
	G	EC 0G3C-677-04		04JAN07	MB	NE	



SECTION X-X

- 1 CAVITY LOCATION DIMENSIONS INCREASE INCREMENTS OF .100 TOLERANCE NON-CUMULATIVE.
- 2 .000030 GOLD IN CONTACT AREA, .000050-.000100 TIN-LEAD IN AREA D, ALL OVER .000050 NICKEL.
- 3 PRELIMINARY PART-NOT RELEASED FOR PRODUCTION.
- 4 .000030 GOLD IN CONTACT AREA, .000050-.000100 TIN IN AREA D, ALL OVER .000050 NICKEL.
- 5 ROHS 2002/95/EC COMPLIANT



FINISH	C	B	A	NO.OF POS.	PART NO.
2	1.700	1.600	16	17	6-102746-7
3	2.500	2.400	24	25	2-102746-5
2	2.400	2.300	23	24	2-102746-4
2	2.300	2.200	22	23	2-102746-3
2	2.200	2.100	21	22	2-102746-2
2	2.100	2.000	20	21	2-102746-1
2	2.000	1.900	19	20	2-102746-0
2	1.900	1.800	18	19	1-102746-9
2	1.800	1.700	17	18	1-102746-8
2	1.700	1.600	16	17	1-102746-7
2	1.600	1.500	15	16	1-102746-6
2	1.500	1.400	14	15	1-102746-5
2	1.400	1.300	13	14	1-102746-4
2	1.300	1.200	12	13	1-102746-3
2	1.200	1.100	11	12	1-102746-2
2	1.100	1.000	10	11	1-102746-1
2	1.000	.900	9	10	1-102746-0
2	.900	.800	8	9	102746-9
2	.800	.700	7	8	102746-8
2	.700	.600	6	7	102746-7
2	.600	.500	5	6	102746-6
2	.500	.400	4	5	102746-5
2	.400	.300	3	4	102746-4
2	.300	.200	2	3	102746-3
2	.200	.100	1	2	102746-2
	-	-	-	-	-

THIS DRAWING IS A CONTROLLED DOCUMENT.

DIMENSIONS: INCHES	TOLERANCES UNLESS OTHERWISE SPECIFIED:	DWN	-
	0 PLC ± -	CHK	-
	1 PLC ± -	APVD	-
	2 PLC ± -	PRODUCT SPEC	-
	3 PLC ± .005	APPLICATION SPEC	-
	4 PLC ± -	WEIGHT	-
	ANGLES ± -	CUSTOMER DRAWING	-
MATERIAL HOUSING= FLAME RETARDENT THERMOPLASTIC	FINISH SEE TABLE	Tyco Electronics Corporation Harrisburg, Pa 17105-3608	
COLOR=BLACK		ASS'Y HOUSING, MASS TERMINATION, AMPMODU, SINGLE ROW, .100 CENTER-LINE, #22-#26 AWG WIRE SIZE	
CONTACTS=PHOS. BRONZE		SIZE	CAGE CODE
		A2	00779
		DRAWING NO	RESTRICTED TO
		C=102746	-
		SCALE	SHEET
		8:1	1 OF 1
		REV	G