

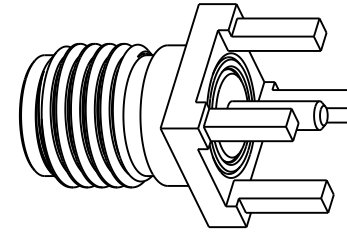
NOTES:

1. MATERIALS AND FINISHES:
 BODY - BRASS, GOLD PLATING
 CONTACT - BERYLLIUM COPPER, GOLD PLATING
 INSULATOR - PTFE, NATURAL
2. ELECTRICAL;
 A. IMPEDANCE: 50 OHM
 B. FREQUENCY RANGE: DC-18 GHz
 C. DIELECTRIC WITHSTANDING VOLTAGE: 1000 VRMS, MIN.
3. MECHANICAL:
 A. DURABILITY: 500 CYCLES MIN.
 B. TEMPERATURE RANGE: -65° TO +165°

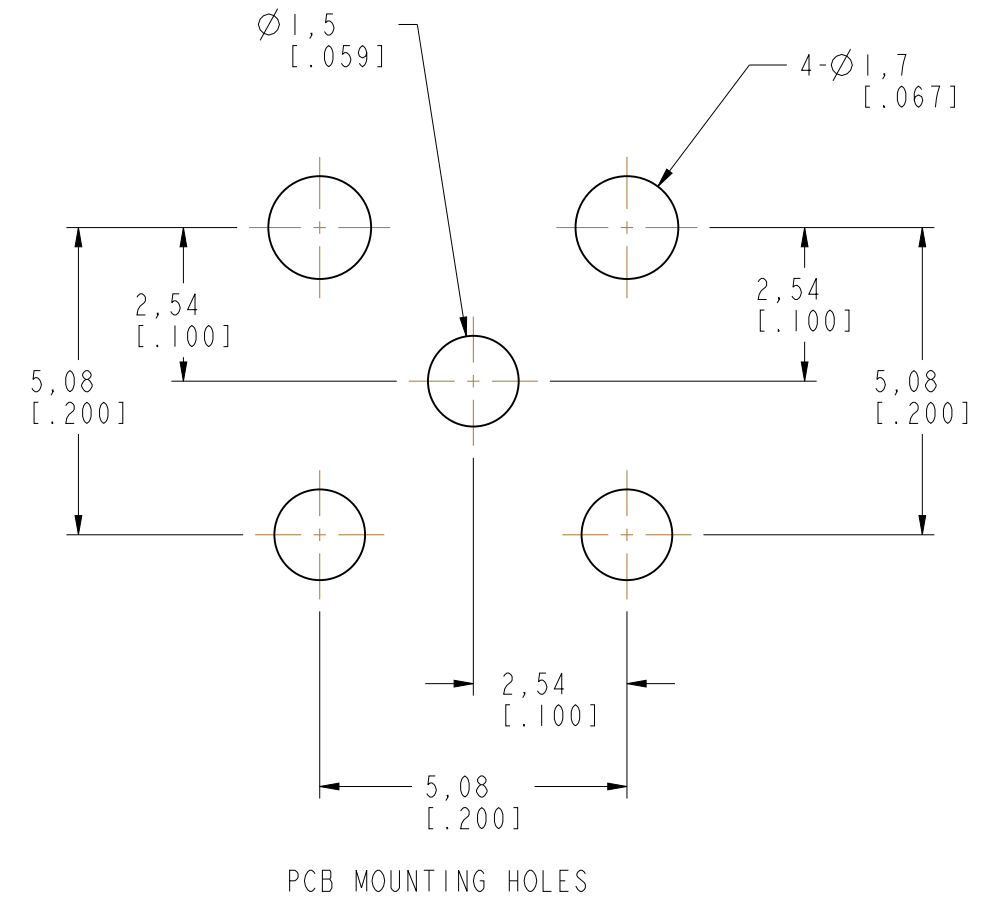
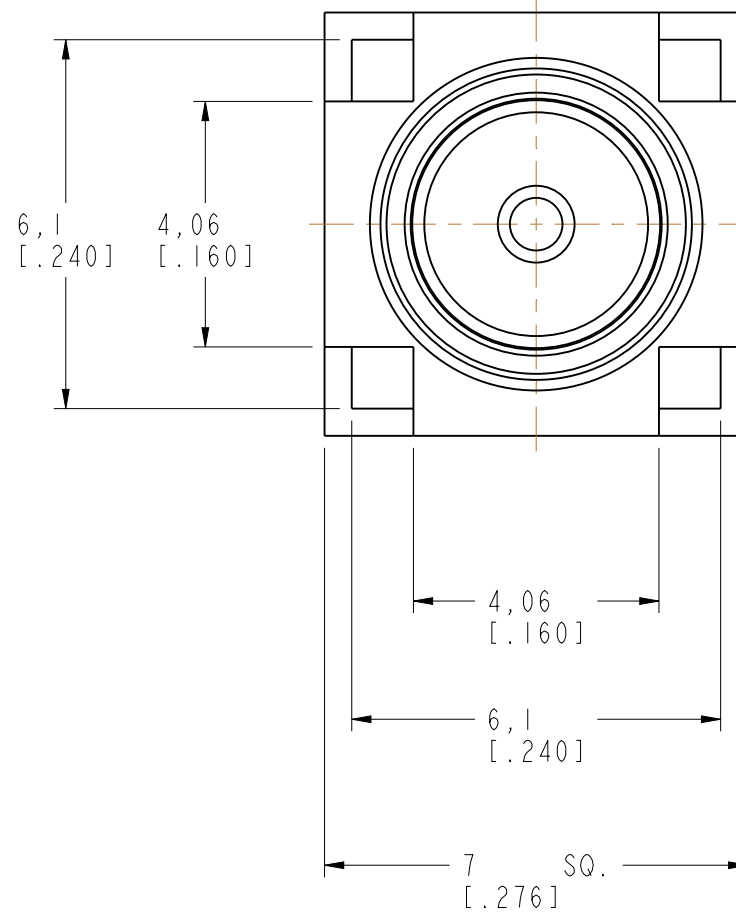
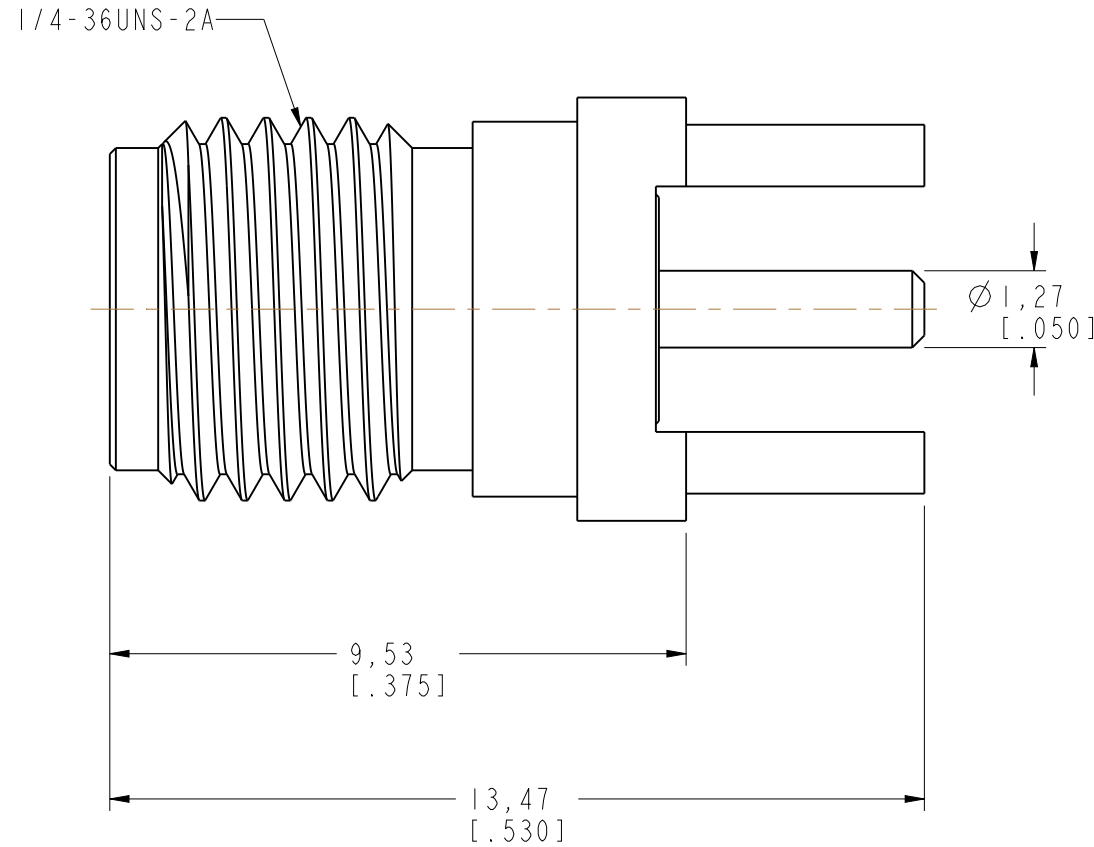
THIRD ANGLE PROJ.

REVISIONS

REV	DESCRIPTION	DATE	ECO	APPR
A	UPDATE DRAWING FORMAT	31-Mar-04	--	SH
B	MODIFY FLANGE TO 7.0mm SQUARE	29-Nov-04	--	SH
C	SYNCH DRAWING\RD-DMI4101701J9	10-Nov-14	50226	SH



SCALE 3.000



CUSTOMER OUTLINE DRAWING
 ALL OTHER SHEETS ARE FOR INTERNAL USE ONLY

UNLESS OTHERWISE SPECIFIED, DIMENSIONS ARE IN METRIC AND TOLERANCES ARE:
 <0.5mm ±0.05mm 0.5 - 6mm ±0.1mm 6 - 30mm ±0.2mm 30 - 120mm ±0.3mm ANGLES ±1°

NOTICE - These drawings, specifications, or other data (1) are, and remain the property of Amphenol corp. (2) must be returned upon request; and (3) are confidential and not to be disclosed to any person other than those to whom they are given by Amphenol Corp. the furnishing of these drawings, specifications, or other data by Amphenol Corp., or to any other person to anyone for any purpose is not to be regarded by implication or otherwise in any manner licensing, granting rights to permitting such holder or any other person to manufacture, use or sell any product, process or design, patented or otherwise, that may in any way be related to or disclosed by said drawings, specifications, or other data.

MATERIAL -	DRAWN JONA	DATE 06-Nov-14	TITLE SMA P.C.B JACK		Amphenol RF www.amphenolrf.com	
	ENGINEER S.LI	DATE 05-Dec-11				
REFERENCE SMA6251A1-3GT5GP-50	APPROVED S.HSIEH	DATE 06-Nov-14	SCALE: 8.0:1.0	SHEET	3 OF 3	DRAWING NO.
	CONFIGURATION LEVEL: In Work	CAD FILE	DWG SIZE B	REV C	PART NO.132134	ITEM NO.
FINISH						