

## Flat suction pad (round)

SUF 40 NBR-55 G1/8-IG

Part no.:10.01.01.14094

<https://www.schmalz.com/10.01.01.14094>

Home > Vacuum Technology for Automation > Vacuum Components > Vacuum Suction Cups > Flat Suction Cups (Round) > Flat Suction Cups SUF > SUF 40 NBR-55 G1/8-IG

### Flat suction cup (round) for process safe handling of smooth or slightly rough surfaces



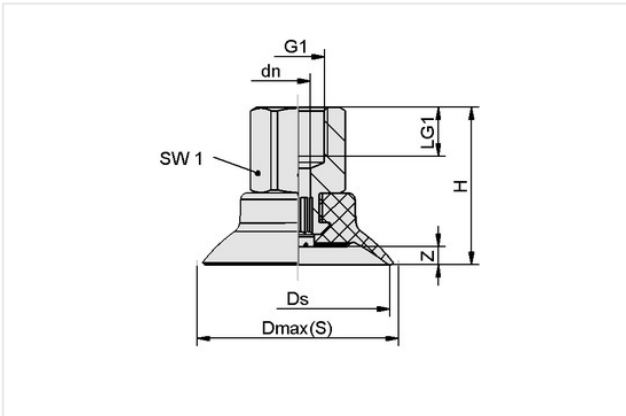
Size: 40

Suction cup material: Nitrile rubber NBR

Material hardness [Shore A]: 55 Shore A

Vacuum connection: G1/8"-F

### Design Data



| Attribute  | Value   |
|------------|---------|
| Dmax(S)    | 44 mm   |
| Ds         | 40 mm   |
| dn         | 6.10 mm |
| G1         | G1/8"-F |
| H          | 30 mm   |
| LG1        | 8 mm    |
| SW1        | 17 mm   |
| Z (Stroke) | 4 mm    |

### Technical Data

| Attribute                   | Value                |
|-----------------------------|----------------------|
| Suction force (-600mbar)    | 61 N                 |
| Pull-off force              | 61 N                 |
| Volume                      | 3.80 cm <sup>3</sup> |
| Curve radius (min) (convex) | 50 mm                |
| Hose diameter (empf.) d     | 4 mm                 |
| Size                        | 40                   |
| Suction cup material        | Nitrile rubber NBR   |
| Material hardness [Shore A] | 55 Shore A           |

### Contact Schmalz

Schmalz Inc. | 5850 Oak Forest Drive, Raleigh, NC 27616, United States | +1 (919) 713-0880 | [schmalz.us@schmalz.com](mailto:schmalz.us@schmalz.com)

## Flat suction pad (round)

SUF 40 NBR-55 G1/8-IG

Part no...:10.01.01.14094

<https://www.schmalz.com/10.01.01.14094>

|                 |         |
|-----------------|---------|
| Weight          | 18.90 g |
| Product family  | SUF     |
| Number of folds | 0       |

Note: Suction force: The specified suction forces are theoretical values at a vacuum of -0.6 bar and with a dry, smooth and flat workpiece surface - they do not include a safety factor  
Hose diameter: The recommended hose diameter refers to a hose length of approx. 2 m

### Spare parts



#### SC 050 G1/8-IG

Part no...:10.01.06.04308

Connection geometry: 050

Vacuum connection: G1/8"-F

Fitting length: 14 mm

Nominal diameter dn: 6.1 mm



#### SUF 40 NBR-55 SC050

Part no...:10.01.01.13951

Size: 40

Suction cup material: Nitrile rubber NBR

Material hardness [Shore A]: 55 Shore A