



# ANATECH ELECTRONICS, INC.

Manufacturer of RF & Microwave Products

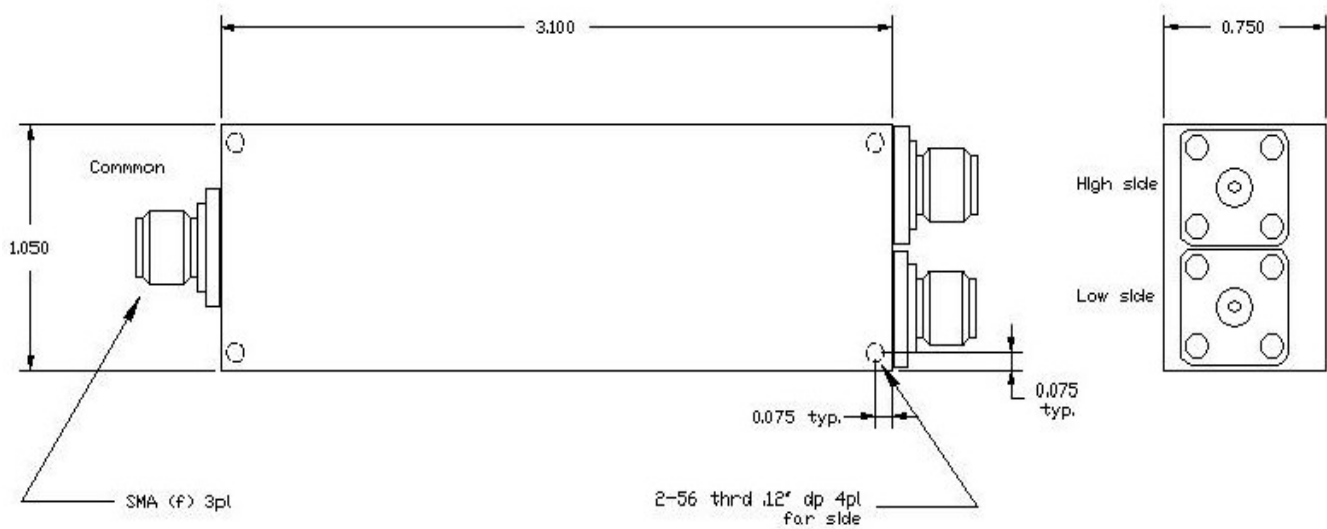


## 9.75-9.95 GHz / 10.14-10.44 GHz Duplexer

Part Number: AE9850-10290DB5290

<b>Band 1:</b>	9.75-9.95 GHz
Insertion Loss:	<3.5 dB
Return Loss @ Passband:	>10 dB
Rejection:	>60 dB 10.14-10.44 GHz
<b>Band 2:</b>	10.14 GHz-10.44 GHz
Insertion Loss:	<3.5 dB
Return Loss @ Passband:	>10 dB
Rejection:	>55 dB 9.75-9.95 GHz

### Outline Drawing:





# ANATECH ELECTRONICS, INC.

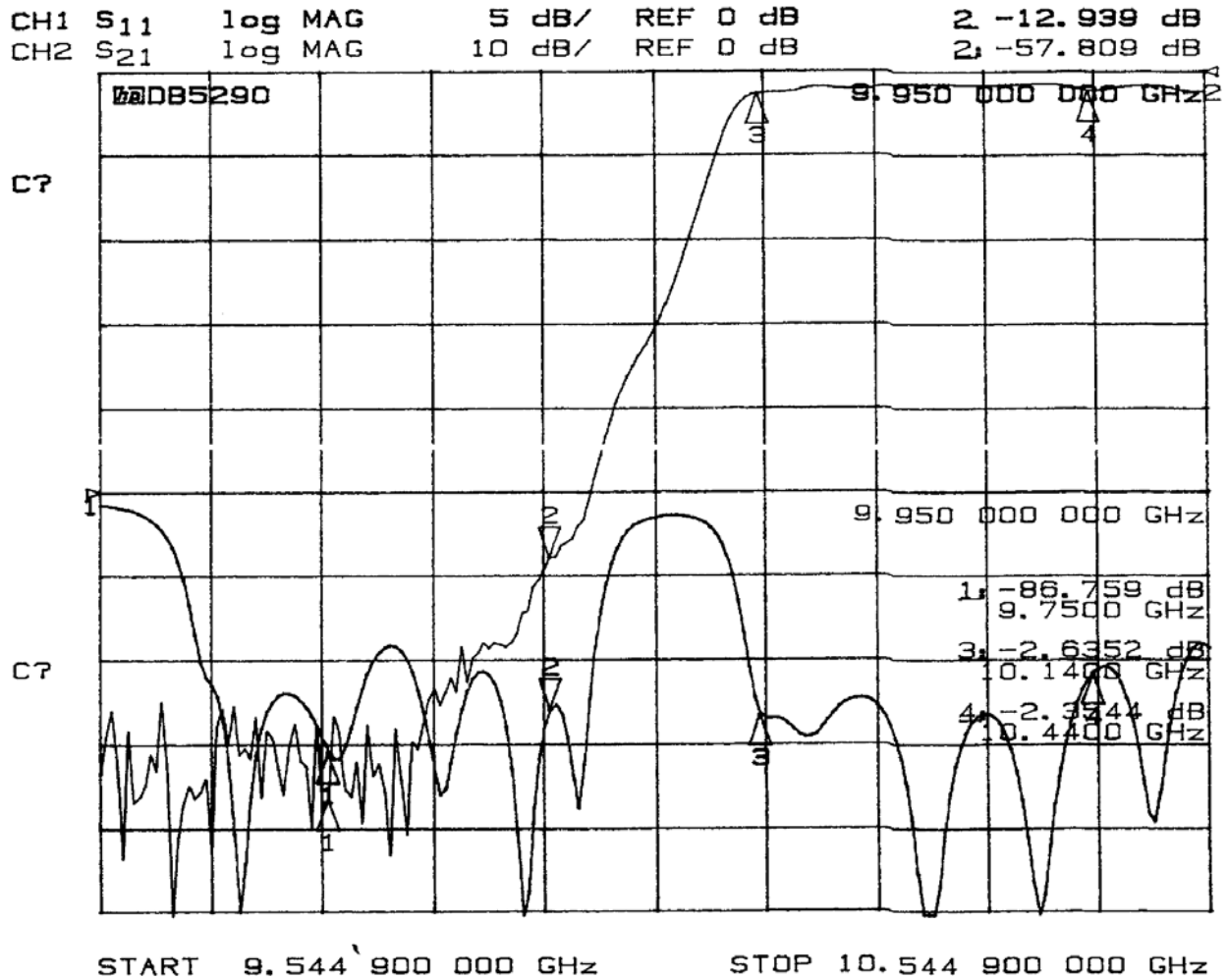
Manufacturer of RF & Microwave Products



9.75-9.95 GHz / 10.14-10.44 GHz Duplexer

Part Number: AE9850-10290DB5290

### Response Plots:





# ANATECH ELECTRONICS, INC.

Manufacturer of RF & Microwave Products



9.75-9.95 GHz / 10.14-10.44 GHz Duplexer

Part Number: AE9850-10290DB5290

### Response Plots:

