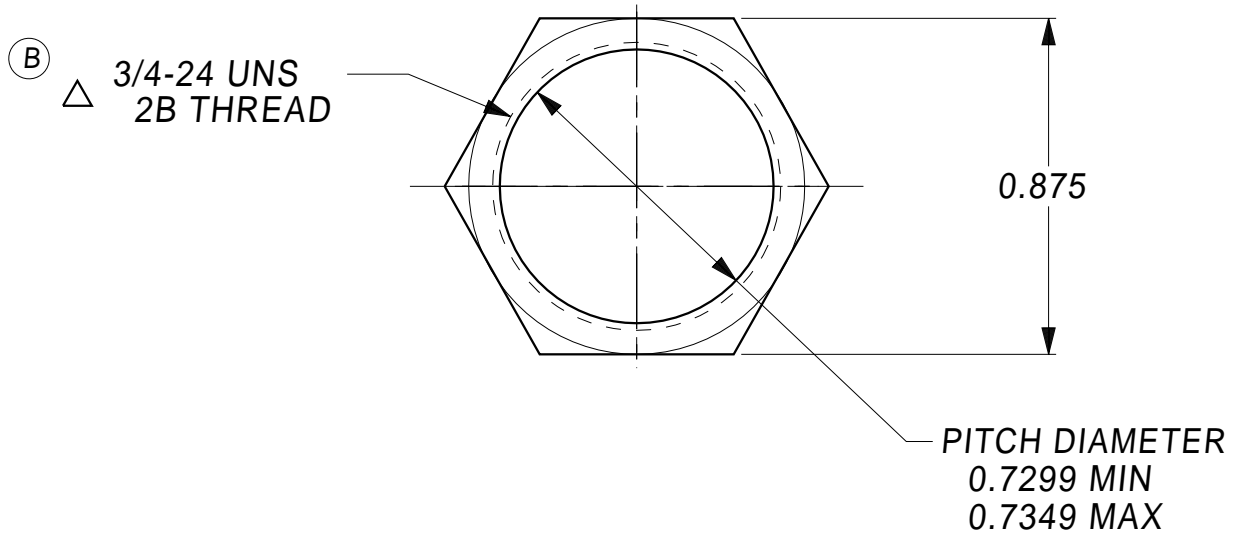
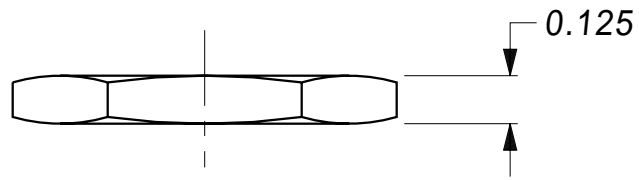


ALL DIMS. AND TOLS. PER ANSI Y14.5	NAME	G. BOGUE	DATE	1/13/06	937C	REV	B
	SCALE	2:1	APPR.			SHEET 1 OF 1	
TOLERANCES		UNLESS OTHERWISE SPECIFIED DIMENSIONS ARE IN INCHES		<h1>MOUNTING NUT</h1> <h2>CAST ZINC / OVERSIZED</h2> <h3>Y SERIES</h3>			
DECIMAL	ANGLE	THIS DOCUMENT AND THE INFORMATION IN IT IS THE EXCLUSIVE PROPERTY OF C&K COMPONENTS, INC., AND IS NOT TO BE USED OR DISCLOSED WITHOUT THE EXPRESS WRITTEN PERMISSION OF C&K COMPONENTS, INC.					
.XX±	.XXX±	±					
<input checked="" type="checkbox"/> CRITICAL - MUST COMPLY WITH C&K QUALIFICATION STD. CKQI0019							
<input type="checkbox"/> MAJOR DIMENSION							

CAD FILE NO.: 937C



NOTES:

1. MATERIAL: ZINC, ZAMAC 3
2. SUPPLIER PART NUMBER: 300678-3000-00
3. THIS PART IS RoHS COMPLIANT AND MEETS ALL REQUIREMENTS OF RoHS DIRECTIVE 2002/95/EC.

ECN	SYM	DESCRIPTION	DATE	ECN	SYM	DESCRIPTION	DATE
16500	A	RELEASED TO PRODUCTION.	1/13/06				
18026	B	ADDED MAJOR SYMBOL.	GTB 10/29/07				
			(GTB)				

937C

SHEET 1 OF 1

REV
B