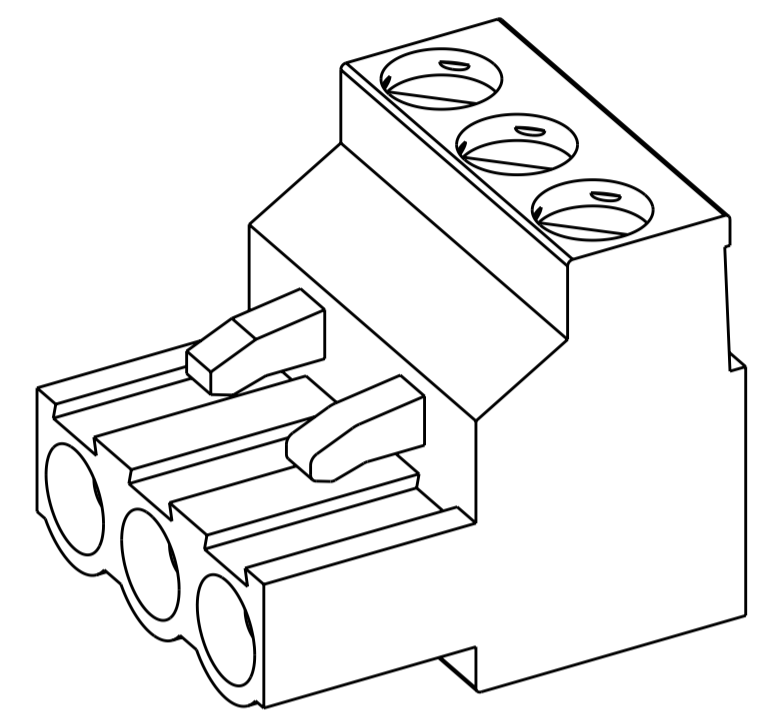
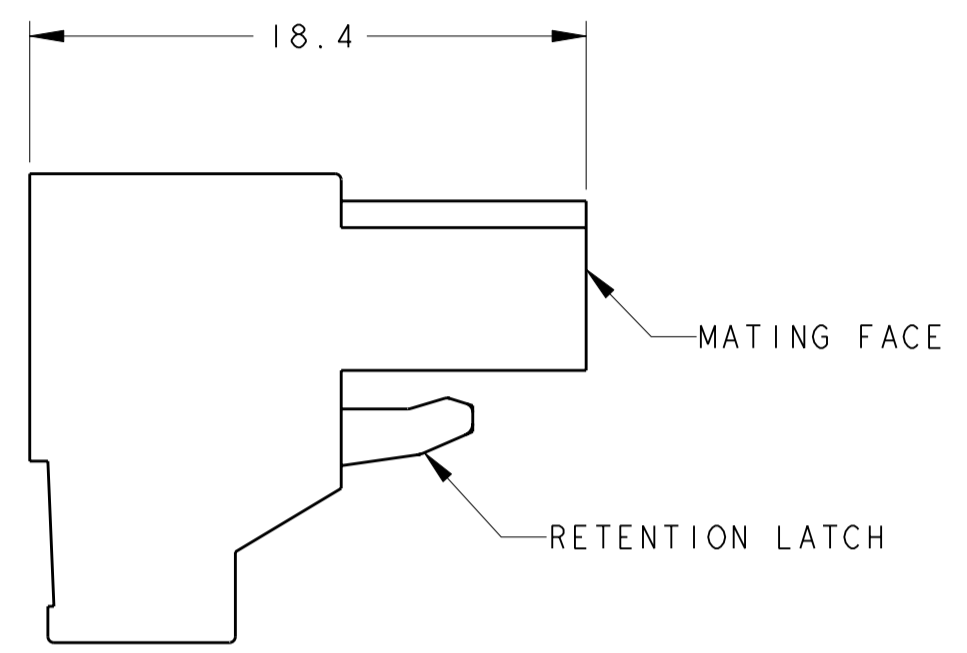
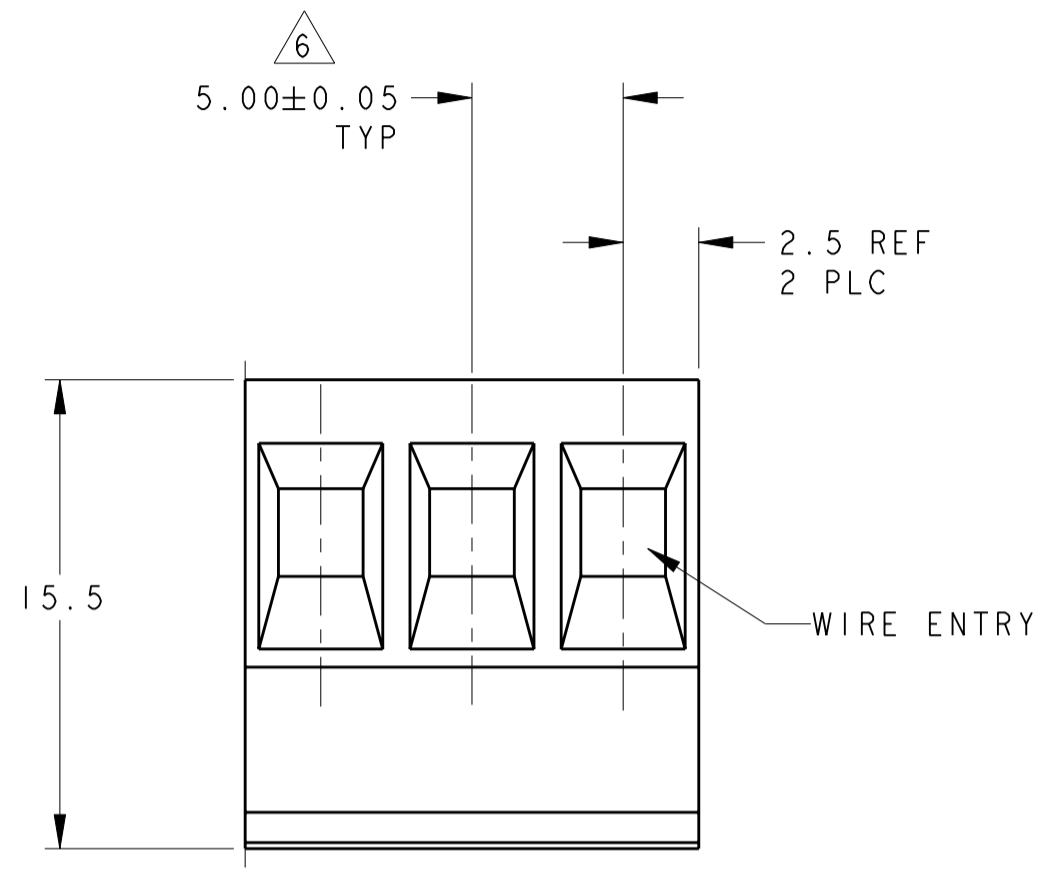
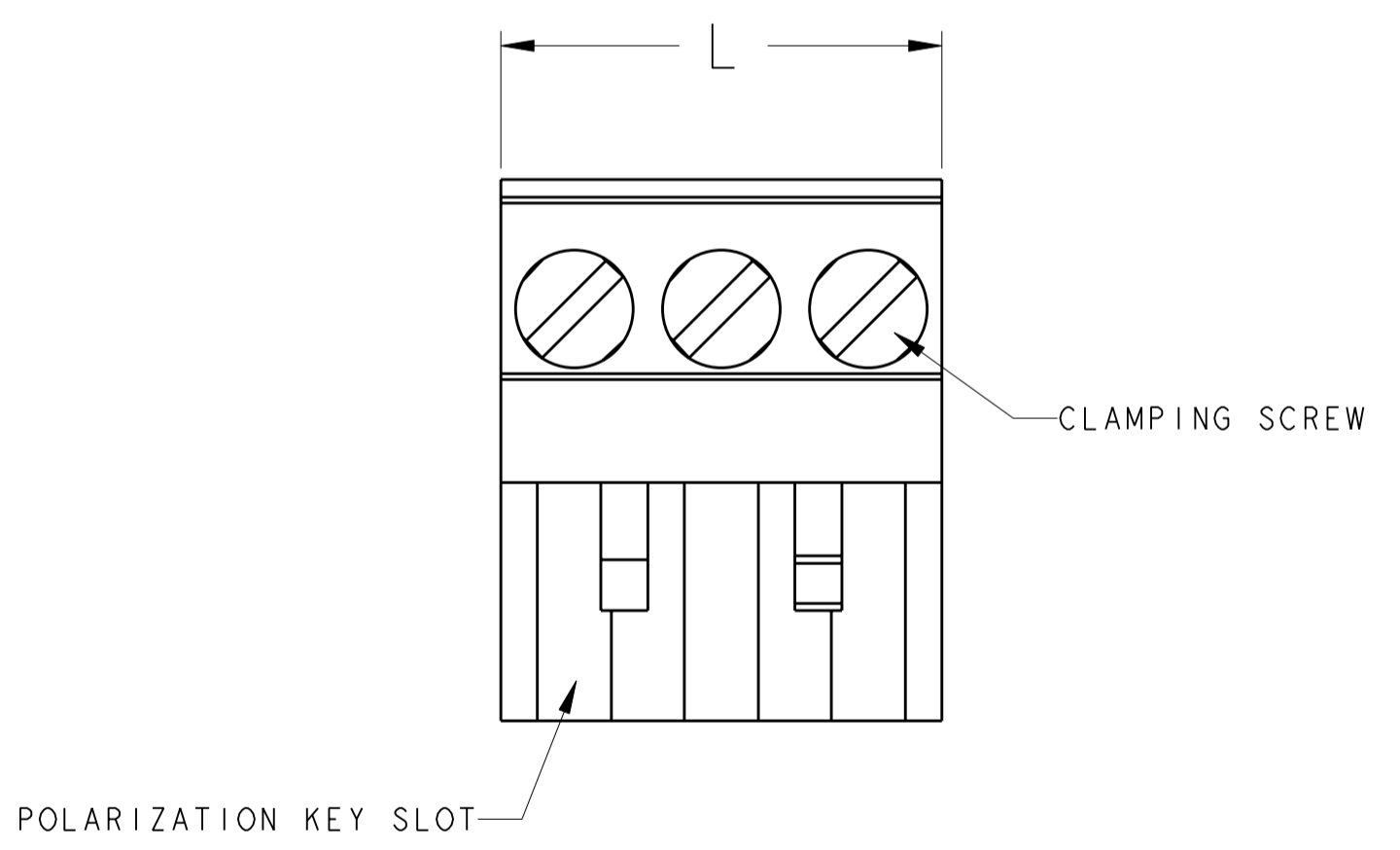


THIS DRAWING IS UNPUBLISHED. RELEASED FOR PUBLICATION 20  
 © COPYRIGHT 20 BY ALL RIGHTS RESERVED.

LOC		DIST		REVISIONS			
P	LTR	DESCRIPTION	DATE	DWN	APVD		
FT	0	A2	REVISÉ PER ECO-11-005027	17MAR2011	RK	HMR	



796696-3 AS SHOWN



1 MATERIALS AND FINISH:  
 HOUSING: PA 6-6, UL 94-V0, COLOR: BLUE.  
 CLAMP: BRASS, NICKEL PLATED.  
 DOUBLE SIDE CONTACT SPRING: PHOSPHOR BRONZE, TIN PLATED.  
 CLAMPING SCREW: M3, BRASS, NICKEL PLATED.

2. END-TO-END STACKABLE WITHOUT LOSS OF CENTERLINE SPACING.
3. WIRE SIZE RANGE: 12-30 AWG.
4. RECOGNIZED UNDER THE COMPONENT PROGRAM OF UNDERWRITERS LABORATORIES INC. FILE N° E60677.
5. IMQ CERTIFICATE WITH SURVEILLANCE IN CONFORMITY WITH IEC 998-1/998-2-1.

6 NOT CUMULATIVE TOLERANCE

125.0	25	2-796696-5
120.0	24	2-796696-4
115.0	23	2-796696-3
110.0	22	2-796696-2
105.0	21	2-796696-1
100.0	20	2-796696-0
95.0	19	1-796696-9
90.0	18	1-796696-8
85.0	17	1-796696-7
80.0	16	1-796696-6
75.0	15	1-796696-5
70.0	14	1-796696-4
65.0	13	1-796696-3
60.0	12	1-796696-2
55.0	11	1-796696-1
50.0	10	1-796696-0
45.0	9	796696-9
40.0	8	796696-8
35.0	7	796696-7
30.0	6	796696-6
25.0	5	796696-5
20.0	4	796696-4
15.0	3	796696-3
10.0	2	796696-2
DIM L	NO OF POSN	PART NUMBER

THIS DRAWING IS A CONTROLLED DOCUMENT.		DWN S.WELDON 05FEB2001	TE Connectivity TERMINAL BLOCK, PLUG, STACKING, 5.00mm PITCH	
DIMENSIONS: mm		CHK D.BIEVENOUR 05FEB2001		
TOLERANCES UNLESS OTHERWISE SPECIFIED:		APVD D.BIEVENOUR 05FEB2001		
0 PLC ± 1 PLC ±0.2 2 PLC ± 3 PLC ± 4 PLC ± ANGLES ± FINISH		PRODUCT SPEC -		
MATERIAL		APPLICATION SPEC -	SIZE A2	CAGE CODE 00779
		WEIGHT -	DRAWING NO C-796696	RESTRICTED TO -
CUSTOMER DRAWING			SCALE 4:1	SHEET 1 OF 1 REV A2