

PRODUCT NUMBER

6 4 9 9 1 - X X X - X X X X X LF

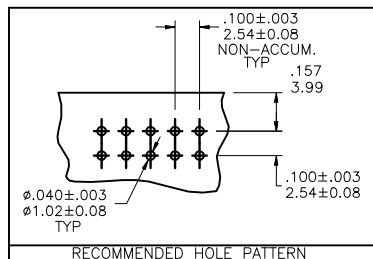
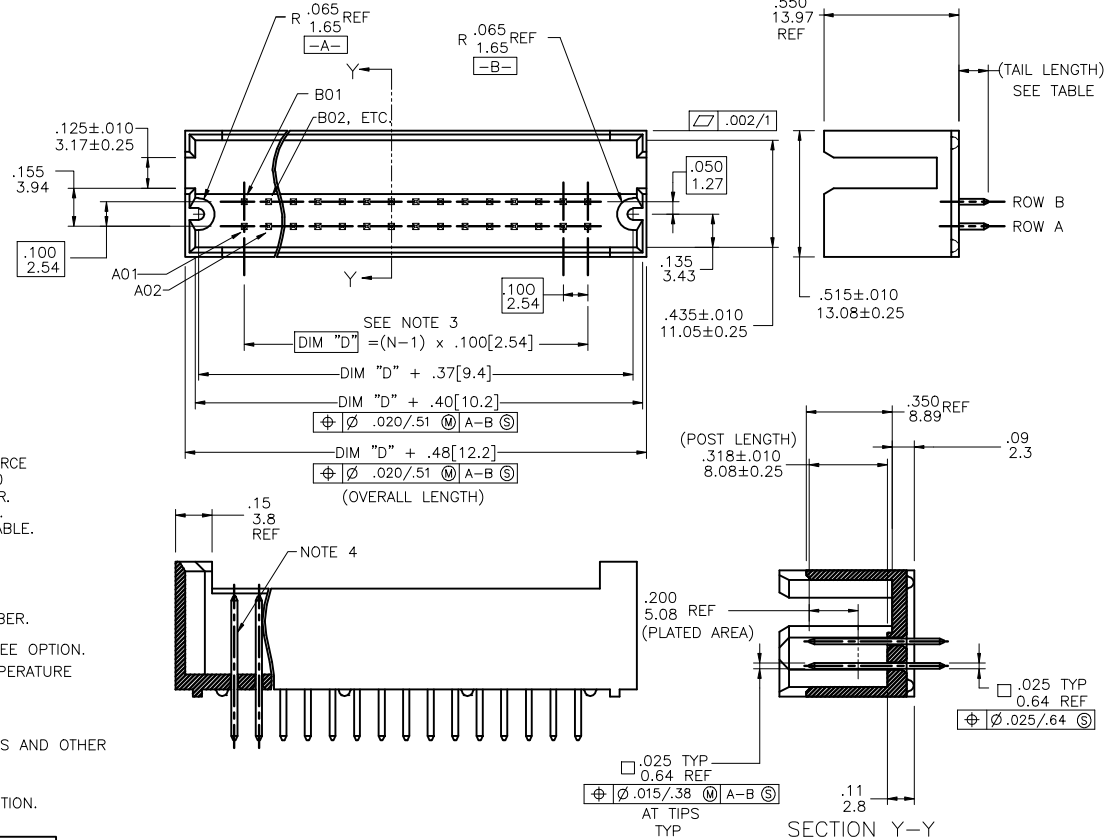
PLATING  
NOTE 12

S=15μ" [0.38μm] GOLD/GXT  
ON CONTACT AREA  
100μ" [2.54μm] PURE TIN  
ON TAIL  
G=30μ" [0.76μm] GOLD/GXT  
ON CONTACT AREA  
100μ" [2.54μm] PURE TIN  
ON TAIL

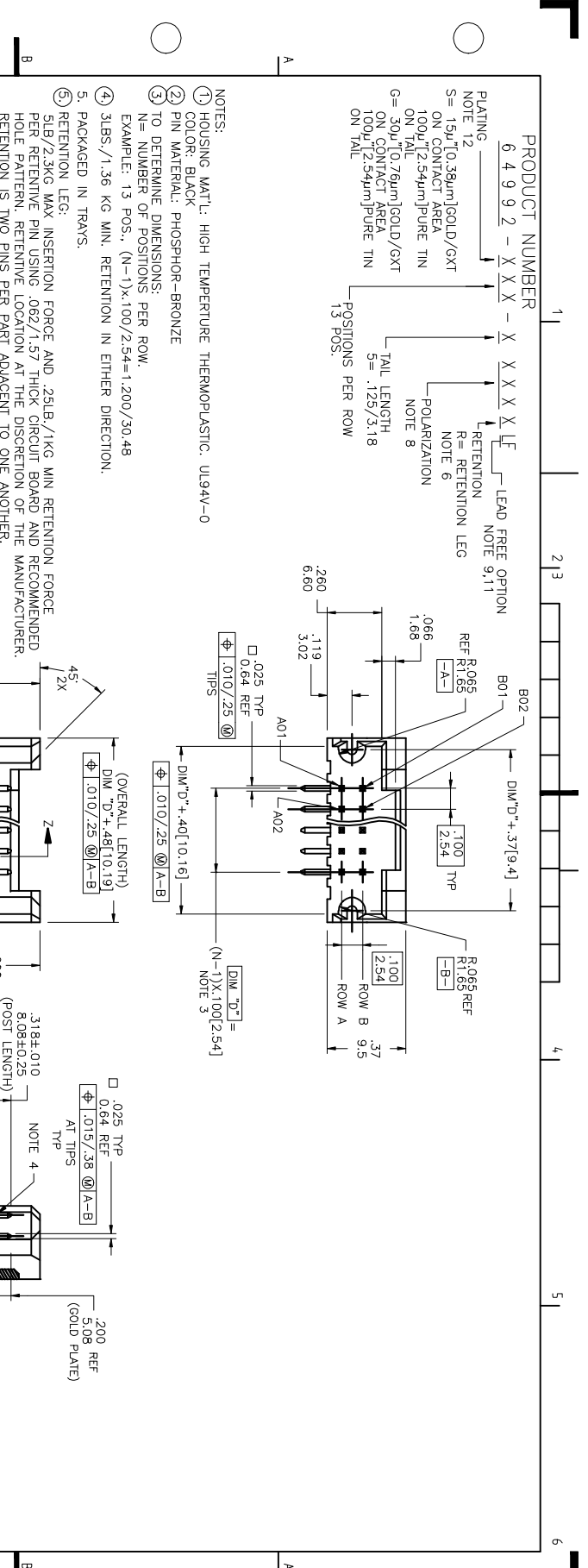
STYLE	TAIL LENGTH
3	.090/2.29
4	.120/3.05

POSITIONS PER ROW  
05 TO 50

- ① HOUSING MAT'L: HIGH TEMPERATURE THERMOPLASTIC. UL94V-0  
COLOR: NATURAL
- ② PIN MATERIAL: PHOSPHOR-BRONZE
- ③ TO DETERMINE DIMENSION  
N= NUMBER OF POSITIONS PER ROW  
EXAMPLE: 10 POS., (N-1) X .100/2.54=.900/22.87
- ④ 3LBS./1.36 KG MIN. RETENTION IN EITHER DIRECTION.
5. PACKAGED IN TRAYS.
- ⑥ RETENTIVE LEG:  
5LB/2.3KG MAX INSERTION FORCE AND .25LB./1KG MIN RETENTION FORCE  
PER RETENTIVE PIN USING .062/1.57 THICK CIRCUIT BOARD AND RECOMMENDED  
HOLE PATTERN. RETENTIVE LOCATION AT THE DISCRETION OF THE MANUFACTURER.  
RETENTION IS TWO PINS PER PART ADJACENT TO ONE ANOTHER.  
OMIT FROM PRODUCT NUMBER IF THIS FEATURE IS NOT APPLICABLE.
7. UNDER PLATING 50μ"/1.27μm Ni.
- ⑧ FOR POLARIZATION SPECIFY POSITION NUMBER  
(e.i., A03=ROW A POS. 3) TO OMIT PIN  
IF FEATURE IS NOT APPLICABLE, REMOVE FROM PRODUCT NUMBER.
- ⑨ ADD "LF" SUFFIX AT THE END OF PART NUMBER FOR LEAD FREE OPTION.
10. THE HOUSING WILL WITHSTAND EXPOSURE TO 260°C PEAK TEMPERATURE  
FOR 15 SECONDS IN A WAVE SOLDER APPLICATION WITH A 1.5mm  
MINIMUM THICK CIRCUIT BOARD. SEE APPLICATION NOTES/PROCEDURES  
IF THEY ARE AVAILABLE.
- ⑪ IF "LF" P/N THE PRODUCT MEETS EUROPEAN UNION DIRECTIVES AND OTHER  
COUNTRY REGULATION AS DESCRIBED IN GS-22-008.
- ⑫ PLATING OPTIONS:  
MAY BE EITHER GOLD OR GXT PLATED AT MANUFACTURER'S OPTION.



mat'l. code		surface		tolerance		projection		product family	
NOTES 1 & 2		ISO 1302		ISO 406		ISO 1101		HEADER	
lir	ecn no	dr	date	tolerances unless otherwise specified		INCH/MM		title	
A	V92814	DAI	8/24/99	.XX±.01/.XX±0.3		scale 1:1		.100/2.54cc GUIDE PIN (SLOTTED)	
B	V11526	DAI	5/21/01	.XXX±.005/.XXX±0.13				SHROUDED VERTICAL HEADER	
C	V212895	TAB	1/09/03	.XXXX±.0020/.XXXX±0.05				dwg no	
D	M05-0089	MHT	5/20/05	dr		D. INGRAM		6/02/99	
E	M07-0116	AGS	2/19/07	engr		H. SUNDY		7/21/99	
F	M09-0059	MHT	4/16/09	chr		H. SUNDY		7/21/99	
G	M09-0154	MHT	9/10/09	appd		H. SUNDY		7/21/99	
sheet	revision	G						sheet 1 of 1 size	
index	sheet	1						64991 A3	
								type Product Customer Drawing	



PRODUCT NUMBER  
6 4 9 9 2 - X X X - X X X X X L F

LEAD FREE OPTION  
NOTE 9,11

RETENTION LEG  
NOTE 6

POLARIZATION  
NOTE 8

TAIL LENGTH  
5 = .125/3.18

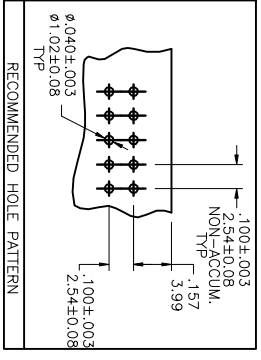
POSITIONS PER ROW  
13 POS.

PLATING  
NOTE 12

S = 15u"10.39um[GOLD]/GXT  
ON CONTACT AREA  
100u"12.54um[PURE TIN  
ON TAIL

G = 30u"10.76um[GOLD]/GXT  
ON CONTACT AREA  
100u"12.54um[PURE TIN  
ON TAIL

- NOTES:
- HOUSING MAT'L: HIGH TEMPERATURE THERMOPLASTIC. UL94V-0
  - COLOR: BLACK
  - PIN MATERIAL: PHOSPHOR-BRONZE
  - TO DETERMINE DIMENSIONS:  
N = NUMBER OF POSITIONS PER ROW.  
EXAMPLE: 13 POS., (N-1)X.100/2.54=1.200/30.48
  - 3LBS./1.36 KG MIN. RETENTION IN EITHER DIRECTION.
  - PACKAGED IN TRAYS.
  - RETENTION LEG:  
5LB/2.3KG MAX INSERTION FORCE AND .25LB/1KG MIN RETENTION FORCE PER RETENIVE PIN USING .062/1.57 THICK CIRCUIT BOARD AND RECOMMENDED HOLE PATTERN. RETENTIVE LOCATION AT THE DISCRETION OF THE MANUFACTURER. RETENTION IS TWO PINS PER PART ADJACENT TO ONE ANOTHER. IF FEATURE IS NOT APPLICABLE, REMOVE FROM PRODUCT NUMBER.
  - UNDER PLATING: .050u"/1.2um Ni.
  - FOR POLARIZATION SPECIFY POSITION NUMBER (i.e.. A03=ROW A POS. 3) TO OMIT PIN.  
IF FEATURE IS NOT APPLICABLE, REMOVE FROM PRODUCT NUMBER.
  - ADD "L" SUFFIX AT THE END OF PART NUMBER FOR LEAD FREE OPTION.
  - THE HOUSING WILL WITHSTAND EXPOSURE TO 260°C PEAK TEMPERATURE FOR 15 SECONDS IN A WAVE SOLDER APPLICATION WITH A 1.5mm MINIMUM THICK CIRCUIT BOARD. SEE APPLICATION NOTES/PROCEDURES IF THEY ARE AVAILABLE.
  - THIS PRODUCT MEETS EUROPEAN UNION DIRECTIVES AND OTHER COUNTRY REGULATION AS DESCRIBED IN GS-22-008.
  - PLATING OPTIONS:  
MAY BE EITHER GOLD OR GXT PLATED AT MANUFACTURER'S OPTION.



mat'l. code	part no.	date	surface	tolerance	projection	product family	sheet	1 of 1	Size
	64992		ISO 1902	ISO 406		HEADER	1	1	A3

lit	ECN no.	date	surface	tolerance	projection	product family	sheet	1 of 1	Size
C	405-0224	10/26/09	ISO 1902	ISO 406		HEADER	1	1	A3
D	W07-0116	ASG 2/19/07	ISO 1902	ISO 406		HEADER	1	1	A3
E	W07-0248	MHT 5/30/07	ISO 1902	ISO 406		HEADER	1	1	A3
F	M09-0099	MHT 4/16/09	ISO 1902	ISO 406		HEADER	1	1	A3
G	M09-0099	MHT 7/06/09	ISO 1902	ISO 406		HEADER	1	1	A3
H	M09-0136	MHT 9/03/09	ISO 1902	ISO 406		HEADER	1	1	A3
J	M09-0154	MHT 9/10/09	ISO 1902	ISO 406		HEADER	1	1	A3



Copyright FCI