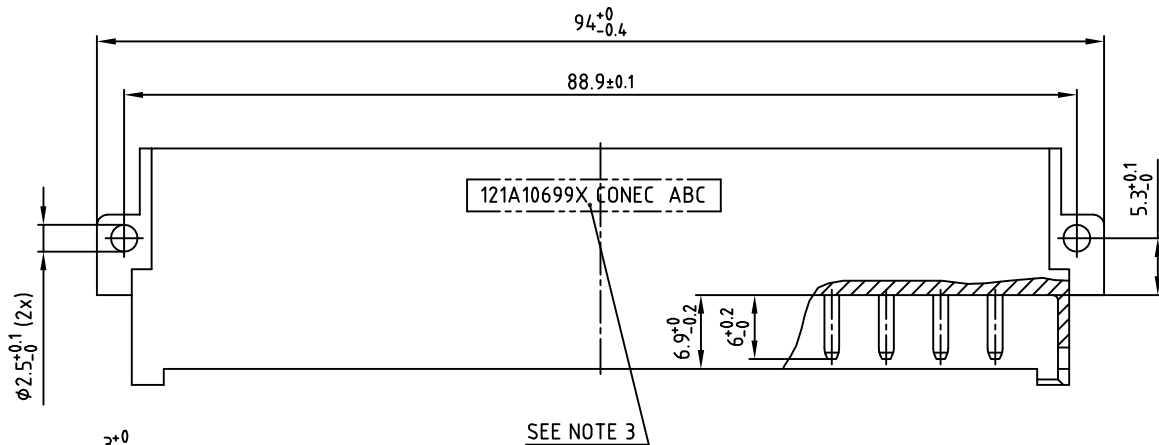
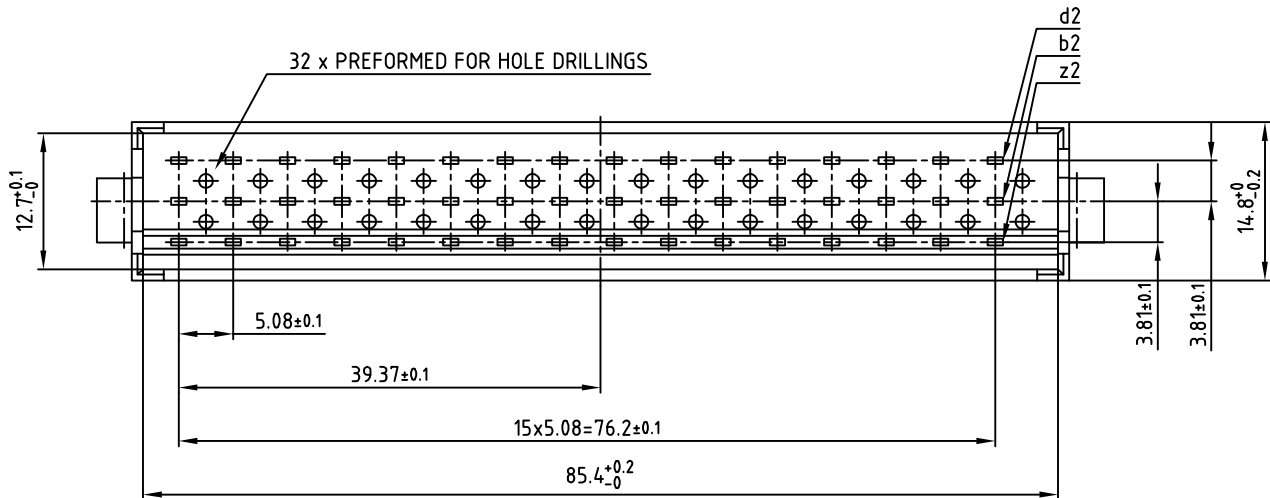
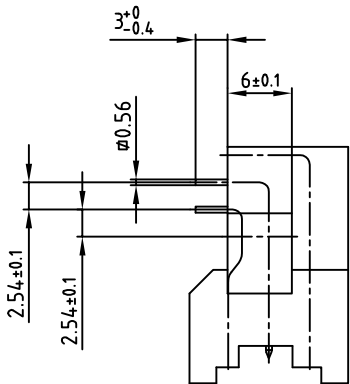


used for: DIN EN 60603-2 TYPE "F"



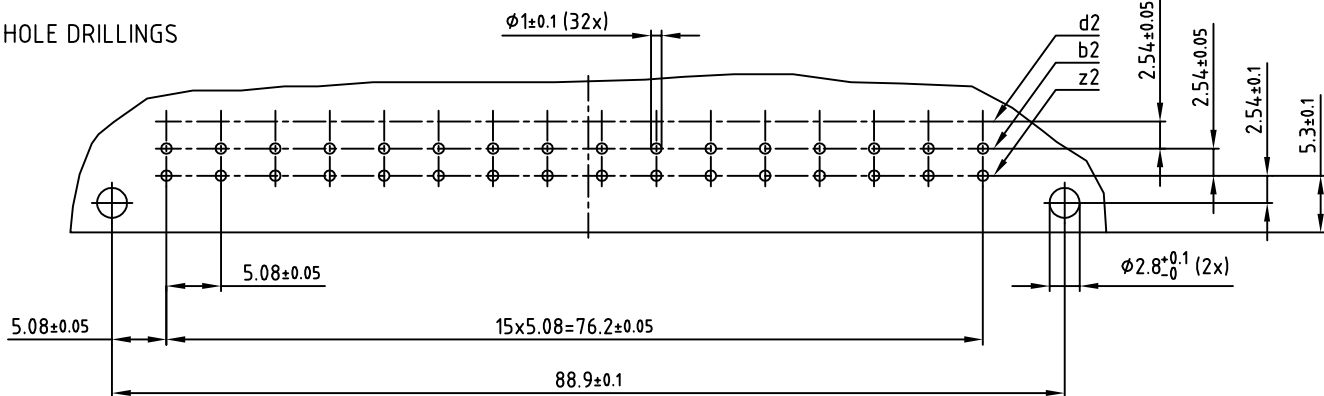
SEE NOTE 3



NOTES:

1. INSULATOR: PBT GF UL 94 V-0, GREY
2. CONTACTS: COPPER ALLOY  
PLATING: GOLD OVER NICKEL  
50 MATING CYCLES
3. CONNECTOR IS PART MARKED: 121A10699X CONEC ABC

P.C.B. HOLE DRILLINGS



APPROVAL \* FREIGABE \* DEBLOCAGE \* AUTOR/ZACION \* APPROVAL

CUSTOMER APPROVAL DATE:

NAME: TITLE:

COMPANY NAME:

APPROVAL \* FREIGABE \* DEBLOCAGE \* AUTOR/ZACION \* APPROVAL

THIS DRAWING MAY NOT BE COPIED OR REPRODUCED IN ANY WAY, AND MAY NOT BE PASSED ON TO A THIRD PARTY WITHOUT WRITTEN PERMISSION.

OWNERSHIP AND COPYRIGHT OF CONEC GmbH

DO NOT ALTER CAD DRAWING BY HAND

rev.	description	date	name
a	Origin		

tolerance		dim. in mm
2010	date	
drawn	12.08.	name
appd.	12.08.	Koch
norm	DIN EN 60603-2	
d-old		

scale: 2:1

material: SEE NOTES

title: MALE CONNECTOR TYPE "F"  
32pos. ANGLED

dwg no: AutoCAD 2006 DIN-A  
12K1A686 3

part no: 121A10699X sh: 1/1

