



FCIconnect.com

Copyright FCI.

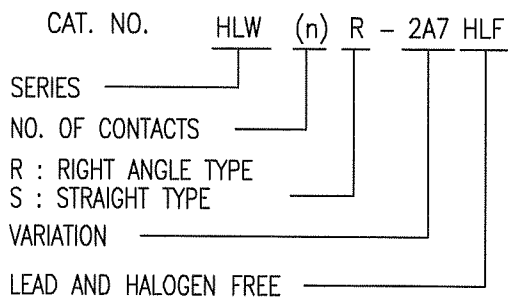
CONFIGURATION OF CUSTOMER DOCUMENTS

P/N	DOCUMENTS	DWG. NO.	TITLE
HLW__R/S-2A7HLF	SPEC	GS-12-680	CONNECTOR USED FOR FPC/FFC WITH 1mm CONTACT SPACING
	CONNECTOR	10039761 Sheet2	CAT NO.TABLE FOR 1mm SPACING CONNECTOR
		10039761 Sheet3	1mm SPACING CONNECTOR FOR FPC/FFC
	CABLE	10039761 Sheet4	1mm SPACING CONNECTOR FOR FPC/FFC
		10039761 Sheet5	RECOMMENDED CABLE(FPC)
		10039761 Sheet6	RECOMMENDED CABLE(FFC)
MANUAL	BJM-HLW101	HANDLING PROCEDURES AND REMARKS	

mat'l. code				surface ISO 1302 <input checked="" type="checkbox"/> 58 / tolerance ISO 406 ISO 1101		projection		product family 58PF/QF		CODE JP			
ltr A		ecn no J10-0334		dr S.W		date 2010-11-16		title 1mm SPACING CONNECTOR DOCUMENT LIST (Cat. No. HLW__R/S-2A7HLF)		sheet 1 of 6			
				angles linear		mm		dwg no 10039761		size A4			
				dr <i>S. W. Wilson</i> 2010-11-16		FCI		type Product Customer Drawing		Rev. A			
				enr <i>S. W. Wilson</i> 2010-11-16									
				chr <i>S. W. Wilson</i> 2010-11-16									
sheet index		revision sheet		A 1		A 2		A 3		A 4			
				A 5		A 6							

CAT. NO. & DIMENSIONS

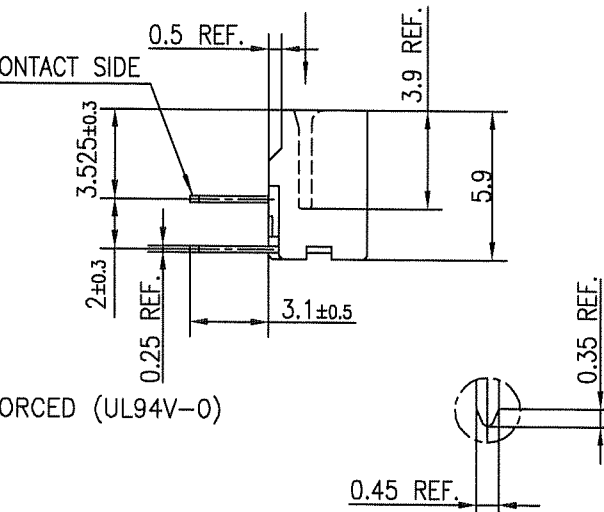
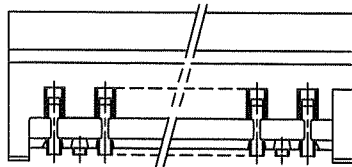
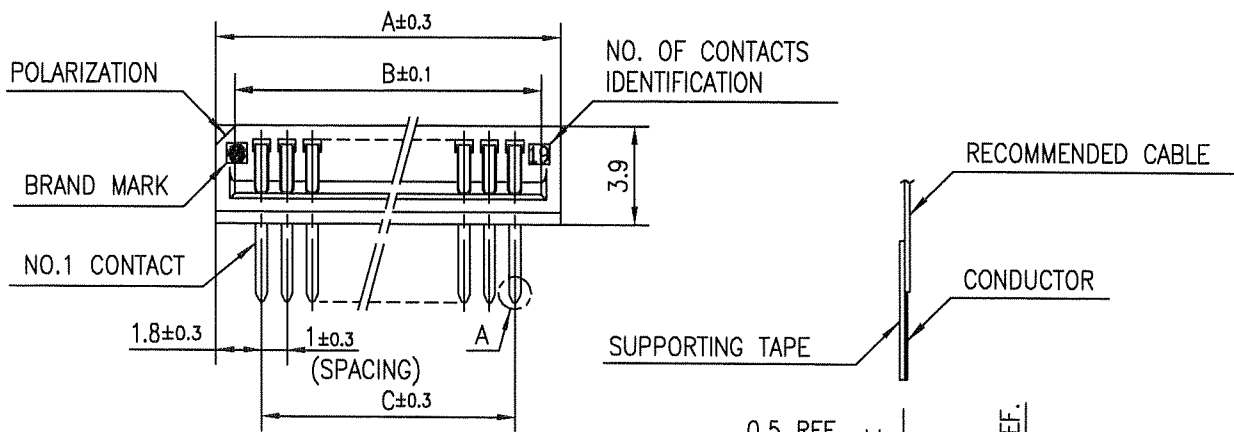
NO. OF CONTACTS (n)	CAT. NO.		DIMENSIONS (NOTE1)		
	RIGHT ANGLE TYPE	STRAIGHT TYPE	A ± 0.3	B ± 0.1	C ± 0.3
4	HLW 4 R-2A7HLF	HLW 4 S-2A7HLF	6.6	5.12	3.0
5	HLW 5 R-2A7HLF	HLW 5 S-2A7HLF	7.6	6.12	4.0
6	HLW 6 R-2A7HLF	HLW 6 S-2A7HLF	8.6	7.12	5.0
7	HLW 7 R-2A7HLF	HLW 7 S-2A7HLF	9.6	8.12	6.0
8	HLW 8 R-2A7HLF	HLW 8 S-2A7HLF	10.6	9.12	7.0
9	HLW 9 R-2A7HLF	HLW 9 S-2A7HLF	11.6	10.12	8.0
10	HLW 10 R-2A7HLF	HLW 10 S-2A7HLF	12.6	11.12	9.0
11	HLW 11 R-2A7HLF	HLW 11 S-2A7HLF	13.6	12.12	10.0
12	HLW 12 R-2A7HLF	HLW 12 S-2A7HLF	14.6	13.12	11.0
13	HLW 13 R-2A7HLF	HLW 13 S-2A7HLF	15.6	14.12	12.0
14	HLW 14 R-2A7HLF	HLW 14 S-2A7HLF	16.6	15.12	13.0
15	HLW 15 R-2A7HLF	HLW 15 S-2A7HLF	17.6	16.12	14.0
16	HLW 16 R-2A7HLF	HLW 16 S-2A7HLF	18.6	17.12	15.0
17	HLW 17 R-2A7HLF	HLW 17 S-2A7HLF	19.6	18.12	16.0
18	HLW 18 R-2A7HLF	HLW 18 S-2A7HLF	20.6	19.12	17.0
19	HLW 19 R-2A7HLF	HLW 19 S-2A7HLF	21.6	20.12	18.0
20	HLW 20 R-2A7HLF	HLW 20 S-2A7HLF	22.6	21.12	19.0
21	HLW 21 R-2A7HLF	HLW 21 S-2A7HLF	23.6	22.12	20.0
22	HLW 22 R-2A7HLF	HLW 22 S-2A7HLF	24.6	23.12	21.0
23	HLW 23 R-2A7HLF	HLW 23 S-2A7HLF	25.6	24.12	22.0
24	HLW 24 R-2A7HLF	HLW 24 S-2A7HLF	26.6	25.12	23.0
25	HLW 25 R-2A7HLF	HLW 25 S-2A7HLF	27.6	26.12	24.0
26	HLW 26 R-2A7HLF	HLW 26 S-2A7HLF	28.6	27.12	25.0
27	HLW 27 R-2A7HLF	HLW 27 S-2A7HLF	29.6	28.12	26.0
28	HLW 28 R-2A7HLF	HLW 28 S-2A7HLF	30.6	29.12	27.0
29	HLW 29 R-2A7HLF	HLW 29 S-2A7HLF	31.6	30.12	28.0
30	HLW 30 R-2A7HLF	HLW 30 S-2A7HLF	32.6	31.12	29.0
31	HLW 31 R-2A7HLF	HLW 31 S-2A7HLF	33.6	32.12	30.0
32	HLW 32 R-2A7HLF	HLW 32 S-2A7HLF	34.6	33.12	31.0



NOTES

1. SEE PART DRAWINGS FOR DIMENSIONS A~C.

mat'l. code				surface 58 / ISO 1302	tolerance ISO 406 / ISO 1101	projection	product family 58PF/QF	CODE JP
ltr	ecn no	dr	date	tolerances unless otherwise specified		mm	title	
A				angles	linear		CAT NO. TABLE FOR 1mm SPACING CONNECTOR (Cat. No. HLW__R/S-2A7HLF)	
				dr	S. H. Chandra 2010-11-16		dwg no	sheet 2 of 6 size
				engr	B. K. Chandra 2010-11-16		10039761	A4
				chr	X. Ramana 2010-11-16		type Product Customer Drawing	
				appd	M. G. R. 11/16/10			
sheet index	revision sheet							Rev. A



MATERIAL

INSULATOR : LCP RESIN GLASS REINFORCED (UL94V-0)
 COLOR : BLACK
 CONTACT : PHOSPHOR BRONZE
 PLATING : TIN

NOTE

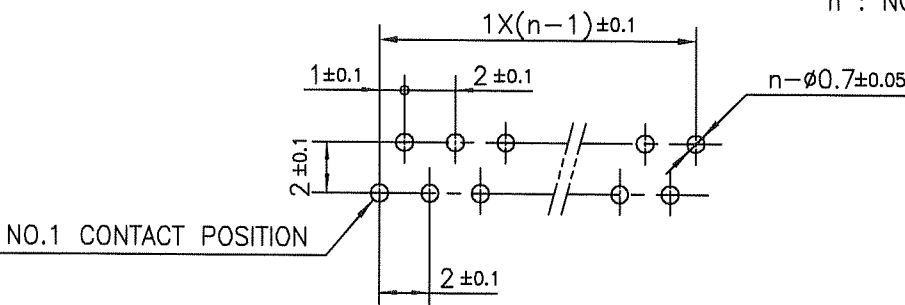
1. THIS PRODUCT IS RIGHT ANGLE TYPE CONNECTOR.
2. THIS PRODUCT MEETS EUROPEAN UNION DIRECTIVES AND OTHER COUNTRY REGULATIONS AS DESCRIBED IN GS-22-008.
3. THE HOUSING WILL WITHSTAND EXPOSURE TO 260°C PEAK TEMPERATURE FOR 10 SECONDS IN A REFLOW SOLDERING OVEN.

DETAIL A

RECOMMENDED PC BOARD

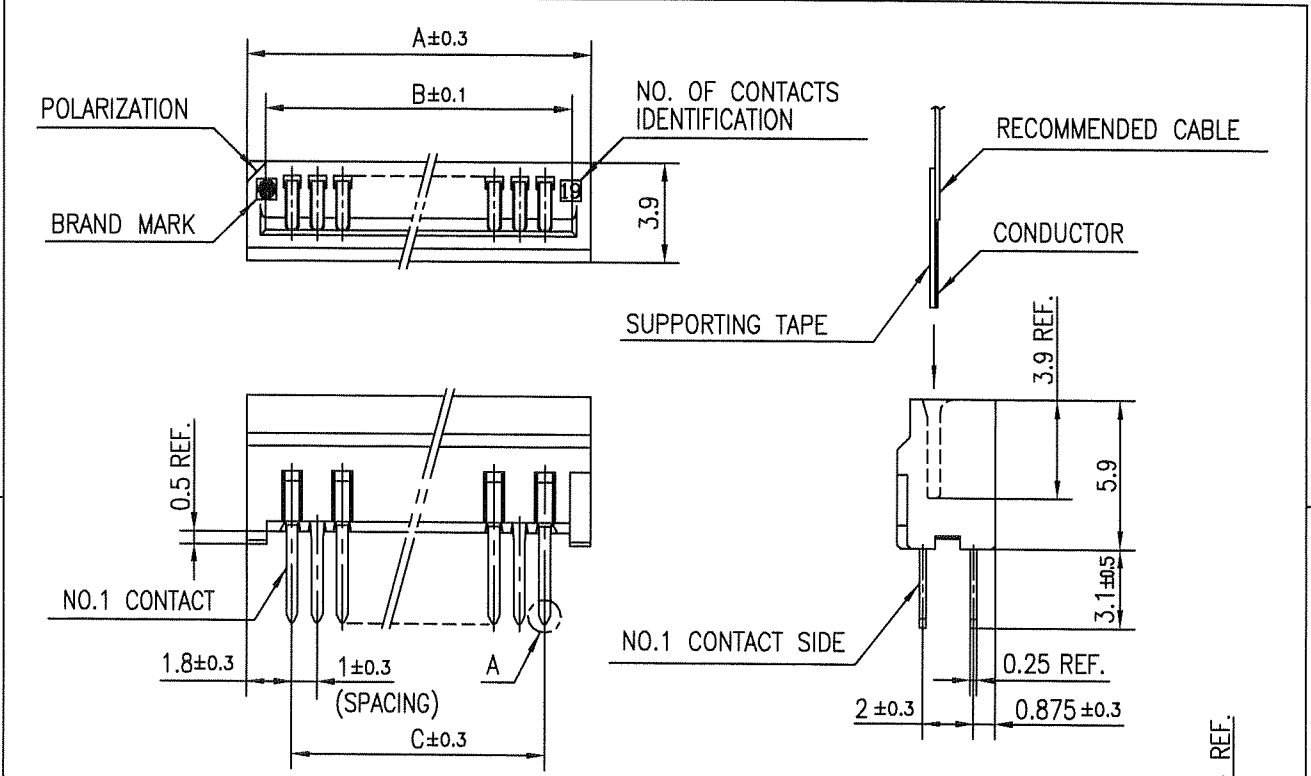
THICKNESS : 1.2~1.6
 HOLE PATTERN (COMPONENT SIDE)

n : NO. OF CONTACTS



mat'l. code				surface ISO 1302 ✓	tolerance ISO 406 ISO 1101	projection 	product family 58PF	CODE JP
ltr	ecn no	dr	date	tolerances unless otherwise specified		mm 	title 1mm SPACING CONNECTOR FOR FPC/FFC (Cat. No. HLW__R-2A7HLF)	
A				angles	linear ±0.2			
				dr	S. Watanabe	2010-11-16	dwg no	
				enrg	S. Watanabe	2010-11-16	sheet 3 of 6	
				chr	T. Yamada	2010-11-16	size	
				appd	M. Kimura	Nov 16/10	10039761	
							type	
							Product Customer Drawing	
sheet index	revision sheet							Rev. A

Copyright FCI
 FCJ
 FCconnect.com

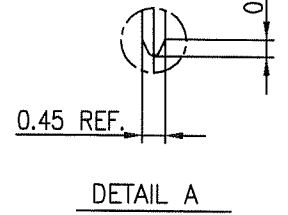


MATERIAL

INSULATOR : PBT RESIN GLASS REINFORCED (UL94V-0)
 COLOR : BLACK
 CONTACT : PHOSPHOR BRONZE
 PLATING : TIN

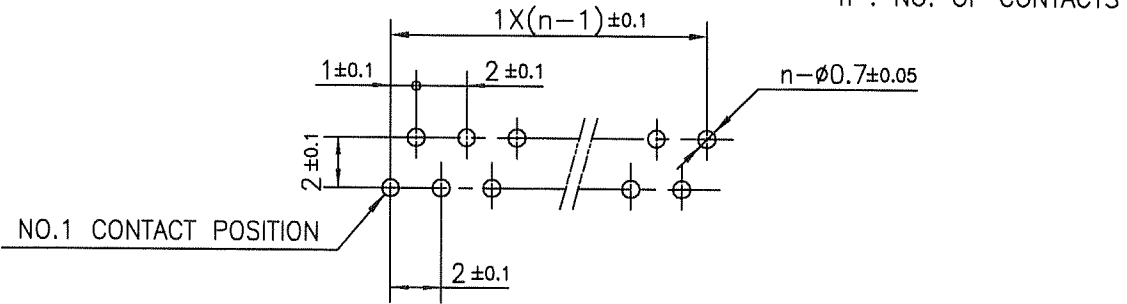
NOTE

1. THIS PRODUCT IS RIGHT ANGLE TYPE CONNECTOR.
2. THIS PRODUCT MEETS EUROPEAN UNION DIRECTIVES AND OTHER COUNTRY REGULATIONS AS DESCRIBED IN GS-22-008.
3. THE HOUSING WILL WITHSTAND EXPOSURE TO 260°C PEAK TEMPERATURE FOR 10 SECONDS IN A REFLOW SOLDERING OVEN.



RECOMMENDED PC BOARD

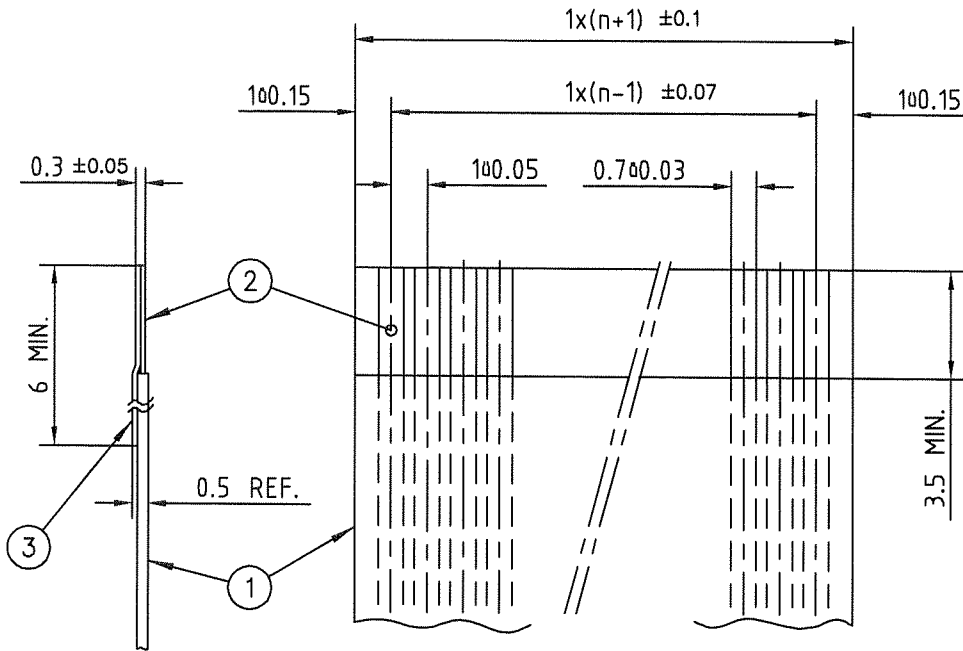
THICKNESS : 1.2~1.6
 HOLE PATTERN (COMPONENT SIDE)



mat'l. code				surface 58 / ISO 1302		tolerance ISO 406 / ISO 1101		projection		product family 58QF		CODE JP	
ltr				ecn no		dr		date		title		1mm SPACING CONNECTOR FOR FPC/FFC (Cat. No. HLW_S-2A7HLF)	
A										scale		∞	
sheet index				revision sheet		dr		engr		dwg no		sheet 4 of 6 size	
						S. Watanabe 2010-11-16		S. Watanabe 2010-11-16		10039761		A4	
						chr Y. Kamada 2010-11-16		appd [Signature]		type		Product Customer Drawing	
						NMB/RO		FCI				Rev. A	

RECOMMENDED CABLE (FFC)

n : NO. OF CONDUCTORS



PT. NO.	DESCRIPTION	MATERIAL	NOTE
1	INSULATOR	FLAME RESISTING POLYESTER OR EQUIVALENT	_____
2	CONDUCTOR	COPPER FOIL	PLATING : TIN OR SOLDER 1 ^m MIN.
3	SUPPORTING TAPE	FLAME RESISTING POLYESTER OR EQUIVALENT	_____

NOTES

1. NO BURR AT EACH PORTION.
2. NO PEELING IN COMMON USE.

mat'l. code				surface 58 / tolerance ISO 1302 / ISO 406 / ISO 1101		projection		product family 58PF/QF		CODE JP	
ltr ecn no dr date				tolerances unless otherwise specified		mm		title			
A				angles linear		mm		RECOMMENDED CABLE (FFC) (Cat. No. HLW__R/S-__HLF)			
				dr		scale X		dwg no		sheet 6 of 6 size	
				enr		FCI		10039761		A4	
				chr				type Product Customer Drawing			
				appd							
sheet index		revision sheet								Rev. A	