

ITEM	PART#	DESCRIPTION	QTY	UOM
A	2059792051	M-ONE 2.0 RECHSG 5CKT BK	1	PC
B	561349001	2.0 WTB CONN CRIMP REC AWG#22-#24 CHAIN	5	PC
C	--	PAPER PRINTED PAPER WHITE	1	PC

FROM	TO	DESCRIPTION	COLOR
A1	--	1X22AWG DISC PVC BK UL1569 HOOKUP	BLACK
A2	--	1X22AWG DISC PVC BK UL1569 HOOKUP	BLACK
A3	--	1X22AWG DISC PVC BK UL1569 HOOKUP	BLACK
A4	--	1X22AWG DISC PVC BK UL1569 HOOKUP	BLACK
A5	--	1X22AWG DISC PVC BK UL1569 HOOKUP	BLACK

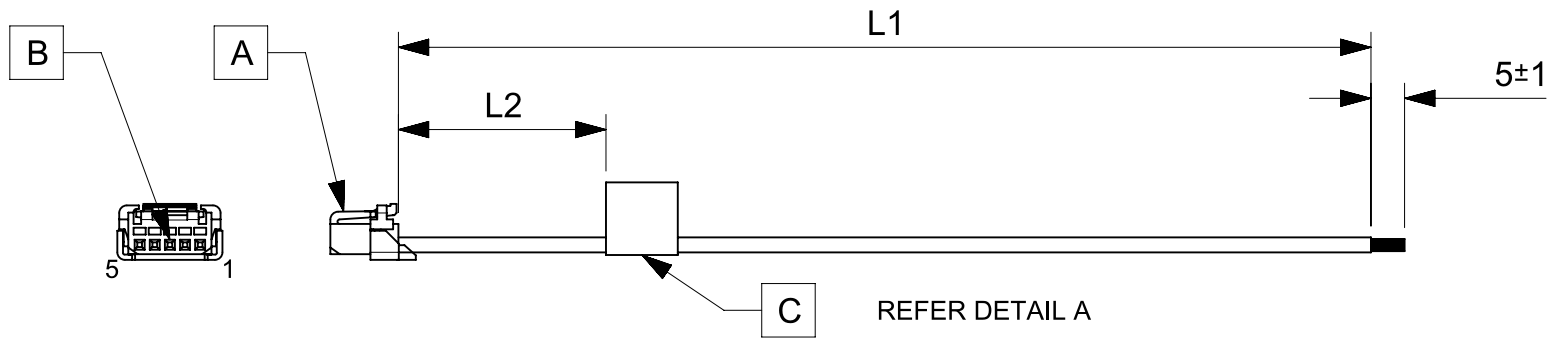


TABLE			
PART NUMBER	L1	L2 (REF)	TITLE
2196531050	50±3	15	Micro-One ISL R-S 5ckt 50mm disc Sn
2196531051	100±3	15	Micro-One ISL R-S 5ckt 100mm disc Sn
2196531052	150±4	15	Micro-One ISL R-S 5ckt 150mm disc Sn
2196531053	300±4	15	Micro-One ISL R-S 5ckt 300mm disc Sn
2196531054	600±6	15	Micro-One ISL R-S 5ckt 600mm disc Sn

NOTES

1. Connector view shown is from mating side.
2. Label text must be 2mm max. in height with Arial font.
3. Label must be wrapped in Flag type on a single cable.
4. Free ends must be stripped, twisted & tinned. The length of tinning is 5±1mm. Tinning Dia must be 0.9 mm Max.

MOLEX P/N
MOLEX
BATCH WK/YR
DETAIL A

REVISION			
DATE	REV	DESCRIPTION	CHANGER
2021/12/27	A	INITIAL RELEASE	SAIKIG

FUNCTIONAL SYMBOLS $\frac{E}{A} = 0$ $\frac{E}{E} = 0$ $\frac{E}{P} = 0$ DIVISIONAL SYMBOLS	THIS DRAWING CONTAINS INFORMATION THAT IS PROPRIETARY TO MOLEX ELECTRONIC TECHNOLOGIES, LLC AND SHOULD NOT BE USED WITHOUT WRITTEN PERMISSION		CURRENT REV DESC:		
	DIMENSION UNITS	SCALE	GENERAL TOLERANCES (UNLESS SPECIFIED)		
	mm	NTS	ANGULAR TOL ± °		
	4 PLACES ±		3 PLACES ±		
3 PLACES ±		2 PLACES ±		EC NO: 690621	PRODUCT CUSTOMER DRAWING DOCUMENT NUMBER: 2196531050 DOC TYPE: PSD DOC PART: 000 REVISION: A
2 PLACES ±		1 PLACE ±		DRWN: SAIKIG 2021/12/25	
1 PLACE ±		0 PLACES ±		CHK'D: MNARAYAN01 2022/01/11	
DRAFT WHERE APPLICABLE MUST REMAIN WITHIN DIMENSIONS		THIRD ANGLE PROJECTION	DRAWING	SERIES	
			A4-SIZE	219653	MATERIAL NUMBER: SEE TABLE
					CUSTOMER: GENERAL MARKET
					SHEET NUMBER: 1 OF 1