



SPECIFICATION FOR APPROVAL

CUSTOMER _____

CUSTOMER PART NO. _____ - _____ REV. _____ - _____

DESCRIPTION _____ DC SOLENOID _____

DELTA PART NO. _____ **DSTL-0840 SERIES** _____ REV. _____ 02 _____

ISSUED DATE _____ MAY.19.2020 _____

APPROVED BY

PLEASE RETURN ONE COPY OF SPECIFICATION FOR APPROVAL UPON YOUR APPROVAL FOR ARRANGEMENTS PRIOR TO PRODUCTION.

APPROVED BY :

DATE :

REV.	Description	REV.	Description
00	-ISSUE SPEC. Terence.Tsai / SPE.23.2014		
01	-ADD STROKE BY mm/INCH AND FORCE BY N/LBs. Terence.Tsai / OCT.30.2015		
02	-CORRECT PVC WIRE GRADE TO UL1569. Terence.Tsai / MAY.19.2020		



台達電子工業股份有限公司
DELTA ELECTRONICS, INC.

Description:
DC SOLENOID

Part No. DSTL-0840 SERIES

REV.

USED ON
SHEET 1 OF 1

THESE DRAWINGS AND SPECIFICATIONS ARE THE PROPERTY OF DELTA ELECTRONICS, INC. AND SHALL NOT BE REPRODUCED OR USED AS THE BASIS FOR THE MANUFACTURE OR SELL OF APPARATUSES OR DEVICES WITHOUT PERMISSION.

SOLENOID PRODUCT SPECIFICATION

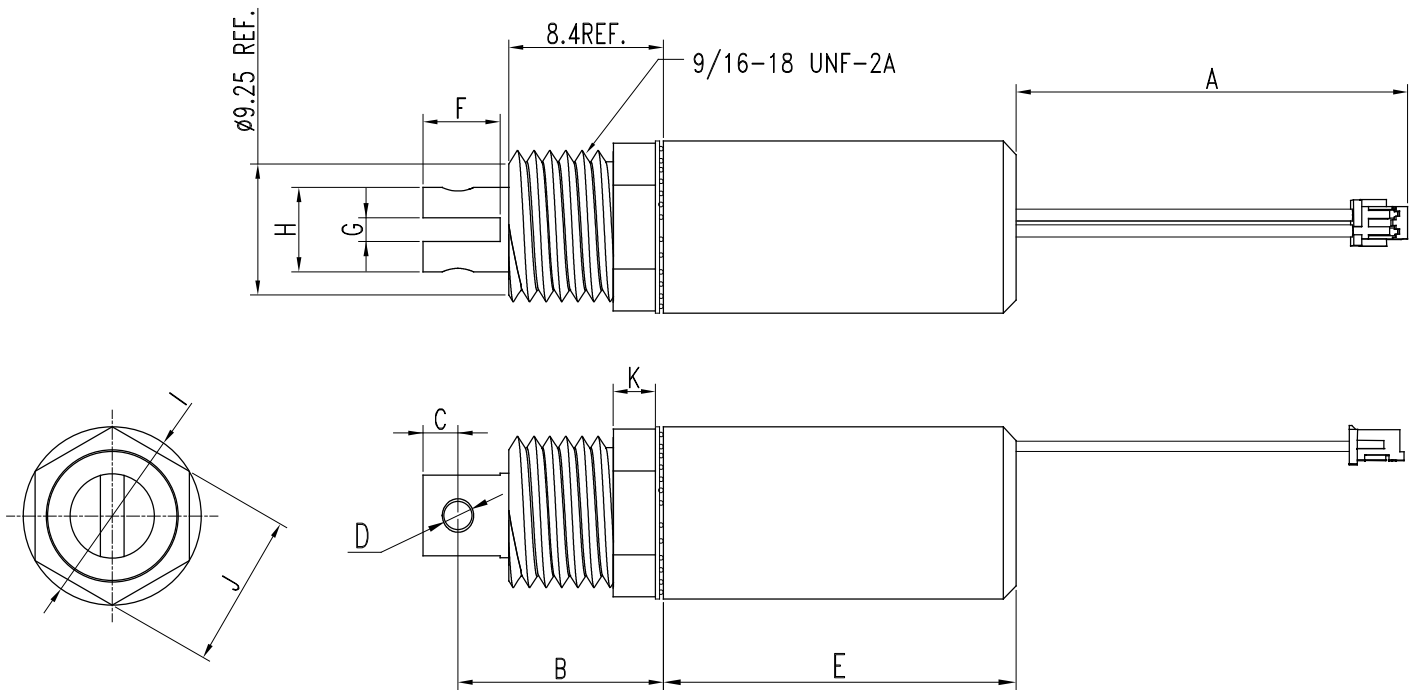
PART No.	VOLTAGE	DUTY CYCLE	POWER (W)	CURRENT (A)	DCR (Ω)*
DSTL-0840-24	24 VDC	100%	7.4	0.31	77.4
DSTL-0840-18	18 VDC	100%	7.2	0.4	45
DSTL-0840-12	12 VDC	100%	7.6	0.63	19
DSTL-0840-09	9.4 VDC	100%	7.0	0.75	12.5
DSTL-0840-05	5 VDC	100%	7.6	1.52	3.3

* OPERATION: POWER TO PULL

* DCR VALUES ARE $\pm 10\%$ AT 25°C

* WEIGHT ARE 96 GRAMS $\pm 10\%$

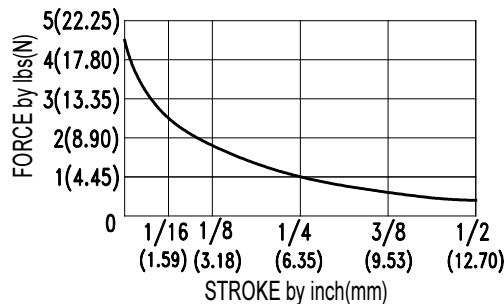
1. MECHANICAL DIMENSIONS :



Connector : TYCO
 HOUSING : AMP 179228-2
 CONTACT PIN : AMP 179227-1
 CABLE : AWG 24 UL 1569

UNIT : mm.

- A = 100 ± 10
- B = 19.05 ± 0.5
- C = 4.76 ± 0.25
- D = 2.4 ± 0.05
- E = 40.0 MAX.
- F = 9.52 ± 0.3
- G = 2.5 ± 0.3
- H = $\varnothing 7.82 \pm 0.1$
- I = 19.6 MAX.
- J = 17.50 REF.
- K = 3.30 ± 0.25



INSULATION MATERIALS: UL CONSTRUCTION, CLASS B 130°C
 LIFE EXPECTANCY: 100K CYCLES OPERATIONS

LAYER TEST	IR. @500 Vdc.	HI-POT
(S-F) : 2KVp. MIN.	COIL TO CASE	@50/60Hz.,2mA
TEST ONLY COIL	30 MOHM MIN.	COIL TO CASE
		1000Vac.,60s