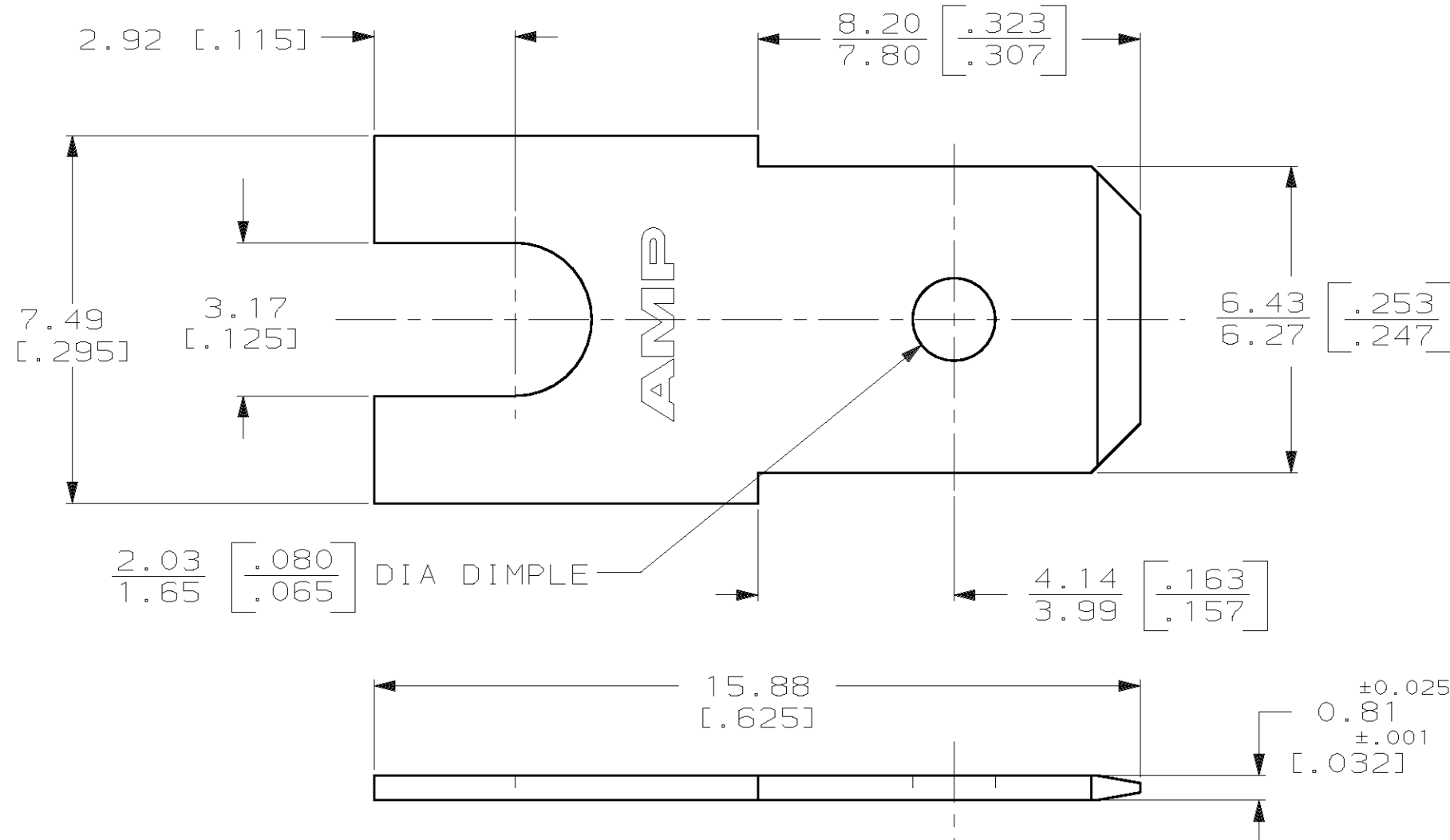


THIS DRAWING IS UNPUBLISHED. RELEASED FOR PUBLICATION, 19
 © COPYRIGHT 19 BY AMP INCORPORATED. ALL INTERNATIONAL RIGHTS RESERVED.

LOC	DIST	P	F	ZONE	LTR	DESCRIPTION	DATE	APPD
AF	50				G	REV PER 0L10-0205-97	5/14/97	JR

1 SUPPLIED IN LOOSE PIECE



METRIC

DO NOT SCALE PRINT.
 UNLESS SPECIFIED
 DIMENSIONS IN mm [INCHES]
 TOLERANCES ON:
 2 PLC DEC ± 0.25 [.010]
 3 PLC DEC ± -
 ANGLES ± -

MATERIAL
 SEE TABLE

FINISH
 -

DR 12/19/91
 JR RUTH
 CHK 12/19/91
 MS FEHER
 APPD 12/19/91
 C MEYERS
 APPD 12/19/91
 D REINER
 PRODUCT SPEC
 -
 APPLICATION SPEC
 -
 WEIGHT -

T3 STEEL	60447-2
082 BRASS	60447-1
MATERIAL	PART NO
AMP AMP Incorporated Harrisburg, PA 17105-3608	
NAME TAB, FASTON, 6.35 [.250] SERIES	
SIZE B	CAGE CODE 00779
DRAWING NO 60447	
SCALE 8:1	SHEET 1 OF 1