

292184-1 ✓ ACTIVE

CT Hybrid Drawer

TE Internal #: 292184-1

Connector Assembly, Receptacle, Wire-to-Wire, 6 Position, .079 in [2 mm] Centerline, Crimp, 2 Row, Black, Wire & Cable, CT Hybrid Drawer

[View on TE.com >](#)



Connectors > PCB Connectors > Wire-to-Board Connectors > Wire-to-Board Connector Assemblies & Housings



Connector Product Type: **Connector Assembly**

Connector & Housing Type: **Receptacle**

Connector System: **Wire-to-Wire**

Number of Positions: **6**

Centerline (Pitch): **2 mm [.079 in]**

Features

Product Type Features

Connector Product Type	Connector Assembly
Connector & Housing Type	Receptacle
Connector System	Wire-to-Wire
Sealable	No
Connector & Contact Terminates To	Wire & Cable

Configuration Features

Number of Power Positions	2
Number of Signal Positions	4
Number of Positions	6
Number of Rows	2

Electrical Characteristics

Dielectric Withstanding Voltage (Max)	1800 VAC
Insulation Resistance	100 MΩ
Operating Voltage	250 VAC

Body Features

Drawer Style	Miniature Power
Primary Product Color	Black



Contact Features

Contact Type	Socket
Contact Base Material	Copper Alloy
Contact Current Rating (Max)	15 A

Termination Features

Termination Method to Wire & Cable	Crimp
------------------------------------	-------

Mechanical Attachment

Strain Relief	Without
Panel Mount Feature	With
PCB Mount Retention	Without
Panel Mount Feature Type	Mounting Ears
Mating Retention	Without
Connector Mounting Type	Panel Mount

Housing Features

Housing Material	Thermoplastic
Centerline (Pitch)	2 mm [.079 in]

Dimensions

Connector Length	33 mm [1.299 in]
Connector Height	16.4 mm [.646 in]
Connector Width	18 mm [.709 in]
Compatible Insulation Diameter Range	1.4 – 2.4 mm [.055 – .094 in]
Wire Size	.2 – 1.25 mm ²

Usage Conditions

Operating Temperature Range	-30 – 105 °C [-22 – 221 °F]
-----------------------------	-----------------------------

Operation/Application

Circuit Application	Power & Signal
---------------------	----------------

Industry Standards

Glow Wire Rating	Standard Part - Not Glow Wire
UL Flammability Rating	UL 94V-0

Packaging Features

Packaging Quantity	50
Packaging Method	Tray



Other

Discrete Wire Connector Comment	Mating Connector - 292180
---------------------------------	---------------------------

Product Compliance

[For compliance documentation, visit the product page on TE.com>](#)

EU RoHS Directive 2011/65/EU	Compliant
EU ELV Directive 2000/53/EC	Compliant
China RoHS 2 Directive MIIT Order No 32, 2016	No Restricted Materials Above Threshold
EU REACH Regulation (EC) No. 1907/2006	Current ECHA Candidate List: JUNE 2023 (235) Candidate List Declared Against: JAN 2023 (233) Does not contain REACH SVHC
Halogen Content	Not Low Halogen - contains Br or Cl > 900 ppm.
Solder Process Capability	Not applicable for solder process capability

Product Compliance Disclaimer

This information is provided based on reasonable inquiry of our suppliers and represents our current actual knowledge based on the information they provided. This information is subject to change. The part numbers that TE has identified as EU RoHS compliant have a maximum concentration of 0.1% by weight in homogenous materials for lead, hexavalent chromium, mercury, PBB, PBDE, DBP, BBP, DEHP, DIBP, and 0.01% for cadmium, or qualify for an exemption to these limits as defined in the Annexes of Directive 2011/65/EU (RoHS2). Finished electrical and electronic equipment products will be CE marked as required by Directive 2011/65/EU. Components may not be CE marked. Additionally, the part numbers that TE has identified as EU ELV compliant have a maximum concentration of 0.1% by weight in homogenous materials for lead, hexavalent chromium, and mercury, and 0.01% for cadmium, or qualify for an exemption to these limits as defined in the Annexes of Directive 2000/53/EC (ELV). Regarding the REACH Regulation, the information TE provides on SVHC in articles for this part number is based on the latest European Chemicals Agency (ECHA) 'Guidance on requirements for substances in articles' posted at this URL: <https://echa.europa.eu/guidance-documents/guidance-on-reach>

Compatible Parts

 <p>TE Part # 175151-1 AMP UNIVERSAL POWER REC CONT.</p>	 <p>TE Part # 175152-1 UNIVERSAL POWER REC</p>	 <p>TE Part # 292180-1 CAP ASS'Y W/O COMMONING TAB FO</p>
---	--	--

Also in the Series | **CT Hybrid Drawer**



Wire-to-Board Connector Assemblies & Housings(16)

Customers Also Bought



TE Part #292156-4
CT Relay Header Assembly: Free Hanging



TE Part #292254-9
CT RELAY HDR ASSY 9P NAT



TE Part #1-292254-0
CT RELAY HDR ASSY 10P NAT



TE Part #3-353294-6
AMP MINI D/R HDR HSG 36P NATU



TE Part #4-353294-0
AMP MINI D/R HDR HSG 40P NATU



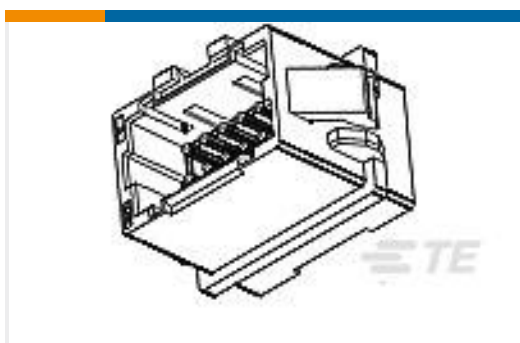
TE Part #2-353294-6
AMP MINI D/R HDR HSG 26P NATU



TE Part #2-173983-4
AMP CT MT AMP-IN HDR-H YEL 4P



TE Part #2-1674755-0
REC ASSY FOR MINI CT HYBIRD DR



TE Part #4-292216-0
MINI CT D/R RELAY 40P V NAT

Documents

Product Drawings

[HYBRID MINI DRAWER REC ASS'Y 6](#)

English

CAD Files

[Customer View Model](#)

[ENG_CVM_292184-1_A1.3d_igs.zip](#)

English

[Customer View Model](#)



[ENG_CVM_292184-1_A1.3d_stp.zip](#)

English

Customer View Model

[ENG_CVM_292184-1_A1.2d_dxf.zip](#)

English

3D PDF

3D

By downloading the CAD file I accept and agree to the [Terms and Conditions](#) of use.

Datasheets & Catalog Pages

[POWER_CONNECTORS_CATALOG_SEC02_CABLE_MOUNTED](#)

English

[Low Power Drawer Connectors QRG](#)

English

Product Specifications

[Application Specification](#)

English

[Crimping Hybrid Mini Drawer Connector Power Line Contact](#)

English

Product Environmental Compliance

[MD_292184-1_012020152119_dmtec](#)

English

[MD_292184-1_012020152119_dmtec](#)

English

Agency Approvals

[UL Report](#)

English