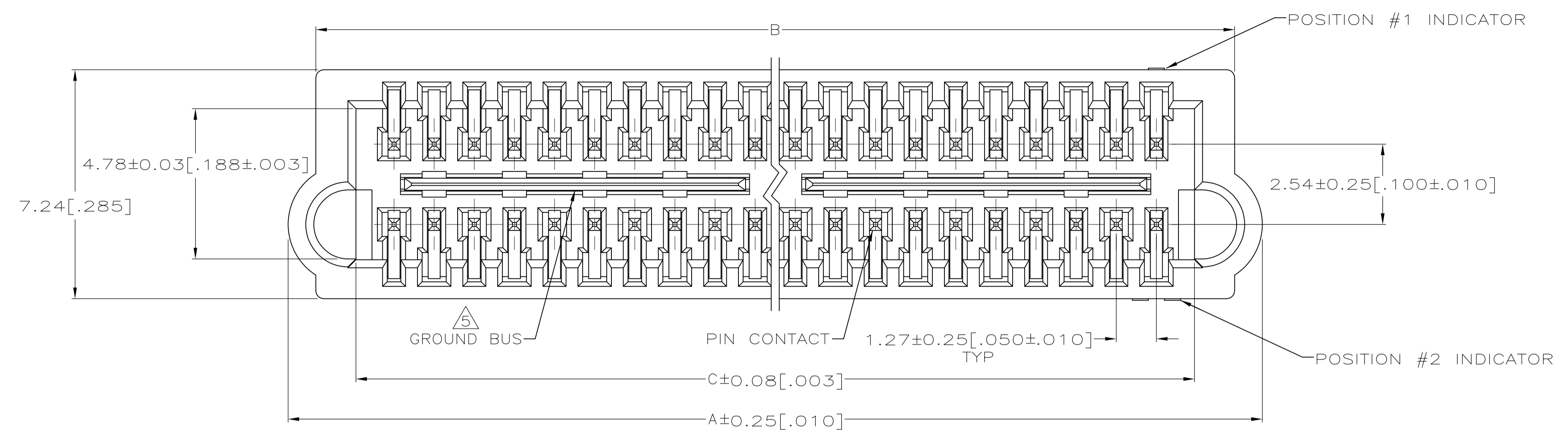
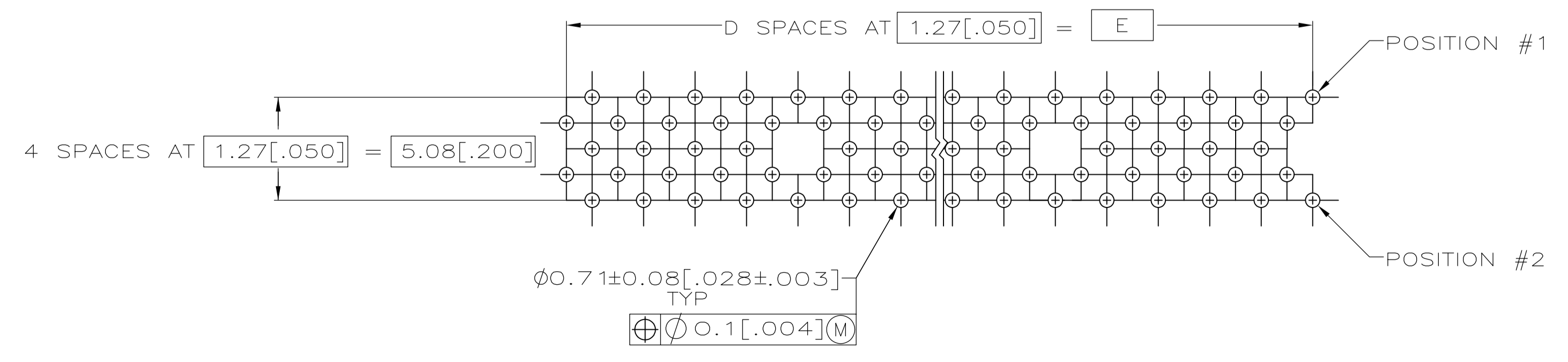
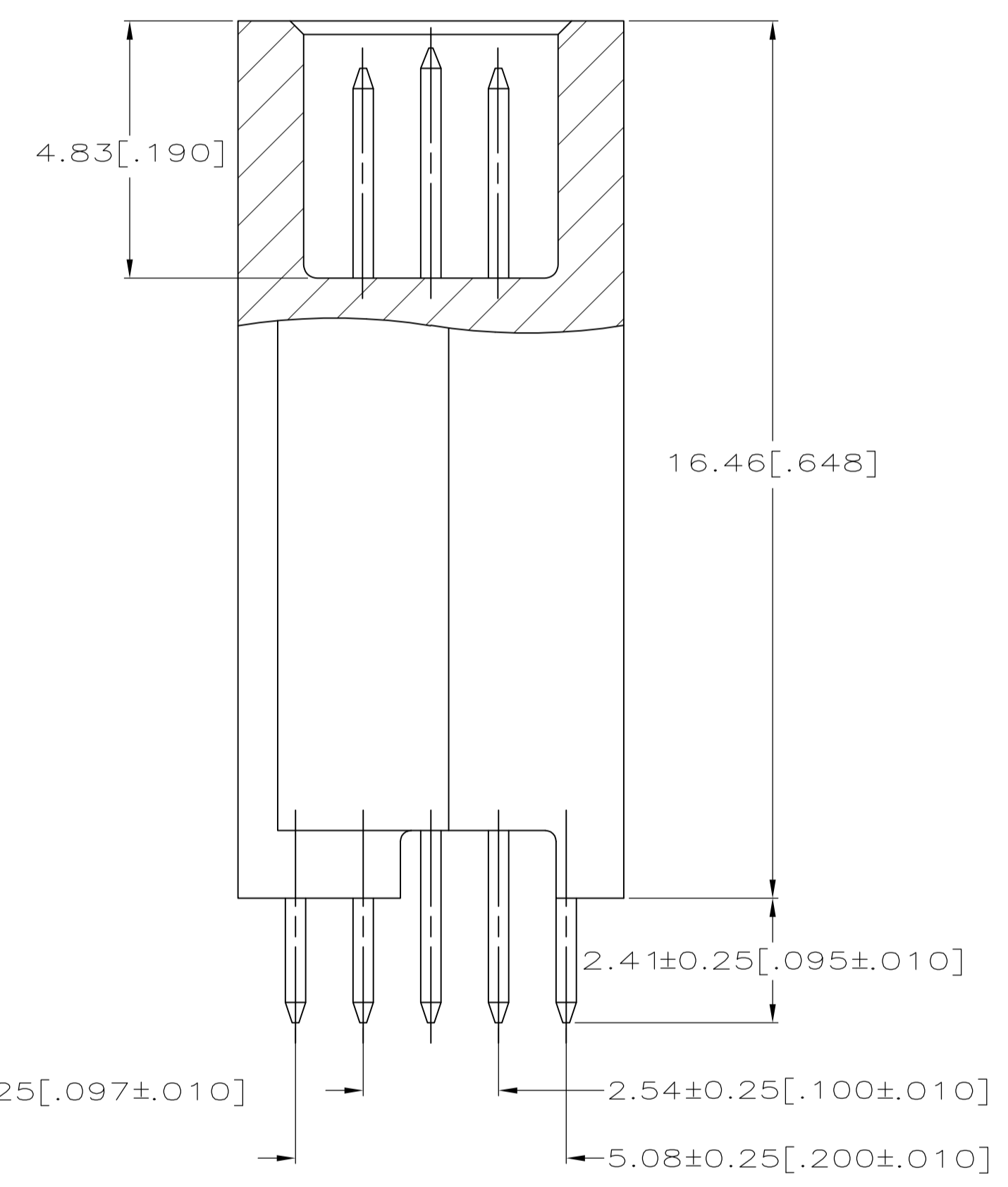
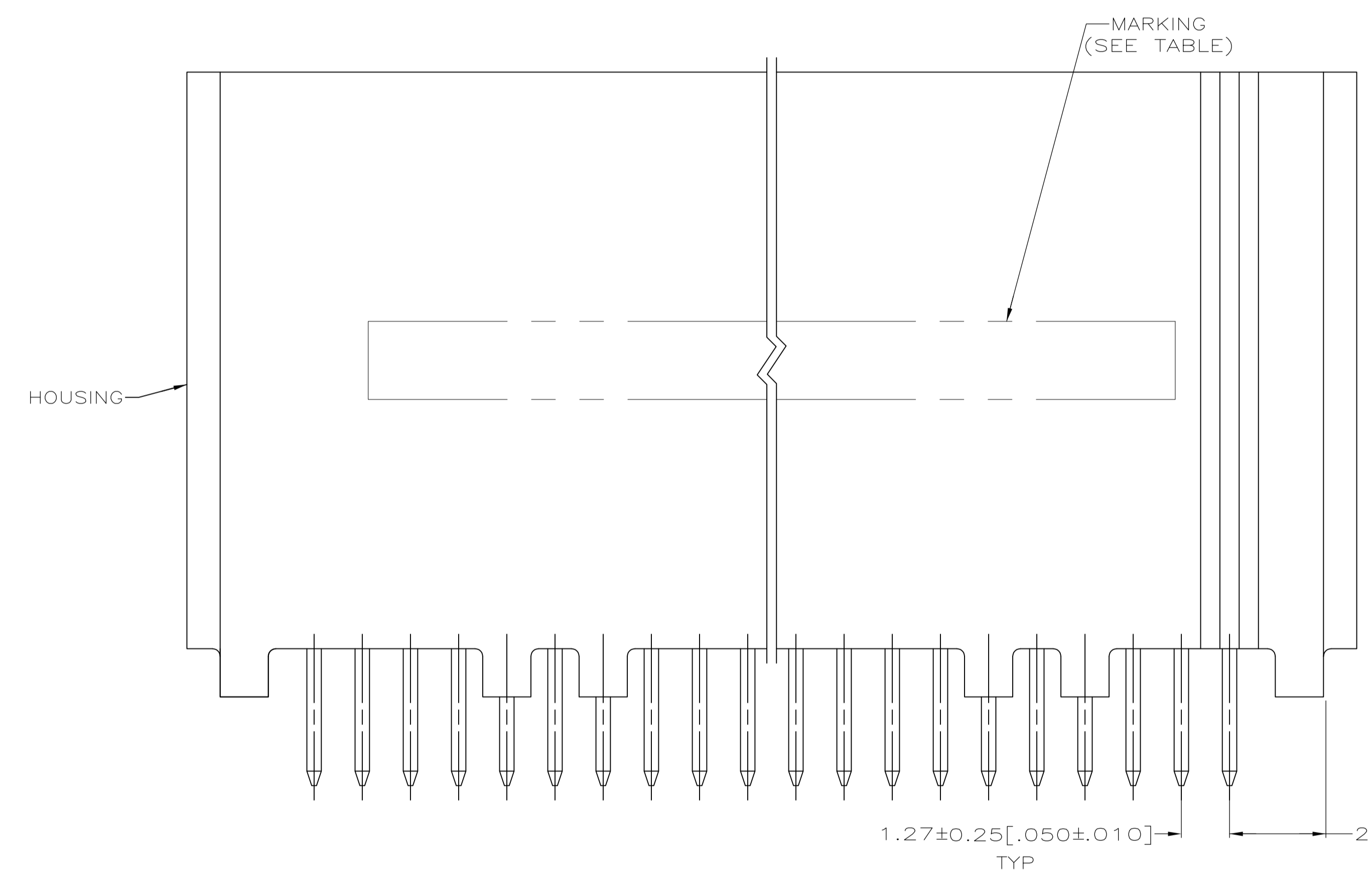


| REVISIONS | | | | | |
|-----------|-----|---------------------------|-----------|-----|------|
| P | LTR | DESCRIPTION | DATE | DMN | APVD |
| R | | REVISED PER ECO-16-010704 | 20JUL2016 | SY | SY |



- ① HOUSING: HIGH TEMPERATURE THERMOPLASTIC, COLOR: NATURAL OR LIGHT NATURAL. PIN CONTACTS: PHOSPHOR BRONZE. GROUND BUSSES: PHOSPHOR BRONZE.
- ② CONTACTS & GROUND BUSES: 0.00076(.000030) MIN. GOLD PER ASTM B 488 ON CONTACT AREA, 0.00254-0.00762(.000100-.000300) MATTE TIN PER ASTM B 545 ON SOLDER TAIL, ALL OVER 0.00127-0.00254(.000050-.000100) MATTE NICKEL PER SAE AMS-QQ-N-290 ON ENTIRE CONTACT.
- ③ AMP AND DATE CODE MARKED IN AREA INDICATED, ON SAME SIDE AS POSITION NUMBER 2 INDICATOR.
- ④ AMP, DATE CODE AND PART NUMBER MARKED IN AREA INDICATED, ON SAME SIDE AS POSITION NUMBER 2 INDICATOR.
- ⑤ ONE GROUND BUS WITH 4 TAILS PER EACH 20 PIN CONTACTS.



| MARKING | E | D | C | B | A | NO OF POS | PART NUMBER | | | | | |
|----------|--------|-------|-------|--------|-------|-----------|-------------|--------|-------|-------|-----------|-----------|
| ③ | 125.73 | 4.950 | 99 | 128.22 | 5.048 | 130.81 | 5.150 | 132.44 | 5.214 | 200 | 5149009-9 | |
| ③ | 113.03 | 4.450 | 89 | 115.52 | 4.548 | 118.11 | 4.650 | 119.74 | 4.714 | 180 | 5149009-8 | |
| ③ | 100.33 | 3.950 | 79 | 102.82 | 4.048 | 105.41 | 4.150 | 107.04 | 4.214 | 160 | 5149009-7 | |
| OBsolete | ③ | 87.63 | 3.450 | 69 | 90.12 | 3.548 | 92.71 | 3.650 | 94.34 | 3.714 | 140 | 5149009-6 |
| | ③ | 74.93 | 2.950 | 59 | 77.42 | 3.048 | 80.01 | 3.150 | 81.64 | 3.214 | 120 | 5149009-5 |
| | ④ | 62.23 | 2.450 | 49 | 64.72 | 2.548 | 67.31 | 2.650 | 68.94 | 2.714 | 100 | 5149009-4 |
| | ③ | 49.53 | 1.950 | 39 | 52.02 | 2.048 | 54.61 | 2.150 | 56.24 | 2.214 | 80 | 5149009-3 |
| OBsolete | ③ | 36.83 | 1.450 | 29 | 39.32 | 1.548 | 41.91 | 1.650 | 43.54 | 1.714 | 60 | 5149009-2 |
| | ③ | 24.13 | .950 | 19 | 26.62 | 1.048 | 29.21 | 1.150 | 30.84 | 1.214 | 40 | 5149009-1 |

THIS DRAWING IS A CONTROLLED DOCUMENT.

| | | | |
|-------------------------|--|----------------------------|--|
| DIMENSIONS: mm [INCHES] | TOLERANCES UNLESS OTHERWISE SPECIFIED: | DIN L VARELA 01-19-05 | STE TE Connectivity |
| 0 PLC ± - | 1 PLC ± - | DMN D DIXON 01-19-05 | NAME PLUG ASSEMBLY, 18.75[.738] STACK, 2.41[.095] TAIL, BOARD TO BOARD, MICROSTRIP |
| 2 PLC ± - | 3 PLC ± 0.1[.005] | APVD D DIXON 01-19-05 | PRODUCT SPEC 108-1272 |
| 4 PLC ± - | ANGLES ± - | APPLICATION SPEC 114-11005 | SIZE CAGE CODE DRAWING NO RESTRICTED TO |
| MATERIAL ① | FINISH ② | WEIGHT 0.000000 | A1 00779 5149009 |
| CUSTOMER DRAWING | | SCALE 10:1 | SHEET 1 OF 1 REV R |