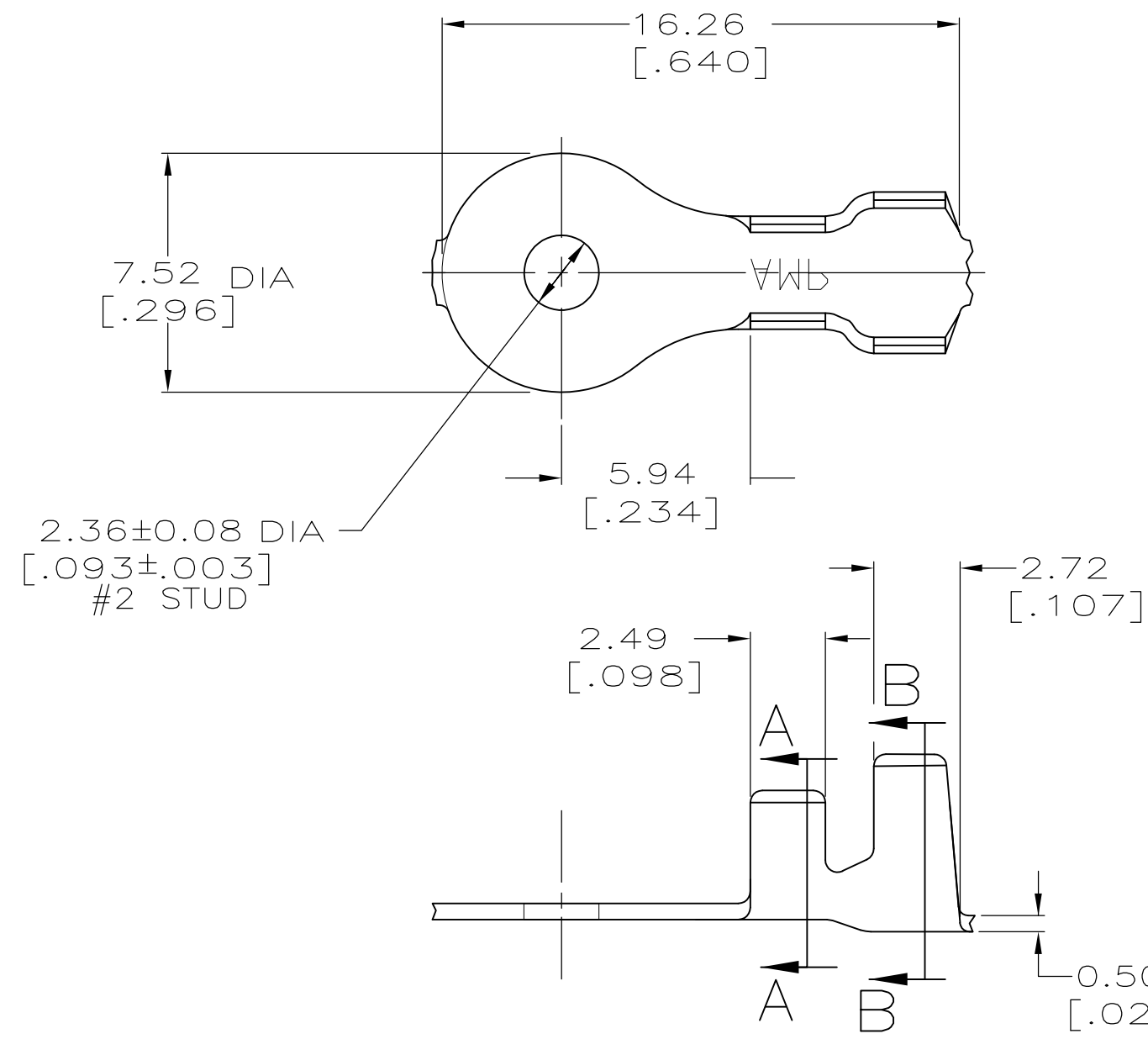
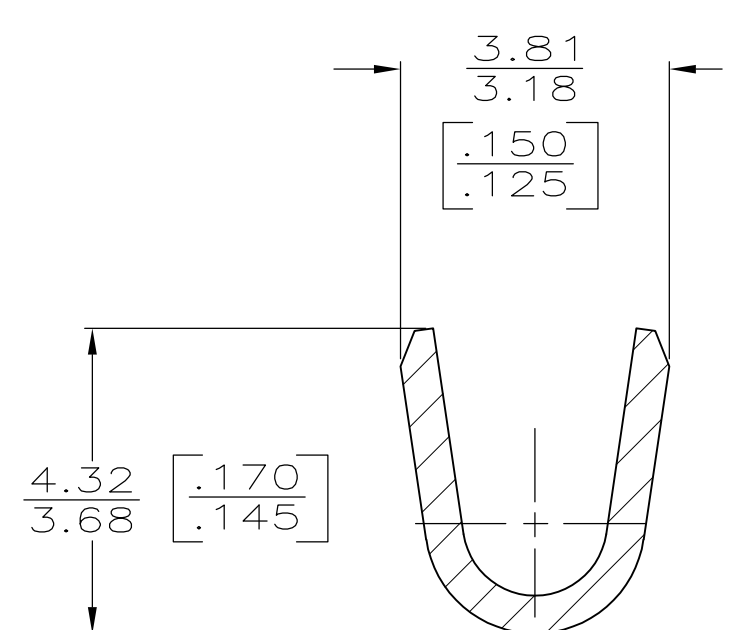


THIS DRAWING IS UNPUBLISHED. RELEASED FOR PUBLICATION  
 © COPYRIGHT BY TYCO ELECTRONICS CORPORATION. ALL INTERNATIONAL RIGHTS RESERVED.

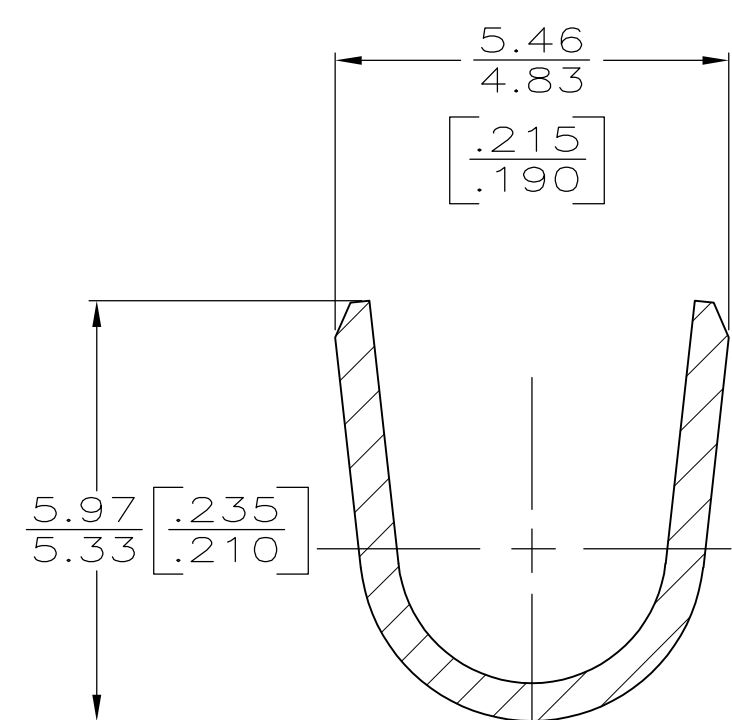
LOC	DIST	REVISIONS					
AF	50	P	LTR	DESCRIPTION	DATE	DWN	APVD
			B5	REVISED PER ECR-09-011282	20MAY09	HMR	DD



- 1 CONTINUOUS STRIP ON REEL.
- 2 TIN PLATING



SECTION A-A  
SCALE 10:1



SECTION B-B  
SCALE 10:1

OBSOLETE	2	3.05-4.32 DIA [.120-.170]	0.8-2.0mm [18-14] AWG OR 2-0.8mm <sup>2</sup> [18] AWG	63750-2
				63750-1
	FINISH	INSULATION RANGE	WIRE RANGE	PART NUMBER

THIS DRAWING IS A CONTROLLED DOCUMENT.		DWN M.S. FEHER 24OCT2006	Tyco Electronics Corporation Harrisburg, PA 17105-3608	
DIMENSIONS: INCHES	TOLERANCES UNLESS OTHERWISE SPECIFIED: 0 PLC ± - 1 PLC ± - 2 PLC ± 0.25 [.010] 3 PLC ± - 4 PLC ± - ANGLES ± -	CHK D.F. DECKER 24OCT2006	NAME	
		APVD D.F. DECKER 24OCT2006	RING TONGUE	
MATERIAL 082 BRASS	FINISH SEE TABLE	PRODUCT SPEC -	APPLICATION SPEC -	RESTRICTED TO -
		WEIGHT -	SIZE A3	CAGE CODE 00779
		DRAWING NO C-63750		SCALE 5:1
		CUSTOMER DRAWING		SHEET 1 OF 1
				REV B5