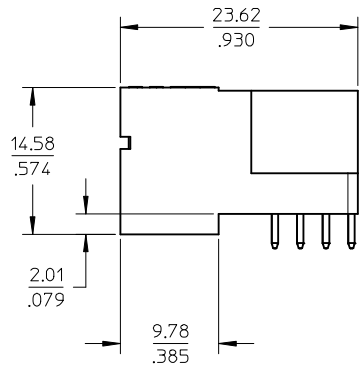
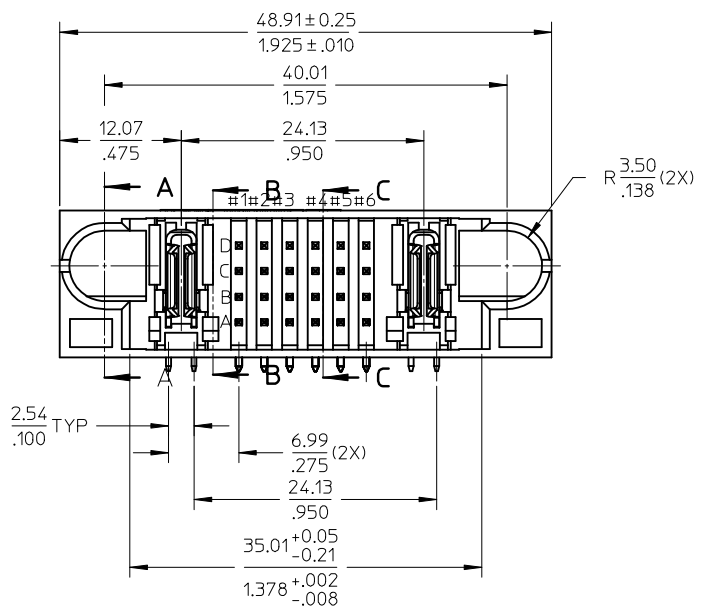


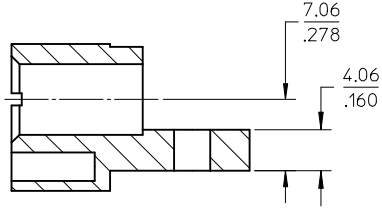
SHORT BLADE OPTION LONG BLADE OPTION
DETAIL R
 (SEE TABLE FOR BLADE OPTION)



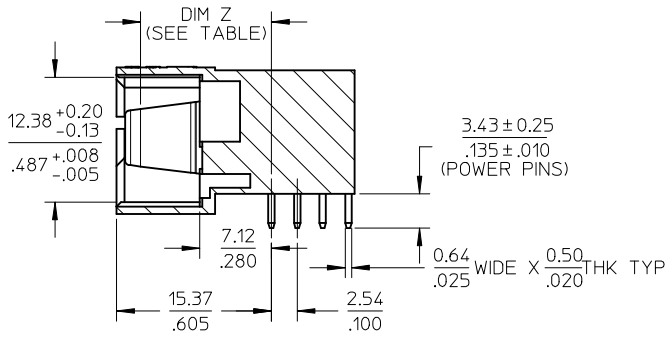
- NOTES:
1. MATERIALS: HOUSING - LCP, GLASS FILLED, UL94V-0, COLOR: BLACK
 POWER PINS - COPPER ALLOY
 SIGNAL PINS - COPPER ALLOY
 2. FINISHES: POWER & SIGNAL PINS:
 SELECTIVE GOLD IN CONTACT AREA.
 THICKNESS= 0.76 MICROMETER/ 30 MICROINCH MINIMUM
 SELECTIVE TIN IN THE PC TAIL AREA
 THICKNESS= 2.54 MICROMETER/100 MICROINCH MINIMUM
 WITH 1.27µm MINIMUM NICKEL UNDERPLATE OVERALL.
 3. PRODUCT SPECIFICATION: PS-87606-002
 4. SEE SHEET 2 FOR RECOMMENDED PCB LAYOUT AND THICKNESS.
 5. COMPONENT STAY AWAY ZONE FROM CONNECTOR.
 6. MANUFACTURER LOGO, PART NUMBER AND YEAR-WEEK CODE.
 7. PCB NOTE FOR DIAMETER 1.02/.040 PLATED HOLE.
 - DRILLED HOLE SIZE IS 1.151/.0453.
 - PLATED WITH 0.007/.0003 MINIMUM TIN (Sn) OVER 0.03/.001
 TO 0.08/.003 COPPER PLATING TO ACHIEVE 1.02±0.08/.040±.003 HOLE.

CORRECT PCB HOLE SIZE EC NO: S2009-0475 DRWN:SKANG CHKD:ATSEE APPR:MLONG	QUALITY SYMBOLS ▽=0 ▽=0	GENERAL TOLERANCES (UNLESS SPECIFIED)		DIMENSION STYLE MM/IN		SCALE NTS	DESIGN UNITS METRIC	THIRD ANGLE PROJECTION		
			mm	INCH	DRAWN BY	DATE	TITLE			
		4 PLACES	± ---	± ---	BHLOW	2002/12/02	DPS CONNECTOR, HEADER 1P-24S-1P CONFIG R/A, T/H, SCREW MOUNT			
		3 PLACES	± ---	± .005	CHECKED BY	DATE				
2 PLACES	± 0.13	± .010	PTLIM	2002/12/09	MOLEX MOLEX INCORPORATED					
1 PLACE	± 0.25	± ---	APPROVED BY	DATE						
ANGULAR ± 3 °		DRAFT WHERE APPLICABLE MUST REMAIN WITHIN DIMENSIONS		SKTOH	2002/12/10	MATERIAL NO. SEE TABLE	DOCUMENT NO. SD-87606-015	SHEET NO. 1 OF 3		
D2		REV		SIZE A3	THIS DRAWING CONTAINS INFORMATION THAT IS PROPRIETARY TO MOLEX INCORPORATED AND SHOULD NOT BE USED WITHOUT WRITTEN PERMISSION					

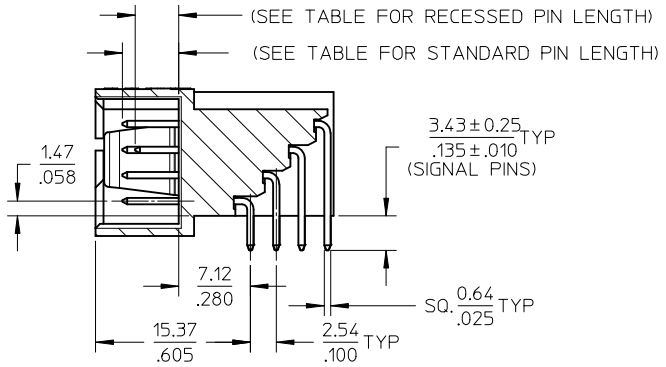
10 9 8 7 6 5 4 3 2 1



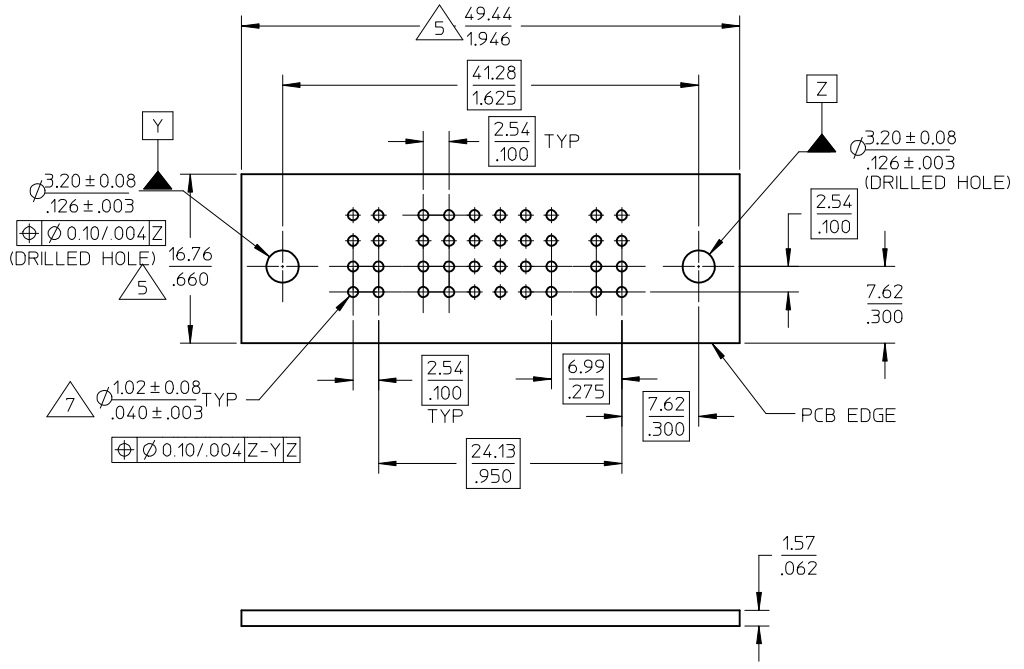
SECTION A-A



SECTION B-B
(LOCKING DETAIL NOT SHOWN)



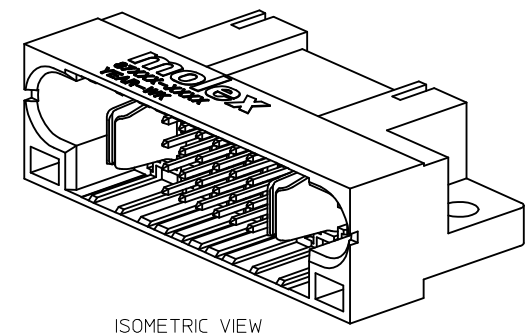
SECTION C-C
(LOCKING DETAIL NOT SHOWN)



CORRECT PCB HOLE SIZE EC NO: S2009-0475 DRWN:SKANG 2009/01/16 CHKD:ATSEE 2009/01/20 APPR:MLONG 2009/02/05	QUALITY SYMBOLS ▽=0 ∇=0	GENERAL TOLERANCES (UNLESS SPECIFIED)		DIMENSION STYLE	SCALE	DESIGN UNITS	THIRD ANGLE PROJECTION	
				MM/IN	NTS	METRIC		
			mm	INCH	DRAWN BY	DATE	TITLE	
					BHLOW	2002/12/02	DPS CONNECTOR, HEADER 1P-24S-1P CONFIG R/A, T/H, SCREW MOUNT	
			CHECKED BY	DATE				
			PTL IM	2002/12/09				
			APPROVED BY	DATE				
			SKTOH	2002/12/10	MOLEX INCORPORATED			
			MATERIAL NO.	SEE TABLE	DOCUMENT NO.	SD-87606-015		
			SIZE	A3	THIS DRAWING CONTAINS INFORMATION THAT IS PROPRIETARY TO MOLEX INCORPORATED AND SHOULD NOT BE USED WITHOUT WRITTEN PERMISSION		SHEET NO. 2 OF 3	

9 8 7 6 5 4 3 2 1

PART NUMBER	P-S-P CONFIGURATION			POWER BLADE OPTIONS		STANDARD SIGNAL	RECESSED SIGNAL PIN		PACKAGING
	POWER ALHPA	SIGNAL	POWER BETA	TYPE	DIM Z	PIN LENGTH	PIN LENGTH	LOCATION	
87606-1001	1	24	1	SHORT CONTACT	13.32/.524	5.59/.220	4.32/.170	B4	TRAY
87606-2002	1	24	1	LONG CONTACT	14.12/.556	6.86/.270	5.59/.220	B4	TRAY
87606-2003	1	24	1	LONG CONTACT	14.12/.556	6.45/.254	4.32/.170	C1,C6	TRAY
87606-2004	1	24	1	LONG CONTACT	14.12/.556	6.86/.270	5.59/.220	A1,A6,D1,D6	TRAY
87606-2005	1	24	1	LONG CONTACT	14.12/.556	6.86/.270	5.59/.220	A2	TRAY



ISOMETRIC VIEW

CORRECT PCB HOLE SIZE EC NO: S2009-0475 DRWN:SKANG CHKD:ATSEE APPR:MLONG	2009/01/16 2009/01/20 2009/02/05	DESCRIPTION REV	QUALITY SYMBOLS	GENERAL TOLERANCES (UNLESS SPECIFIED)	DIMENSION STYLE	SCALE	DESIGN UNITS	THIRD ANGLE PROJECTION			
			$\blacktriangledown = 0$ $\triangleleft = 0$	mm INCH 4 PLACES \pm --- \pm --- 3 PLACES \pm --- \pm .005 2 PLACES \pm 0.13 \pm .010 1 PLACE \pm 0.25 \pm --- ANGULAR \pm 3 °	MM/IN	NTS	METRIC	DRAWN BY: BHLOW DATE: 2002/12/02 CHECKED BY: PTLIM DATE: 2002/12/09 APPROVED BY: SKTOH DATE: 2002/12/10 MATERIAL NO.	TITLE: DPS CONNECTOR, HEADER 1P-24S-1P CONFIG R/A, T/H, SCREW MOUNT MOLEX INCORPORATED DOCUMENT NO. SD-87606-015	SHEET NO. 3 OF 3	
			DRAFT WHERE APPLICABLE MUST REMAIN WITHIN DIMENSIONS	SEE TABLE	SIZE A3	THIS DRAWING CONTAINS INFORMATION THAT IS PROPRIETARY TO MOLEX INCORPORATED AND SHOULD NOT BE USED WITHOUT WRITTEN PERMISSION					