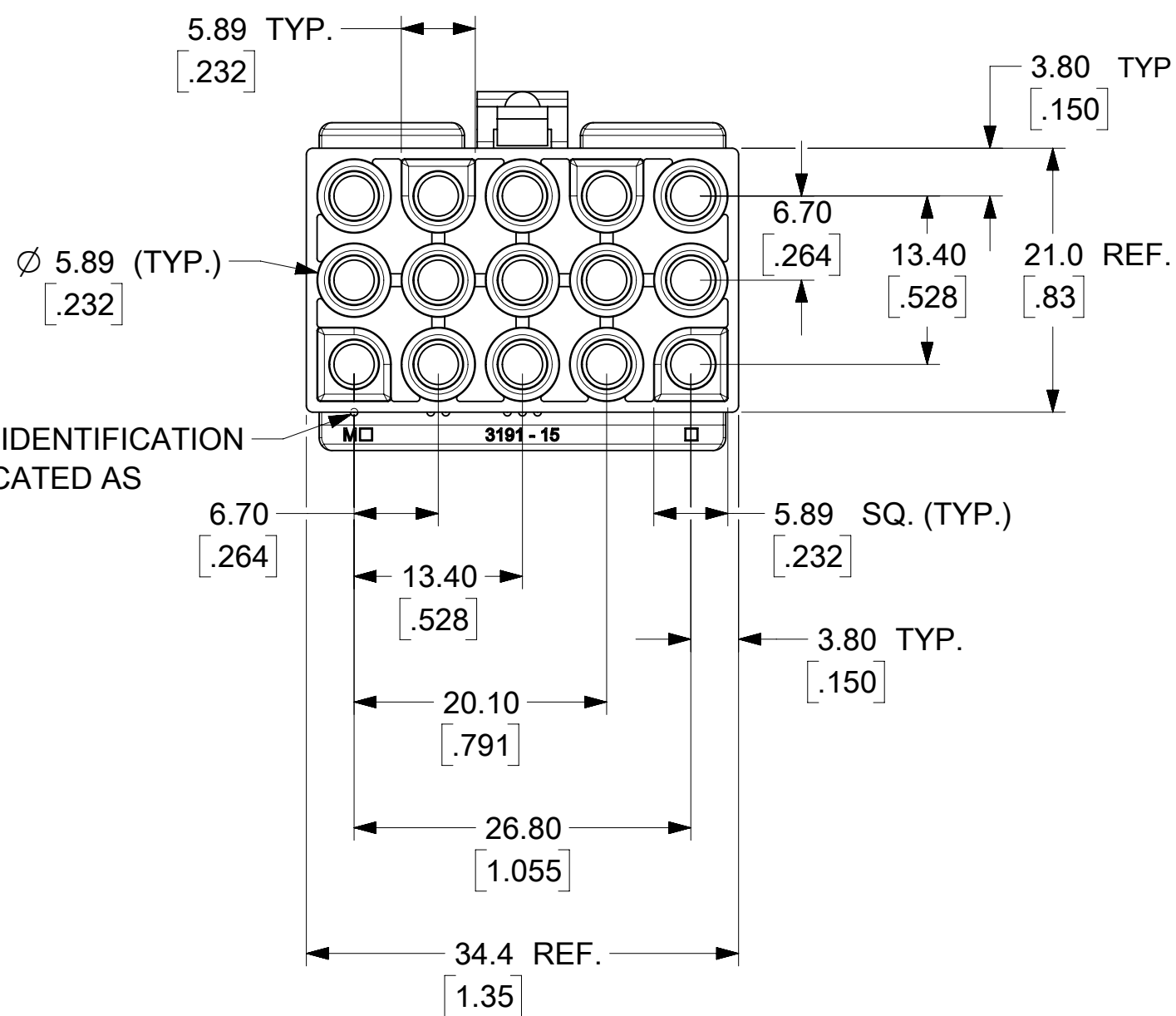
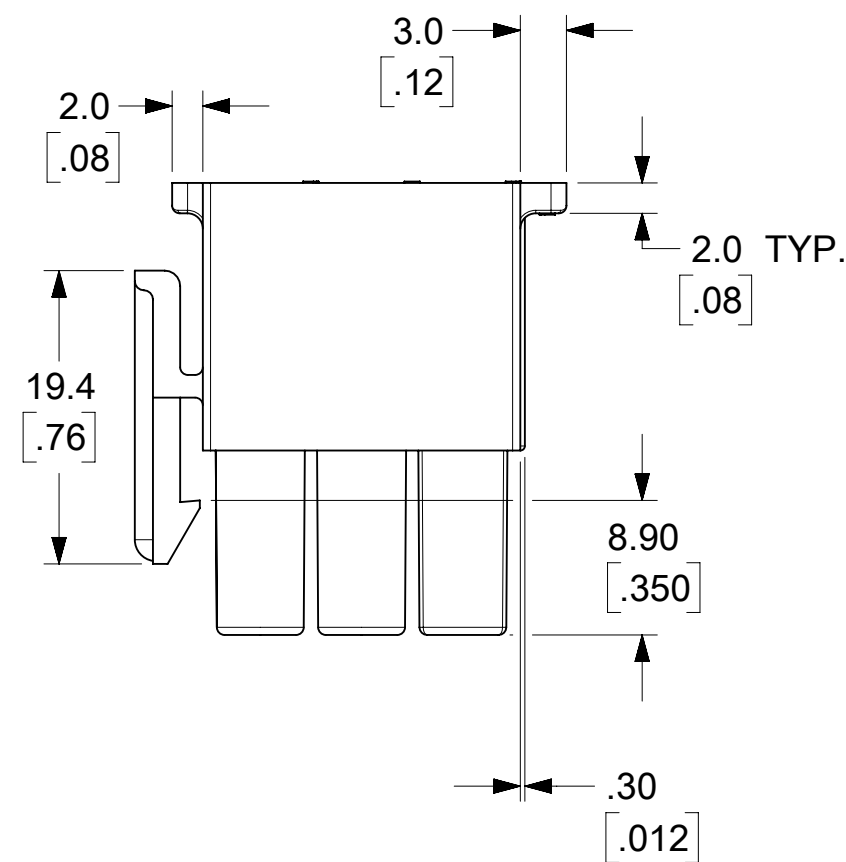
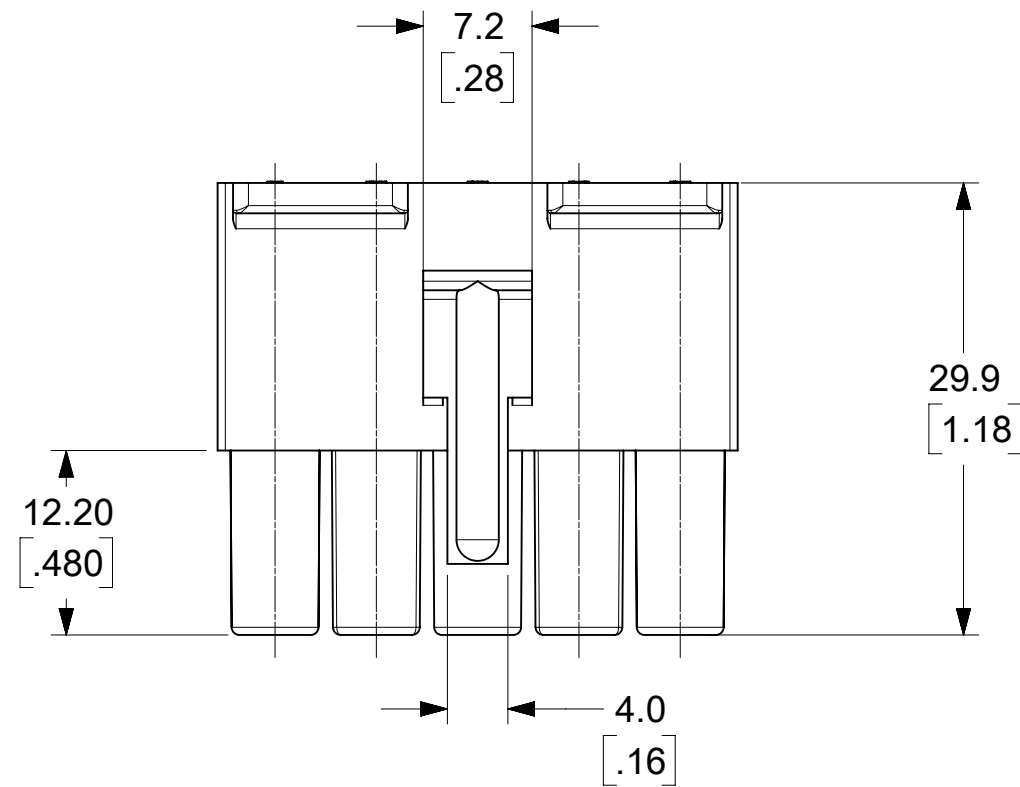
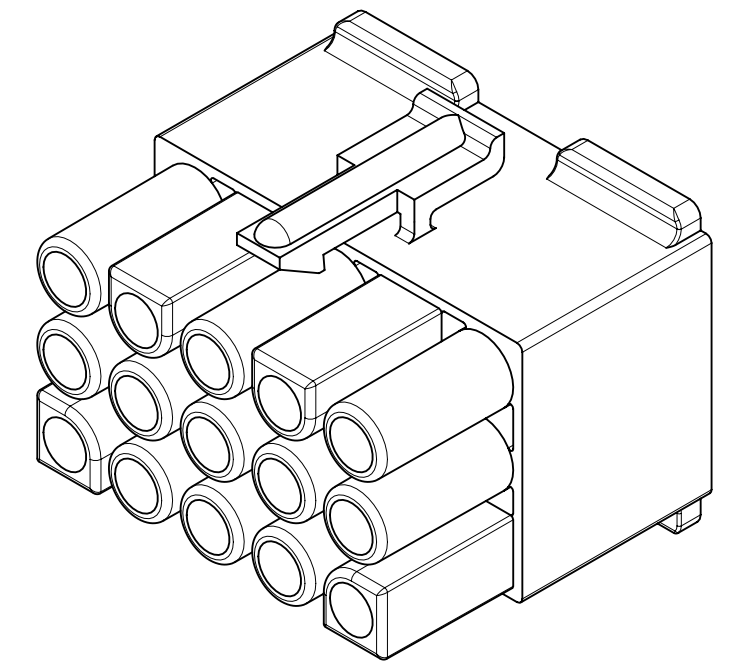
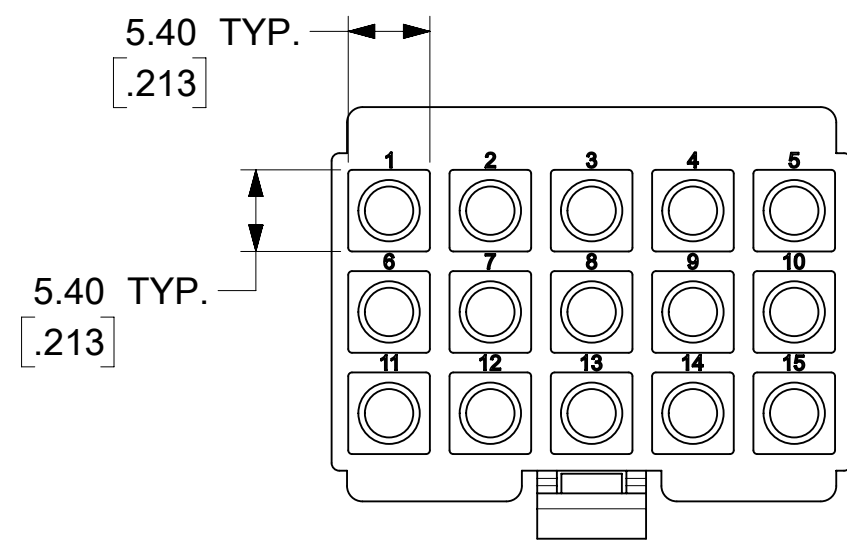


PLUG

| | | | | | | | | | | | |
|--|---|------------------------|-------|--------------|----------------------------------|----------|-------|-------------------|---------------|--|--|
| FUNCTIONAL SYMBOLS | THIS DRAWING CONTAINS INFORMATION THAT IS PROPRIETARY TO MOLEX ELECTRONIC TECHNOLOGIES, LLC AND SHOULD NOT BE USED WITHOUT WRITTEN PERMISSION | | | | | | | | | | |
| | DIMENSION UNITS | | SCALE | | CURRENT REV DESC: RECREATE IN NX | | | | | | |
| $\frac{F}{A} = 0$ | MM/INCH | | 2:1 | | | | | | | | |
| $\frac{F}{C} = 0$ | GENERAL TOLERANCES (UNLESS SPECIFIED) | | | | | | | | | | |
| $\frac{F}{P} = 0$ | 4 PLACES | | ± | | MM | | INCH | | EC NO: 639672 | | |
| DIVISIONAL SYMBOLS | 3 PLACES | | ± | | | | | | 2019/10/09 | | |
| | 2 PLACES | | ± | | 0.25 | | 0.014 | | 2020/07/06 | | |
| 1 PLACE | | ± | | 0.36 | | | | 2020/07/13 | | | |
| 0 PLACES | | ± | | | | | | INITIAL REVISION: | | | |
| ANGULAR TOL | | ± | | ° | | | | DRWN: AELHAG | | | |
| DRAFT WHERE APPLICABLE MUST REMAIN WITHIN DIMENSIONS | | THIRD ANGLE PROJECTION | | DRAWING | | SERIES | | 2012/03/28 | | | |
| | | | | | | | | 2012/04/25 | | | |
| DOCUMENT NUMBER | | DOC TYPE | | DOC PART | | REVISION | | 31911500-SD | | | |
| MATERIAL NUMBER | | CUSTOMER | | SHEET NUMBER | | | | PSD 000 A | | | |
| SEE CHART | | GENERAL MARKET | | 1 OF 3 | | | | | | | |



CIRCUIT IDENTIFICATION RIBS LOCATED AS SHOWN.

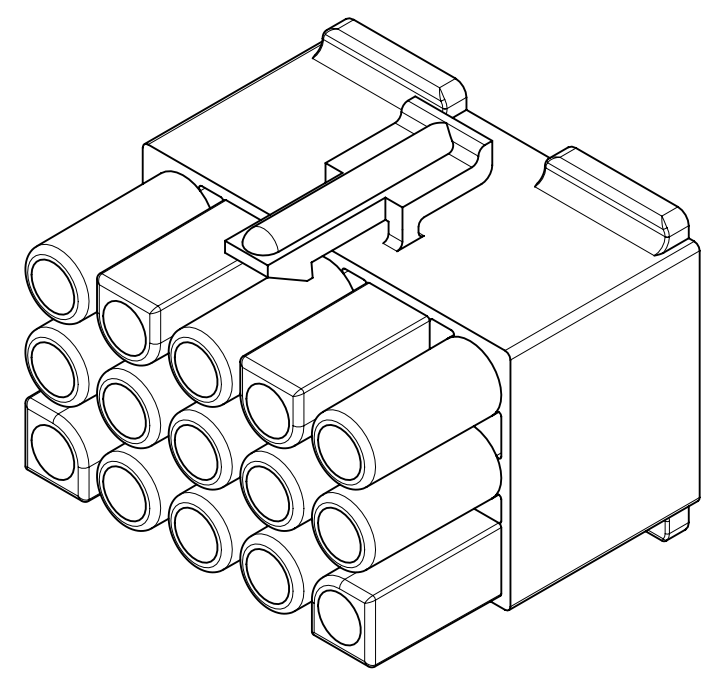
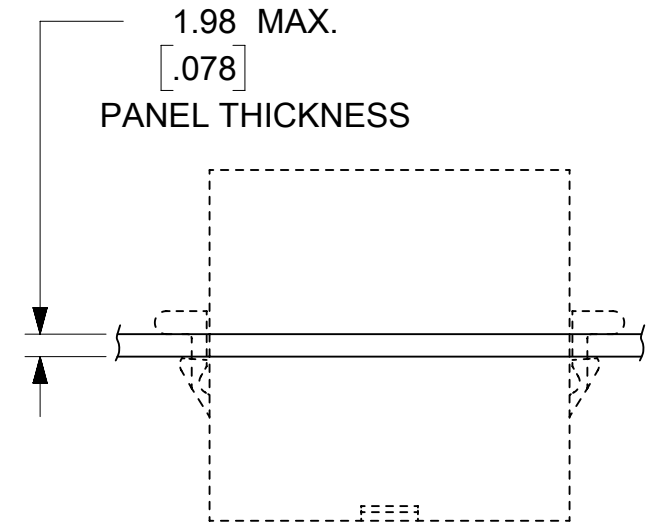
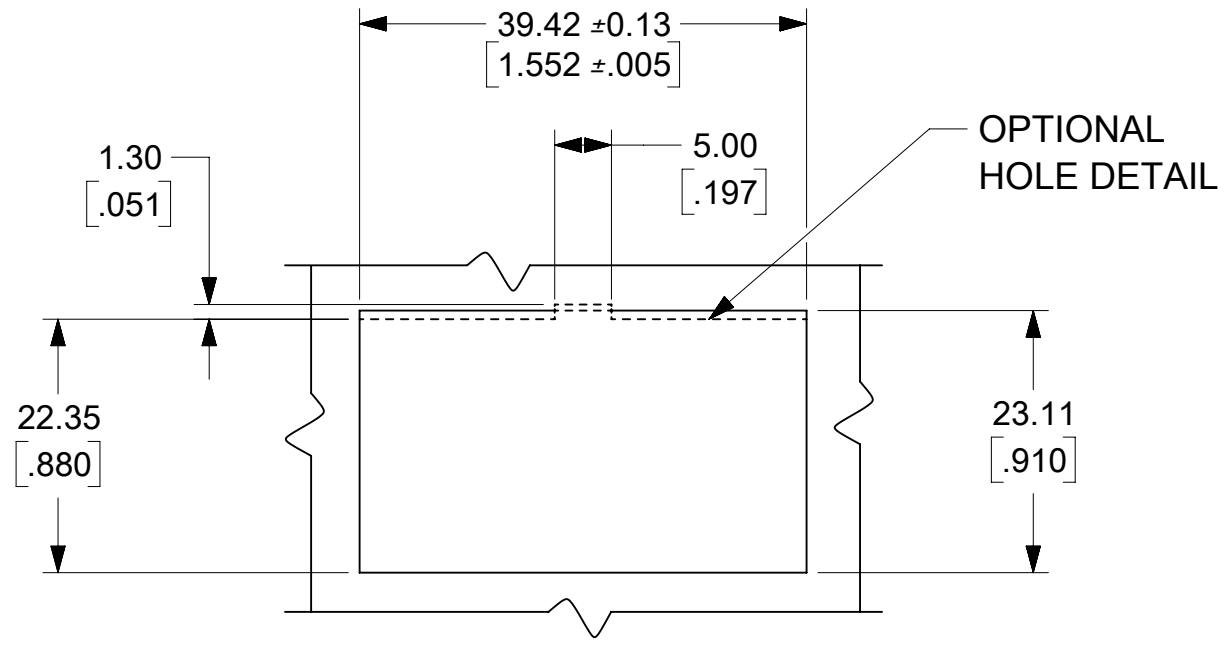
RECEPTACLE

| | | | | | | | | | | | |
|--|---|------------------------|--------|-------------------|--|------------|------------|-----------------|--|----------------|--------------|
| FUNCTIONAL SYMBOLS | THIS DRAWING CONTAINS INFORMATION THAT IS PROPRIETARY TO MOLEX ELECTRONIC TECHNOLOGIES, LLC AND SHOULD NOT BE USED WITHOUT WRITTEN PERMISSION | | | | | | | | | | |
| | DIMENSION UNITS | | SCALE | | CURRENT REV DESC: RECREATE IN NX | | | | | | |
| $F_A = 0$ | MM/INCH | | 2:1 | | molex .093/(2.36) HOUSING, PLUG AND RECEPTACLE, 15 CKT .264/(6.70) CTRS. | | | | | | |
| $F_C = 0$ | GENERAL TOLERANCES (UNLESS SPECIFIED) | | | | | | | | | | |
| DIVISIONAL SYMBOLS | 4 PLACES | | ± | ± | EC NO: 639672 | | 2019/10/09 | | | | |
| | 3 PLACES | | ± | ± 0.01 | DRWN: MKIPPER | | 2020/07/06 | | | | |
| | 2 PLACES | | ± 0.25 | ± 0.014 | CHK'D: DSTEIER | | 2020/07/13 | | | | |
| | 1 PLACE | | ± 0.36 | ± | APPR: FSMITH | | 2020/07/13 | | | | |
| 0 PLACES | | ± | ± | INITIAL REVISION: | | 2012/03/28 | | | | | |
| ANGULAR TOL | | ± | ° | DRWN: AELHAG | | 2012/04/25 | | | | | |
| DRAFT WHERE APPLICABLE MUST REMAIN WITHIN DIMENSIONS | | THIRD ANGLE PROJECTION | | DRAWING | | SERIES | | MATERIAL NUMBER | | CUSTOMER | SHEET NUMBER |
| | | | | C-SIZE | | 3191 | | SEE CHART | | GENERAL MARKET | 2 OF 3 |

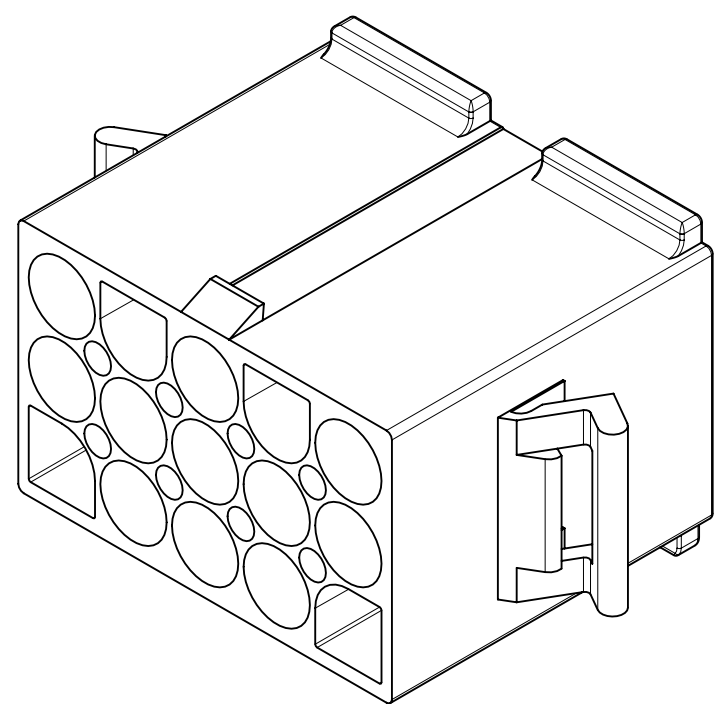
| | | |
|--------------------------|----------|----------|
| PRODUCT CUSTOMER DRAWING | | |
| DOCUMENT NUMBER | DOC TYPE | DOC PART |
| 31911500-SD | PSD | 000 |
| REVISION | A | |

| RECEPTACLE | | | |
|------------|---------------|----------|---------|
| PART NO. | ENG. NO. | MATERIAL | COLOR |
| 19-09-1159 | 3191-15R1 | UL94V-2 | NATURAL |
| 19-09-1156 | 3191-15R1-201 | UL94V-0 | IVORY |
| | | | |
| | | | |

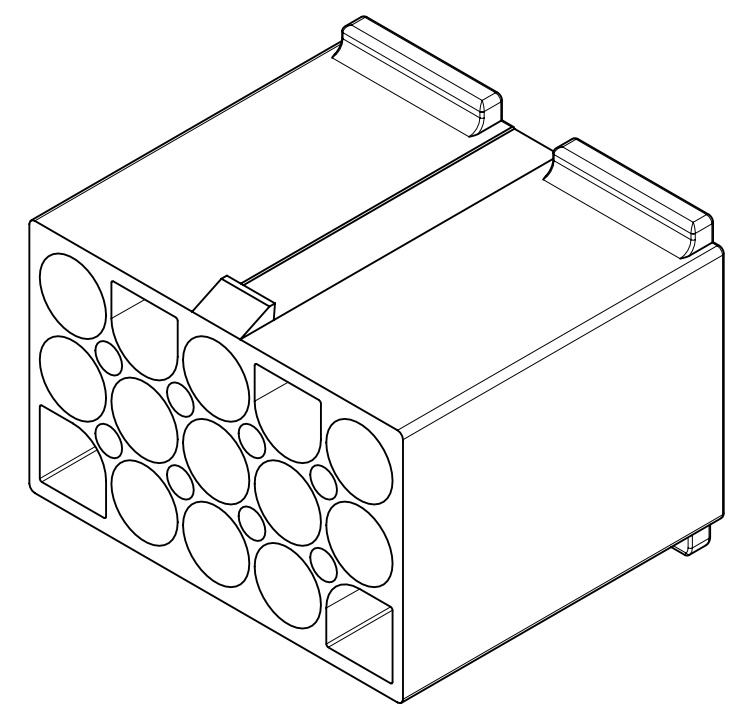
| PLUG | | | | |
|------------|--------------|---------------|----------|---------|
| PART NO. | ENG. NO. | MOUNTING EARS | MATERIAL | COLOR |
| 19-09-2158 | 3191-15P | YES | UL94V-2 | NATURAL |
| 19-09-2159 | 3191-15P1 | NO | UL94V-2 | NATURAL |
| 19-09-2157 | 3191-15P-201 | YES | UL94V-0 | IVORY |
| | | | | |
| | | | | |



RECEPTACLE HOUSING



PLUG PREBENT EARS



PLUG NO EARS

- NOTES:
1. MATERIAL: NYLON 6/6, SEE CHART FOR UL94 RATING AND COLOR
 2. FINISH: N/A
 3. PRODUCT SPECIFICATION: PS-02-09
 4. PACKAGING SPECIFICATION: 31910002-PK
 5. THIS HOUSING FOR USE WITH MOLEX .093/(2.36) DIA. TERMINALS.
 6. PARTS CONFORM TO CLASS B REQUIREMENTS OF COSMETIC SPECIFICATION PS-45499-002.
 7. TEXT ON PART IS FOR REFERENCE ONLY. TEXT AND TEXT LOCATION MAY VARY DEPENDING ON PART NUMBER AND/OR TOOL.
 8. THIS DRAWING REPLACES SD-3191-15R1*-* AND SD-3191-15P*-*.

| | | | | | | | | | | | | | | | | | | | |
|--|---|------|---------------------|---------|---------------------------------|-----------------|------------|------------------------|---------------|--------------|----------------|-----------------|------------|-------------------|------------|----------|--|--|--|
| FUNCTIONAL SYMBOLS FA = 0 FC = 0 FP = 0 | THIS DRAWING CONTAINS INFORMATION THAT IS PROPRIETARY TO MOLEX ELECTRONIC TECHNOLOGIES, LLC AND SHOULD NOT BE USED WITHOUT WRITTEN PERMISSION | | | | CURRENT REV DESC: RECRATE IN NX | | | | | | | | | | | | | | |
| | DIMENSION UNITS MM/INCH | | SCALE 1:1 | | EC NO: 639672 | | | | | | | | 2019/10/09 | | | | | | |
| | GENERAL TOLERANCES (UNLESS SPECIFIED) | | | | | | | | DRWN: MKIPPER | | | | 2020/07/06 | | | | | | |
| | 4 PLACES ± | | MM | | INCH | | 3 PLACES ± | | ± 0.01 | | CHK'D: DSTEIER | | | | 2020/07/13 | | | | |
| 2 PLACES ± | | 0.25 | | ± 0.014 | | 1 PLACE ± | | 0.36 | | APPR: FSMITH | | | | INITIAL REVISION: | | | | | |
| 0 PLACES ± | | ± | | ± | | ANGULAR TOL ± ° | | ± | | DRWN: AELHAG | | | | 2012/03/28 | | | | | |
| DRAFT WHERE APPLICABLE MUST REMAIN WITHIN DIMENSIONS | | | | | | | | THIRD ANGLE PROJECTION | | | | DRAWING | | | | SERIES | | | |
| C-SIZE | | | | | | | | 3191 | | | | MATERIAL NUMBER | | | | CUSTOMER | | | |
| SEE CHART | | | | | | | | GENERAL MARKET | | | | SHEET NUMBER | | | | 3 OF 3 | | | |