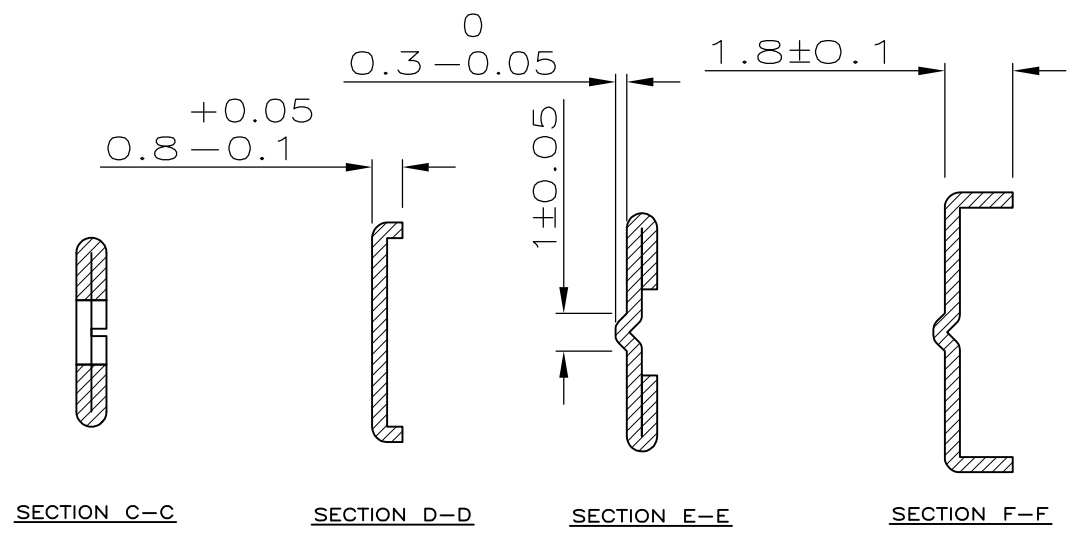
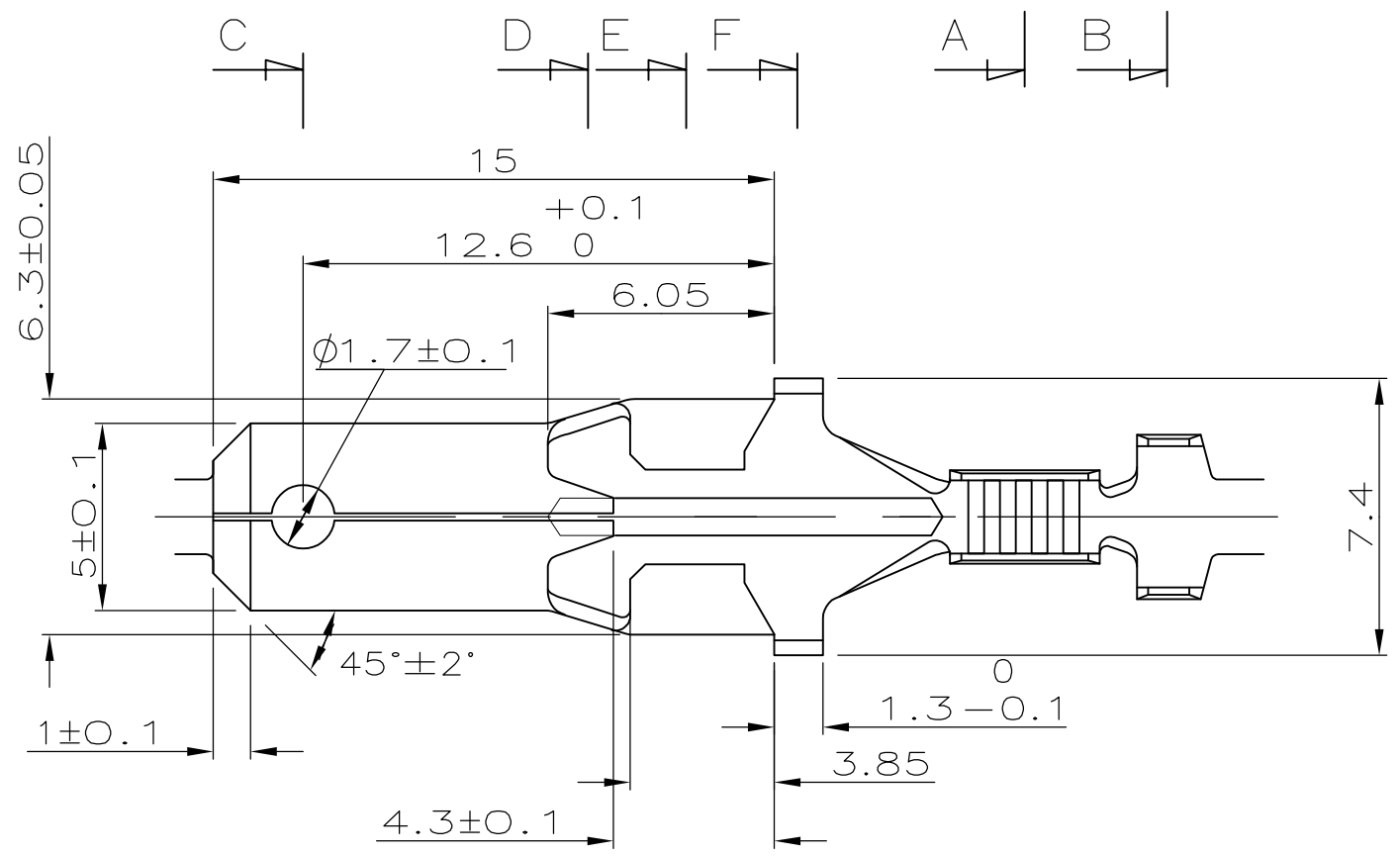
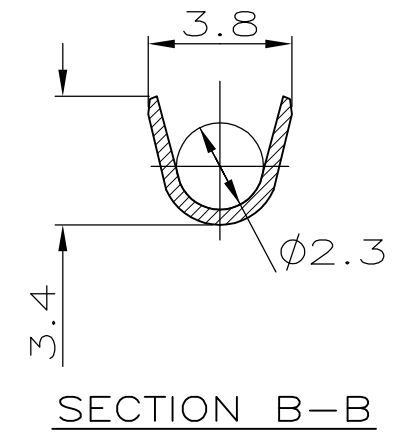
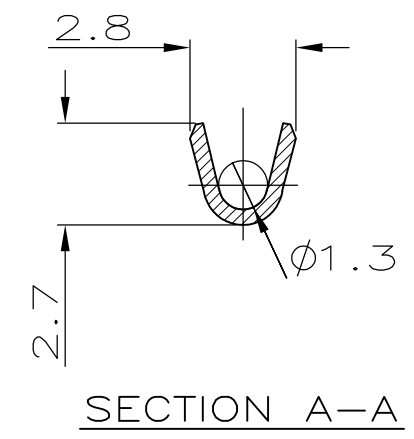
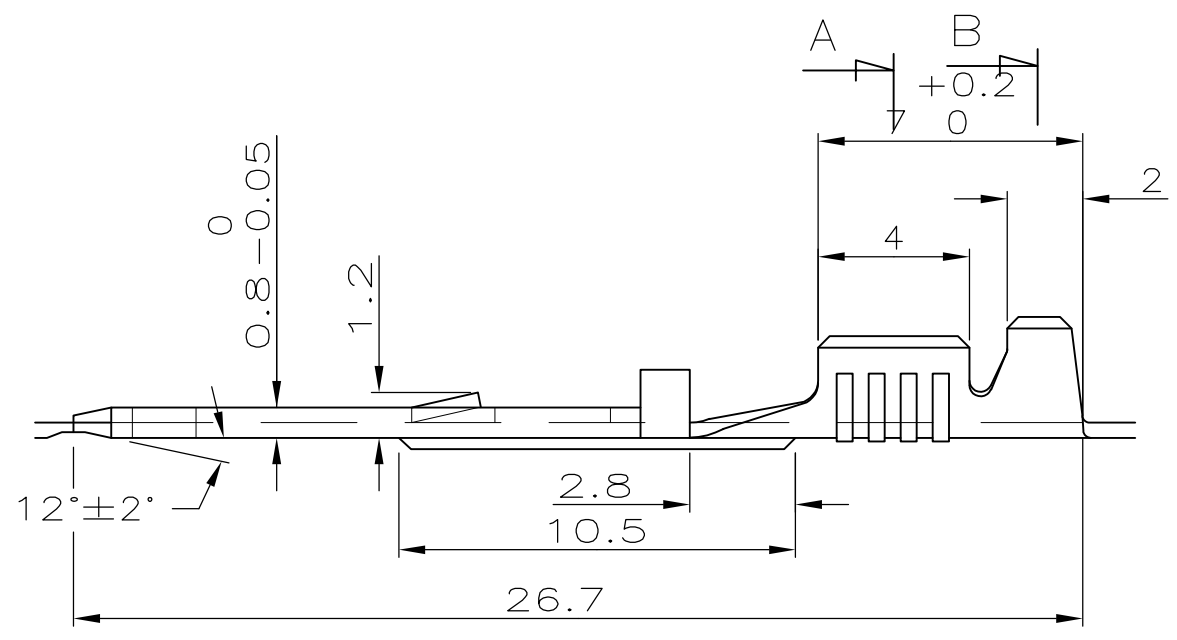


THIS DRAWING IS UNPUBLISHED. RELEASED FOR PUBLICATION
 © COPYRIGHT - By - ALL RIGHTS RESERVED.

REVISIONS					
P	LTR	DESCRIPTION	DATE	DWN	APVD
	A	REVISED PER ECR-15-016360	10MAR2016	NK	LP



OBSOLETE	PRE ETAME (PRE TIN)	144838-2
	BRUT (PLAIN)	144838-1
	FINITION (FINISH)	REFERENCE

THIS DRAWING IS A CONTROLLED DOCUMENT.		DWN J CJ	11/05/93	STE TE Connectivity	
DIMENSIONS: mm		CHK -	APVD -		
TOLERANCES UNLESS OTHERWISE SPECIFIED:		PRODUCT SPEC		LANG. DE 5 POUR BOITIER DBL. VERR. (TAB 5mm FOR DBL. LOCKING HOUSING)	
0 PLC ± 0.3		APPLICATION SPEC		SIZE	CAGE CODE
1 PLC ± -		MATERIAL		DRAWING NO	RESTRICTED TO
2 PLC ± -		FINISH		A3	00779
3 PLC ± -		LAITON UZ15 EP. 0.4 (BRASS UZ15 0.4 THK)		C=	144838
4 PLC ± -		DIMS. FIL 0.35 TO 1mm		CUSTOMER DRAWING	
ANGLES ± 5'		ISOLANT 1.3 x 2.1		SCALE	SHEET
				5:1	1 OF 1
				REV A	