

ACCELERATE THE SPEED OF CIRCUIT DESIGN... OSCILLATORS IN SECONDS, NOT DAYS!

The MEMSpeed Pro oscillators operate down to 4mA with 1uA standby current!



Introducing the MEMSpeed Pro, Low Power Oscillator Programmer. The Oscillator Programming Kit includes all hardware and software necessary for the user to easily program custom oscillator frequencies in the field, or in the lab.

FEATURES

 **MEMS Oscillator Programming Kit featuring Discera Pure Silicon Resonator Technology.**

Field Programmable Output Frequencies
User specified from 1 to 150MHz

Programmable Supply Voltage Range
1.8, 2.5, and 3.3v operation

Standard SMD Package Sizes
2.5 x 2.0mm, 3.2 x 2.5mm, 5.0 x 3.2mm and 7.0 x 5.0mm

PC/USB Interface
Microsoft Windows™ compatible software

Includes Programmer and All Hardware
QuickStart Guide, Socket Adapters, USB Cable, Tweezers, CD-ROM and Blank Oscillators.

SPECIFICATIONS

Frequency Range	1.0000 to 150.0000MHz
Power Supply	USB Driven
Programmable Operating / Supply Voltage Range	1.8v, 2.5v, and 3.3v
Oscillator Packages	2.5 x 2.0mm SMD 3.2 x 2.5 mm SMD 5.0 x 3.2 mm SMD 7.0 x 5.0mm SMD
Oscillator Blank Part Number	ASFLM-Blank, ASEM-Blank ASDM-Blank, ASVM-Blank
Socket Adapters (ZIF)	ASFLM-Adapter, ASEM-Adapter ASDM-Adapter, ASVM-Adapter
Programming Time	Approx. 1 sec / pc
User Interface	USB (MS Windows XP & Vista) - or - Stand Alone (display menu)
Programmer Size	6" x 3.5" x 1"

For ordering information contact Abracon or our stocking distributors.



REVISION: 05/07/10

30332 Esperanza, Rancho Santa Margarita, California 92688
tel 949-546-8000 fax 949-546-8001 | www.abracon.com



MEMSPEED PRO

Clock Oscillator Programmer

Looking for the lowest power oscillators?...

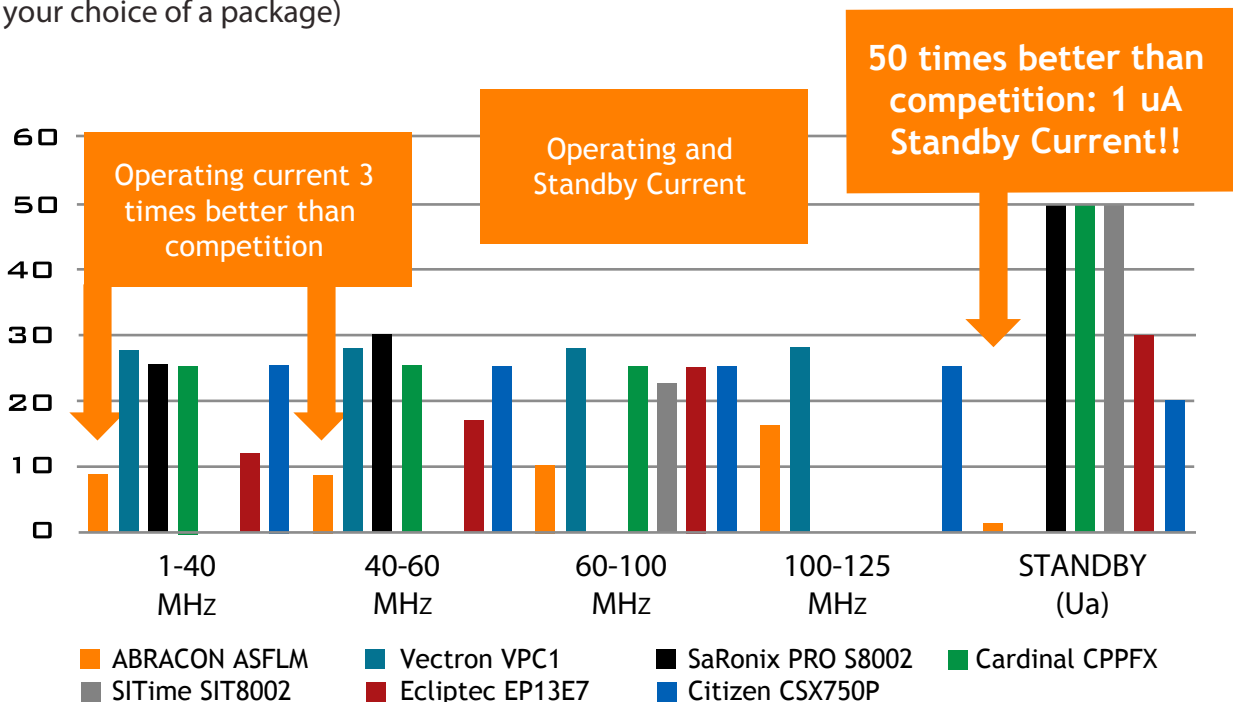
New programming kit allows you to program parts to any frequency between 1 and 150 MHz In 1 second!!!

\$499 MEMSpeed Pro™ Deluxe Kit includes:

- MEMSpeed Pro
- Package Types Include a choice of: 5.0 x 3.2 and 3.2 x 2.5mm, 5.0 x 3.2 and 2.5 x 2.0mm, 3.2 x 2.5 and 2.5 x 2.0mm, 7.0 x 5.0 and 5.0 x 3.2mm, 7.0 x 5.0 and 3.2 x 2.5mm, or 7.0 x 5.0 and 2.5 x 2.0mm.
- USB Cable
- Tweezers
- Quickstart Guide and CD-ROM for PC Installation
- 200 unprogrammed blank oscillators - \$500 value! (100 pcs each of your choice of two packages)

\$319 MEMSpeed Pro™ Standard Kit includes:

- MEMSpeed Pro
- Package Types Includes a choice of: 7.0 x 5.0mm, 5.0 x 3.2mm, 3.2 x 2.5mm, or 2.5 x 2.0mm.
- USB Cable
- Tweezers
- Quickstart Guide and CD-ROM for PC Installation
- 50 unprogrammed blank oscillators - \$125 value! (50 pcs of your choice of a package)



* Information provided is based on published specification data and is provided for reference only. No warranty is implied.

REVISION: 05/07/10

30332 Esperanza, Rancho Santa Margarita, California 92688
 tel 949-546-8000 fax 949-546-8001 | www.abracon.com



ULTRA MINIATURE PLASTIC PACKAGE PURE SILICON™ CLOCK OSCILLATOR

ASDM



Life Size

2.5 x 2.0 x 0.80mm

ASDM



RoHS
Compliant

FEATURES:

- Ultra Miniature Pure Silicon™ Clock Oscillator
- MEMS Technology by Discera
- Low Power Consumption <10mA
- Exceptional Stability Over Temp. at 40 to +85°C
- Available over Extended Operating Temperature
- Available in 30kG Shock Resistance Configuration
- Low Cost-Compact QFN Plastic Packaging
- Compact Package design

APPLICATIONS:

- CCD Clock for VTR Camera
- Equipment Connected to PCs
- Low Profile Equipment
- Lower Cost Crystal Oscillator Replacement
- Computers and Peripherals
- Portable Electronics (MP3 Players, Games)
- Consumer Electronics such as TV's, DVR's, etc.
- Vibrant, Shock-Prone & Humid Environments for Industrial Equipment
- Demanding Military & Automotive Electronics

**MEMS
Technology!**

STANDARD SPECIFICATIONS:

PARAMETERS

ABRACON P/N:	ASDM Series
Frequency range:	1.000 MHz - 150 MHz
Operating temperature:	0°C to + 70°C (see options)
Storage temperature:	-55°C to +150°C
Overall Frequency Stability:	± 100 ppm max. (see options)
Supply Voltage (Vdd):	See options
Supply Current (No Load)	3.0mA typ, 10.0mA max (1.0 to 39.9999MHz) 4.0mA typ, 10.0mA max (40.0 to 79.9999MHz) 5.0mA typ, 10.0mA max (80.0 to 124.9999MHz) 6.0mA typ, 10.0mA max (125.0 to 150MHz) (T=+25°C, C _L =0pF, R _L =∞, Vdd=3.3 ± 0.3V, 3.0 ± 0.3V, 2.8 ± 0.2V, 2.5 ± 0.2V, 1.8 ± 0.15V)
Symmetry	45/55 % max.@ 1/2Vdd
Rise and fall time (Tr/Tf)	1.3ns typ, 5ns max. (+25°C, 15pF output load, 20/80% Vdd.)
Output load	15 pF max., 10kohms min.
Output voltage	VOH = 0.8* Vdd min. ; VOL = 0.2* Vdd max.
Input voltage	VIH = 0.75* Vdd min. ; VIL = 0.25* Vdd max.
Start-up time	3.0ms typ, 10ms max.
Disable time	20ns typ, 100ns max.
Tr-istate function (Stand-by)	"1" or open: Oscillation "0" : No oscillation/Hi Z
Stand-by Current	1uA max.
Aging at +25°C/year	± 5ppm max. (T=+25 C, Vdd=3.3 ± 0.3V, 3.0 ± 0.3V, 2.8 ± 0.2V, 2.5 ± 0.2V, 1.8 ± 0.15V)
Jitter (reference only):	100MHz: 95 ps

Absolute Maximum Ratings

Item	Min.	Max	Unit	Condition
Supply Voltage	-0.3	+4.0	V	
Input Voltage	-0.3	VDD+0.3	V	
Junction Temp	-	+150	°C	
Storage Temp	-55	+150	°C	
Soldering Temp	-	+260	°C	40 sec max.
ESD				
HBM	-	2000	V	
MM	-	200		
CDM	-	500		

ABRACON IS
ISO9001:2008
CERTIFIED



**ABRACON
CORPORATION**

Visit www.abracon.com for Terms & Conditions of Sale **Revised: 05.07.10**
30332 Esperanza, Rancho Santa Margarita, California 92688
tel 949-546-8000 | fax 949-546-8001 | www.abracon.com

ULTRA MINIATURE PLASTIC PACKAGE PURE SILICON™ CLOCK OSCILLATOR

ASDM



ASDM



RoHS
Compliant

Life Size

2.5 x 2.0 x 0.80mm

OPTIONS AND PART IDENTIFICATION:

PART NUMBER FOR PROGRAMMED ORDERS

ASDM□ - Frequency - □ - □ - □

Supply Voltage		Frequency	Operating Temp.		Freq. Stability		Packaging	
1	3.3 ± 0.3V	e.g. 14.3181 MHz (Maximum 4 digits after decimal)	Blank	0°C to +70°C	Blank	± 100 ppm	Blank	Tube (140pcs/tube)
2	3.0 ± 0.3V		E	-20°C to +70°C	C	± 50 ppm	T	Tape and Reel (1000pcs/reel)
3	2.5 ± 0.2V		L	-40°C to +85°C	R	± 25 ppm		
4	1.8 ± 0.15V							
5	2.8 ± 0.2V							

Please contact Abracon for order assistance for high shock application.

PART NUMBER FOR UN-PROGRAMMED ORDERS

Blank un-programmed oscillators and our low cost portable programmer are available for quick turn engineering requirements.

Please call ABRACON or visit **MEMSpeed Pro** site <http://www.abracon.com/memspeedpro/memspeedpro.html> for more information.

ASDM - BLANK - □□ - □

Operating Temp. Freq. Stability		Packaging	
EC	± 50 ppm / -20°C to +70°C	Blank	Tube (140pcs/tube)
ER	± 25 ppm / -20°C to +70°C	T	Tape and Reel (1000pcs/reel)
LC	± 50 ppm / -40°C to +85°C		
LR	± 25 ppm / -40°C to +85°C		

ULTRA MINIATURE PLASTIC PACKAGE PURE SILICON™ CLOCK OSCILLATOR

ASDM



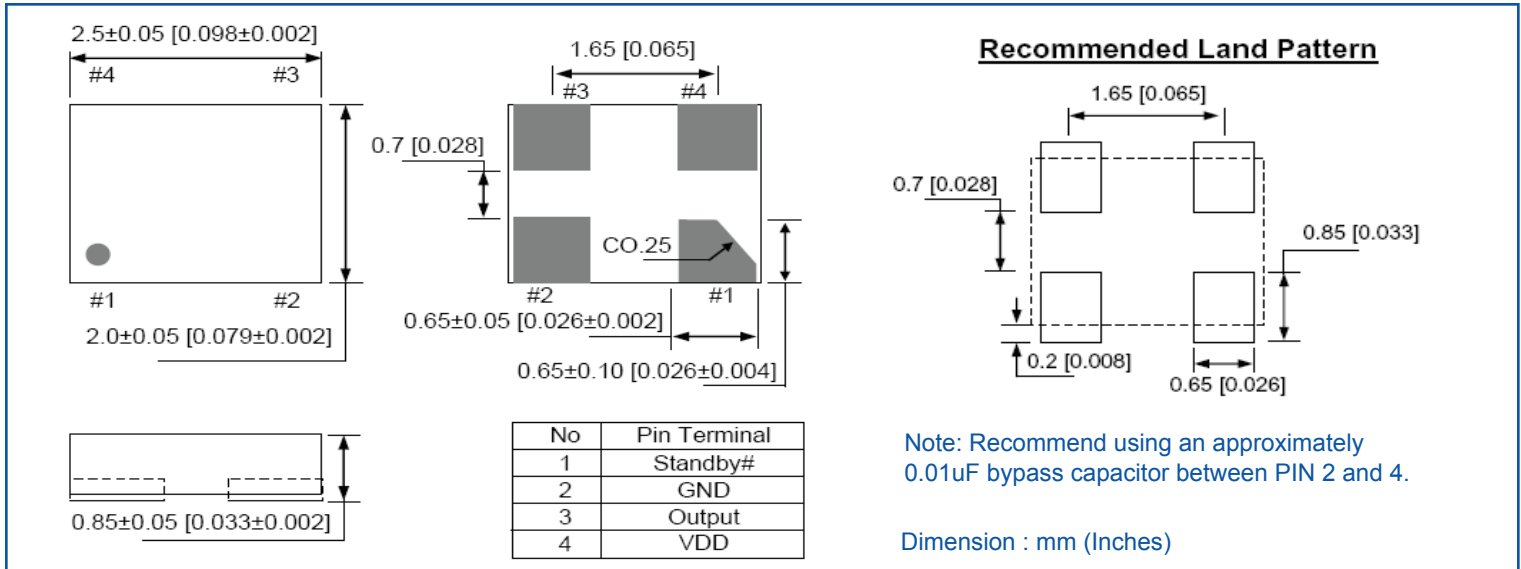
Life Size

2.5 x 2.0 x 0.80mm

ASDM

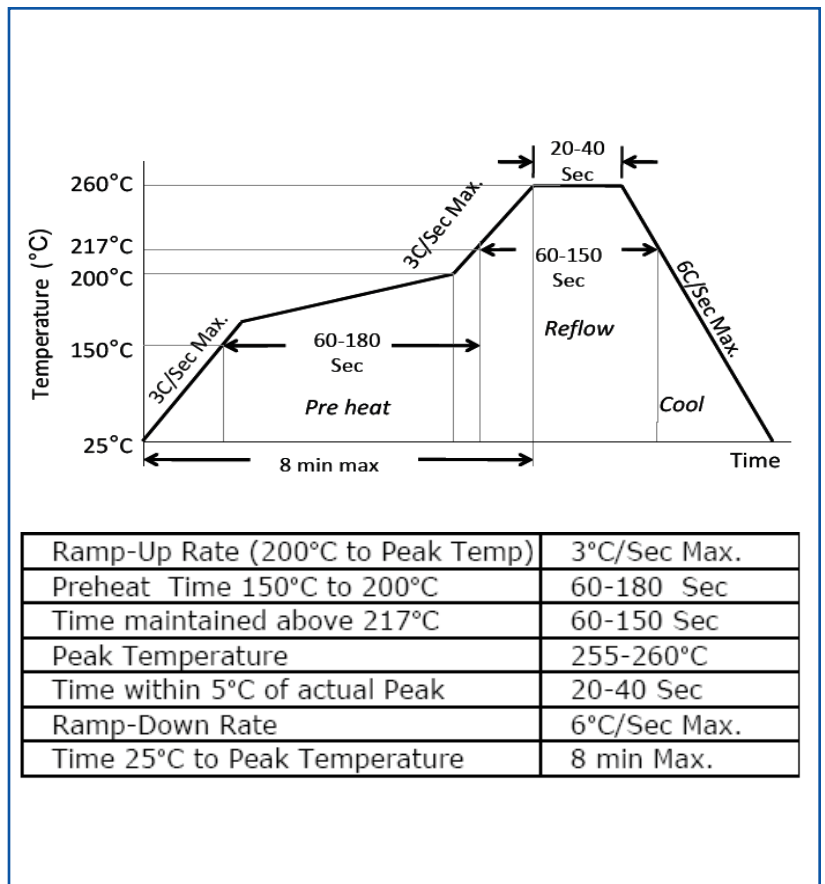
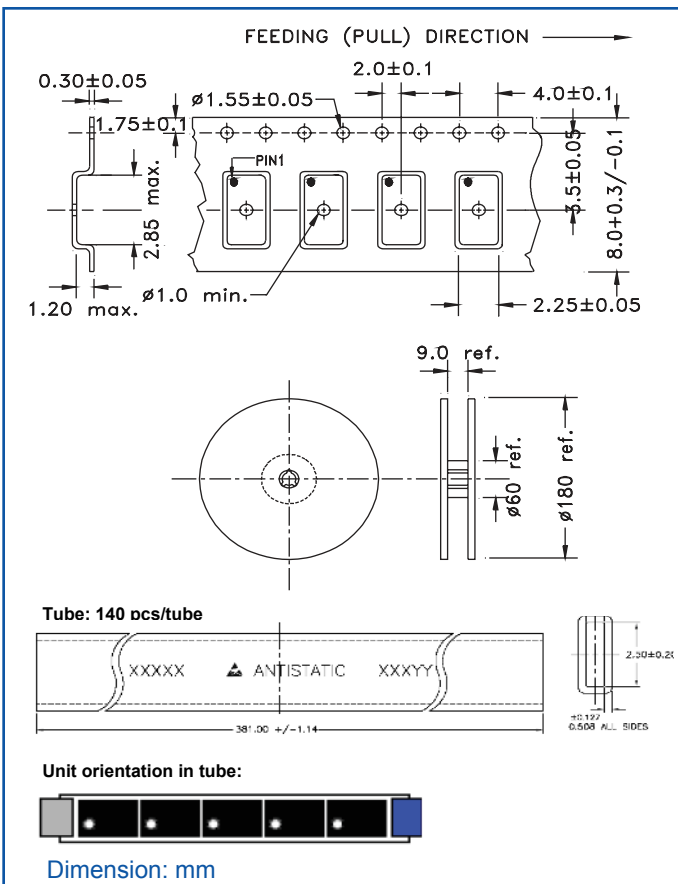


OUTLINE DRAWING:



TAPE & REEL: Tape and reel 1,000pcs/reel

REFLOW PROFILE:



Need a test socket for the ASDM Series? To view compatible **PRECISION TEST & BURN-IN SOCKETS** for these parts, [click here](#).

NOTE: Abracon manufactured products are intended for general commercial and industrial use. For applications requiring high reliability and/or presenting extreme operating environment, written consent & authorization from Abracon is required.

ABRACON IS
ISO9001:2008
CERTIFIED



Visit www.abracon.com for Terms & Conditions of Sale **Revised: 05.07.10**
30332 Esperanza, Rancho Santa Margarita, California 92688
tel 949-546-8000 | fax 949-546-8001 | www.abracon.com

ULTRA MINIATURE PLASTIC PACKAGE PURE SILICON™ CLOCK OSCILLATOR

ASEM



Life Size

3.2 x 2.5 x 0.85mm

ASEM



RoHS
Compliant

FEATURES:

- Ultra Miniature Pure Silicon™ Clock Oscillator
- MEMS Technology by Discera
- Low Power Consumption <10mA
- Exceptional Stability Over Temp. at -40 to +85°C.
- Available over Extended Operating Temperature
- Available in 30kG Shock Resistance Configuration
- Low Cost-Compact QFN Plastic Packaging
- Compact Package design

APPLICATIONS:

- CCD Clock for VTR Camera
- Equipment Connected to PCs
- Low Profile Equipment
- Lower Cost Crystal Oscillator Replacement
- Computers and Peripherals
- Portable Electronics (MP3 Players, Games)
- Consumer Electronics such as TV's, DVR's, etc.
- Vibrant, Shock-Prone & Humid Environments for Industrial Equipment
- Demanding Military & Automotive Electronics

MEMSPEED PRO™
Clock Oscillator Programmer
AVAILABLE NOW!

STANDARD SPECIFICATIONS:

PARAMETERS

ABRACON P/N:	ASEM Series
Frequency range:	1.000 MHz - 150 MHz
Operating temperature:	0°C to + 70°C (see options)
Storage temperature	-55° C to + 150° C
Overall Frequency Stability:	± 100 ppm max. (see options)
Supply Voltage (Vdd):	See options
Supply Current (No Load)	3.0mA typ, 10.0mA max (1.0 to 39.9999MHz) 4.0mA typ, 10.0mA max (40.0 to 79.9999MHz) 5.0mA typ, 10.0mA max (80.0 to 124.9999MHz) 6.0mA typ, 10.0mA max (125.0 to 150MHz) (T=+25°C, C _L =0pF, R _L =∞, Vdd=3.3 ± 0.3V, 3.0 ± 0.3V, 2.8 ± 0.2V, 2.5 ± 0.2V, 1.8 ± 0.15V)
Symmetry	45/55 % max.@ 1/2Vdd
Rise and fall time (Tr/Tf)	1.3ns typ, 2ns max. (+25°C, C _L =15pF, 20/80% Vdd.)
Output load:	15 pF max, 10 kΩ min.
Output voltage:	VOH = 0.8* Vdd min. ; VOL = 0.2* Vdd max.
Input voltage	VIH = 0.75* Vdd min. ; VIL = 0.25* Vdd max.
Start-up time	3.0ms typ, 10ms max.
Disable time	20ns typ, 100ns max.
Tri-State function (Stand-by)	"1" or open: Oscillation; "0" : No oscillation/Hi Z
Stand-by Current	1uA max. (T=+25° C, Vdd=3.3 ± 0.3V, 3.0 ± 0.3V, 2.8 ± 0.2V, 2.5 ± 0.2V, 1.8 ± 0.15V)
Aging at +25°C/year	± 5ppm max.
Jitter (reference only)	100MHz: 95 ps

Absolute Maximum Ratings

Item	Min.	Max	Unit	Condition
Supply Voltage	-0.3	+4.0	V	
Input Voltage	-0.3	VDD+0.3	V	
Junction Temp	-	+150	°C	
Storage Temp	-55	+150	°C	
Soldering Temp	-	+260	°C	40 sec max.
ESD				
HBM	-	2000	V	
MM	-	200		
CDM	-	500		

ABRACON IS
ISO9001:2008
CERTIFIED



ABRACON
CORPORATION

Visit www.abracon.com for Terms & Conditions of Sale **Revised: 05.07.10**
30332 Esperanza, Rancho Santa Margarita, California 92688
tel 949-546-8000 | fax 949-546-8001 | www.abracon.com

ULTRA MINIATURE PLASTIC PACKAGE PURE SILICON™ CLOCK OSCILLATOR

ASEM



Life Size

3.2 x 2.5 x 0.85mm

ASEM



RoHS
Compliant

PART NUMBER FOR PROGRAMMED ORDERES

ASEM□ - Frequency - □ - □ - □

Supply Voltage		Frequency e.g. 14.3181 MHz (Maximum 4 digits after decimal)	Operating Temp.		Freq. Stability		Packaging	
1	3.3 ± 0.3V			Blank	0°C to +70°C	Blank	± 100 ppm	Blank
2	3.0 ± 0.3V	E		-20°C to +70°C	C	± 50 ppm	T	Tape and Reel (1000pcs/reel)
3	2.5 ± 0.2V	L		-40°C to +85°C	R	± 25 ppm		
4	1.8 ± 0.15V							
5	2.8 ± 0.2V							

Please contact Abracon for order assistance for high shock application.

PART NUMBER FOR UN-PROGRAMMED ORDERES

Blank un-programmed oscillators and our low cost portable programmers are available for quick turn engineering requirements. Please call ABRACON or visit MEMSpeed Pro site <http://www.abracon.com/memspeedpro/memspeedpro.html> for more information.

ASEM - BLANK - □□ - □

Operating Temp. Freq. Stability		Packaging	
EC	± 50 ppm / -20°C to +70°C	Blank	Tube (110pcs/tube)
ER	± 25 ppm / -20°C to +70°C	T	Tape and Reel (1000pcs/reel)
LC	± 50 ppm / -40°C to +85°C		
LR	± 25 ppm / -40°C to +85°C		

MEMSPEED PRO™ Clock Oscillator Programmer

Our new MEMSpeed Pro Clock Oscillator Programmer allows you to program parts to any frequency between 1 and 150 Mhz in 1 second! Order online now at www.abracon.com.



ABRACON IS
ISO9001:2008
CERTIFIED



ABRACON
CORPORATION

Visit www.abracon.com for Terms & Conditions of Sale **Revised: 05.07.10**
30332 Esperanza, Rancho Santa Margarita, California 92688
tel 949-546-8000 | fax 949-546-8001 | www.abracon.com

ULTRA MINIATURE PLASTIC PACKAGE PURE SILICON™ CLOCK OSCILLATOR

ASEM



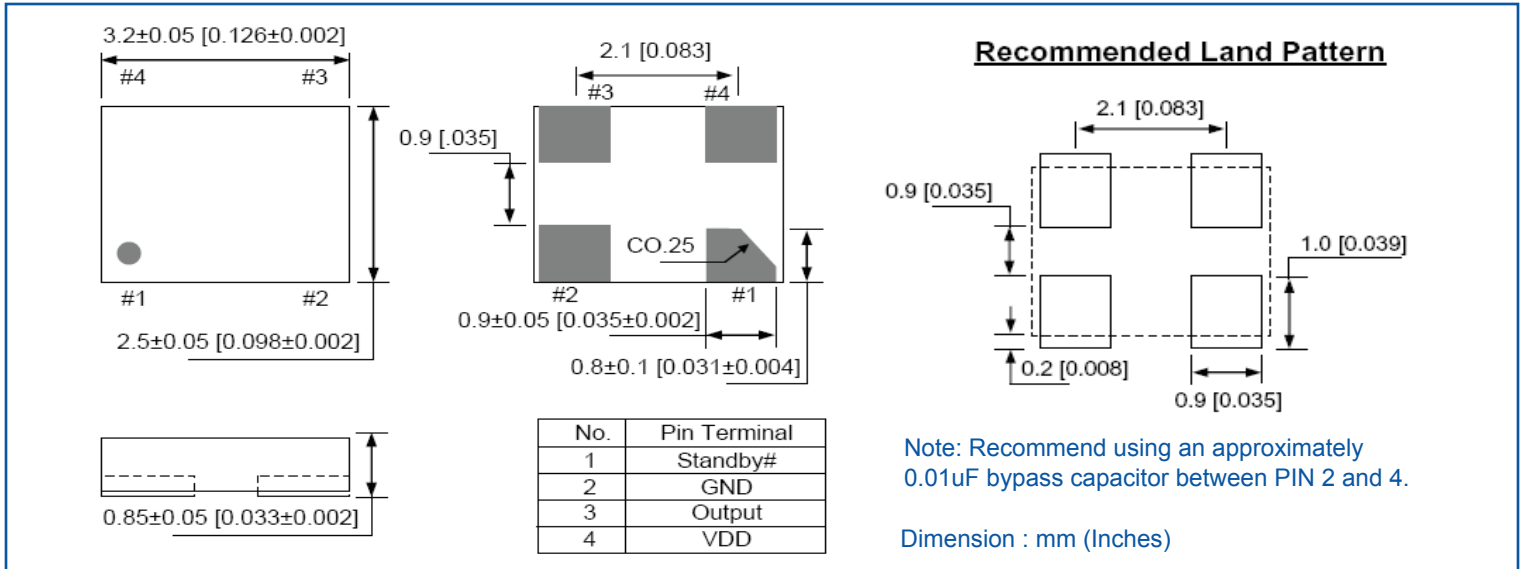
Life Size

3.2 x 2.5 x 0.85mm

ASEM

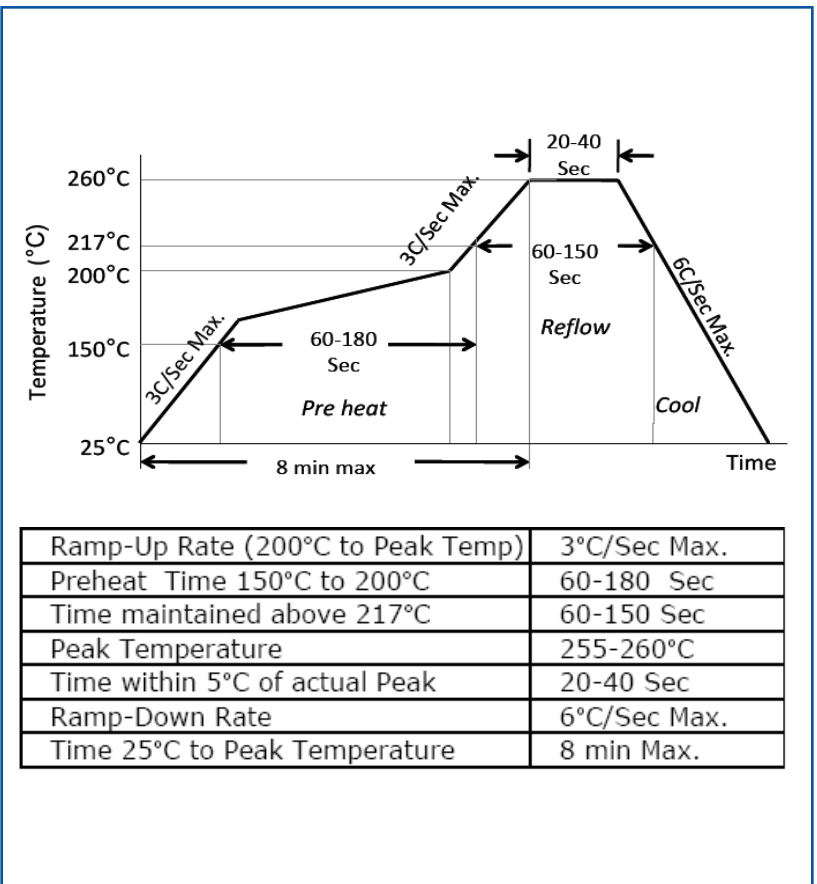
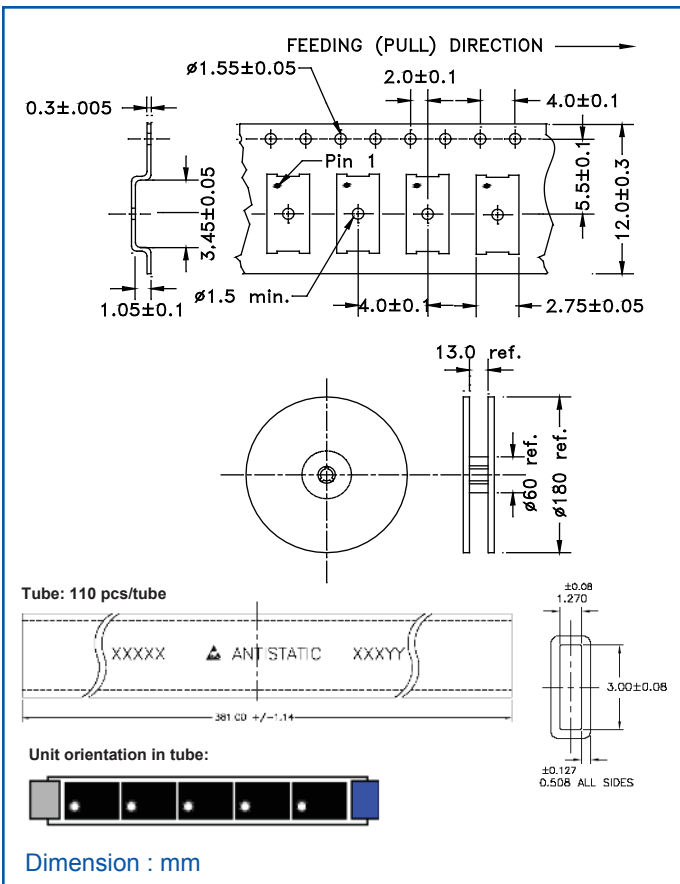


OUTLINE DRAWING:



TAPE & REEL: Tape and reel 1,000pcs/reel

REFLOW PROFILE:



Need a test socket for the ASEM Series? To view compatible **PRECISION TEST & BURN-IN SOCKETS** for these parts, [click here](#). P/N: AXS-3225-04-02

NOTE: Abracon manufactured products are intended for general commercial and industrial use. For applications requiring high reliability and/or presenting extreme operating environment, written consent & authorization from Abracon is required.

ABRACON IS
ISO9001:2008
CERTIFIED



Visit www.abracon.com for Terms & Conditions of Sale **Revised: 05.07.10**
30332 Esperanza, Rancho Santa Margarita, California 92688
tel 949-546-8000 | fax 949-546-8001 | www.abracon.com

ULTRA MINIATURE PLASTIC PACKAGE PURE SILICON™ CLOCK OSCILLATOR

ASFLM



Life Size



5.0 x 3.2 x 0.85mm

ASFLM

RoHS
Compliant

FEATURES:

- Ultra Miniature Pure Silicon™ Clock Oscillator
- MEMS Technology by Discera
- Low Power Consumption <10mA
- Low Stand by Current <1uA
- Exceptional Stability Over Temp. at 40 to +85°C
- Available over Extended Temp Range
- Available in 30kG Shock Resistance Configuration
- Low Cost-Compact QFN Plastic Packaging
- Compact Package design

APPLICATIONS:

- CCD Clock for VTR Camera
- Equipment Connected to PCs
- Low Profile Equipment
- Lower Cost Crystal Oscillator Replacement
- Computers and Peripherals
- Portable Electronics (MP3 Players, Games)
- Consumer Electronics such as TV's, DVR's, etc.
- Vibrant, Shock-Prone & Humid Environments for Industrial Equipment
- Demanding Military & Automotive Electronics

MEMSPEED PRO™
Clock Oscillator Programmer
AVAILABLE NOW!

STANDARD SPECIFICATIONS:

PARAMETERS

ABRACON P/N	ASFLM Series
Frequency range	1.000 MHz to 150 MHz
Operating temperature	0°C to + 70°C (see options)
Storage temperature:	-55° C to + 150 C
Overall Frequency Stability	± 100 ppm max. (see options)
Supply Voltage (Vdd)	See options
Supply Current (No Load)	3.0mA typ, 10.0mA max (1.0 to 39.9999MHz) 4.0mA typ, 10.0mA max (40.0 to 79.9999MHz) 5.0mA typ, 10.0mA max (80.0 to 124.9999MHz) 6.0mA typ, 10.0mA max (125.0 to 150MHz) (T=+25°C, C _L =0pF, R _L =∞, Vdd=3.3 ± 0.3V, 3.0 ± 0.3V, 2.8 ± 0.2V, 2.5 ± 0.2V, 1.8 ± 0.15V)
Symmetry	45/55 % max.@ 1/2Vdd
Rise and fall time (Tr/Tf)	1.3ns typ, 2ns max. (+25°C, C _L =15pF, 20/80% Vdd.)
Output load	15 pF max, 10 kohms min.
Output voltage:	VOH = 0.8* Vdd min. ; VOL = 0.2* Vdd max.
Input voltage:	VIH = 0.75* Vdd min. ; VIL = 0.25* Vdd max.
Start-up time	3.0ms typ, 10ms max.
Disable time	20ns typ, 100ns max.
Tri-State function (Stand-by)	"1" or open: Oscillation; "0" : No oscillation/Hi Z
Stand-by Current	1uA max. (T=+25° C, Vdd=3.3 ± 0.3V, 3.0 ± 0.3V, 2.8 ± 0.2V, 2.5 ± 0.2V, 1.8 ± 0.15V)
Aging at +25°C/year	± 5ppm max.
Jitter (Cycle to Cycle, reference only):	100MHz: 95 ps

Absolute Maximum Ratings

Item	Min.	Max	Unit	Condition
Supply Voltage	-0.3	+4.0	V	
Input Voltage	-0.3	VDD+0.3	V	
Junction Temp	-	+150	°C	
Storage Temp	-55	+150	°C	
Soldering Temp	-	+260	°C	40 sec max.
ESD				
HBM	-	2000	V	
MM	-	200		
CDM	-	500		

ABRACON IS
ISO9001:2008
CERTIFIED



ABRACON
CORPORATION

Visit www.abracon.com for Terms & Conditions of Sale **Revised: 05.07.10**
30332 Esperanza, Rancho Santa Margarita, California 92688
tel 949-546-8000 | fax 949-546-8001 | www.abracon.com

ULTRA MINIATURE PLASTIC PACKAGE PURE SILICON™ CLOCK OSCILLATOR

ASFLM



Life Size 
5.0 x 3.2 x 0.85mm

ASFLM



PART NUMBER FOR PROGRAMMED ORDERS

ASFLM□ - Frequency - □ - □ - □

Supply Voltage		Frequency e.g. 14.3181 MHz (Maximum 4 digits after decimal)	Operating Temp.		Freq. Stability		Packaging	
1	3.0 ± 0.3V			Blank	0°C to +70°C	Blank	± 100 ppm	Blank
2	3.3 ± 0.3V	E		-20°C to +70°C	C	± 50 ppm	T	Tape and Reel (1000pcs/reel)
3	2.5 ± 0.2V	L		-40°C to +85°C	R	± 25 ppm		
4	1.8 ± 0.15V							
5	2.8 ± 0.2V							

Please contact Abracon for order assistance for high shock application.

PART NUMBER FOR UN-PROGRAMMED ORDERS

Blank un-programmed oscillators and our low cost portable programmer are available for quick turn engineering requirements. Please call ABRACON or visit our MEMSpeedPro site at <http://www.abracon.com/memspeedpro/memspeedpro.html> for more information.

ASFLM - BLANK - □□ - □

Operating Temp. Freq. Stability		Packaging	
EC	± 50 ppm / -20°C to +70°C	Blank	Tube (72pcs/tube)
ER	± 25 ppm / -20°C to +70°C	T	Tape and Reel (1000pcs/reel)
LC	± 50 ppm / -40°C to +85°C		
LR	± 25 ppm / -40°C to +85°C		

MEMSPEED PRO™ Clock Oscillator Programmer

Our new MEMSpeed Pro Clock Oscillator Programmer allows you to program parts to any frequency between 1 and 150 Mhz in 1 second! Order online now at www.abracon.com.



ABRACON IS
ISO9001:2008
CERTIFIED



Visit www.abracon.com for Terms & Conditions of Sale **Revised: 05.07.10**
30332 Esperanza, Rancho Santa Margarita, California 92688
tel 949-546-8000 | fax 949-546-8001 | www.abracon.com

ULTRA MINIATURE PLASTIC PACKAGE PURE SILICON™ CLOCK OSCILLATOR

ASFLM

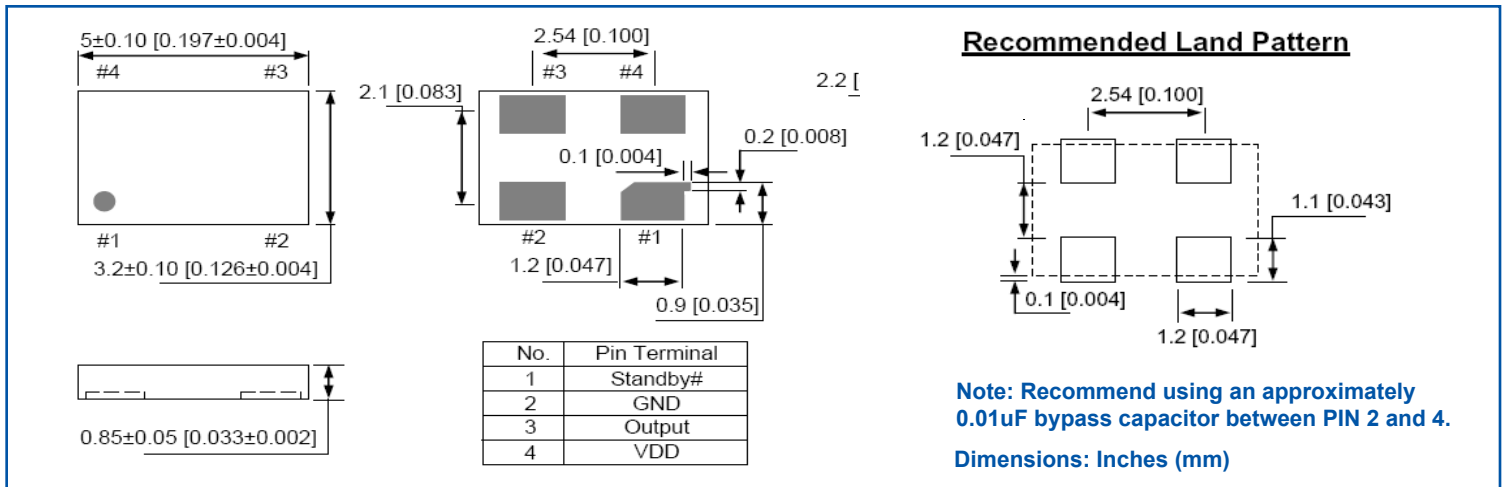


Life Size 
5.0 x 3.2 x 0.85mm

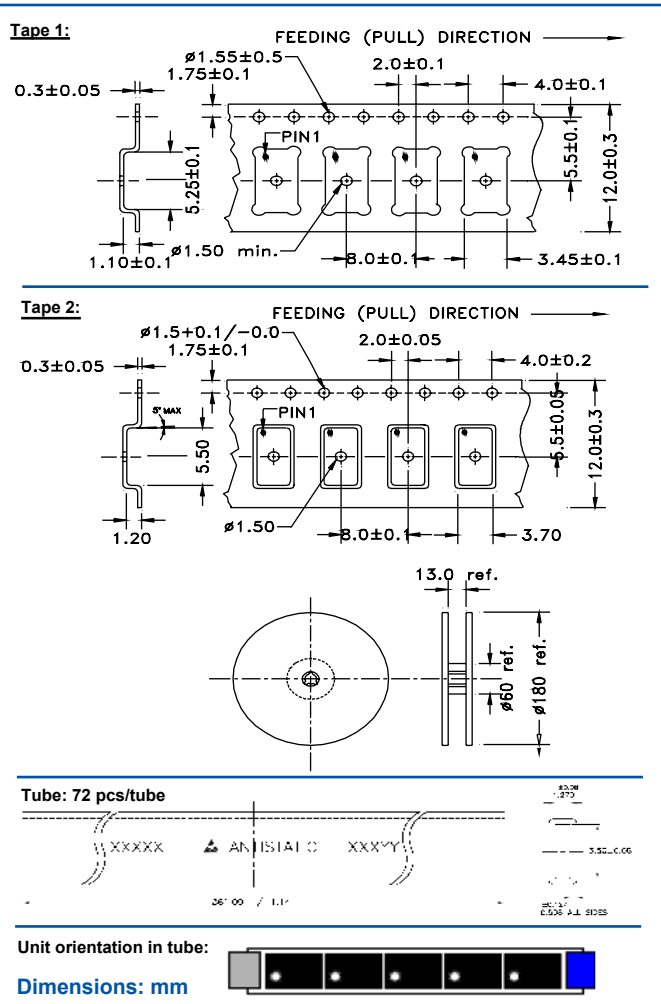
ASFLM



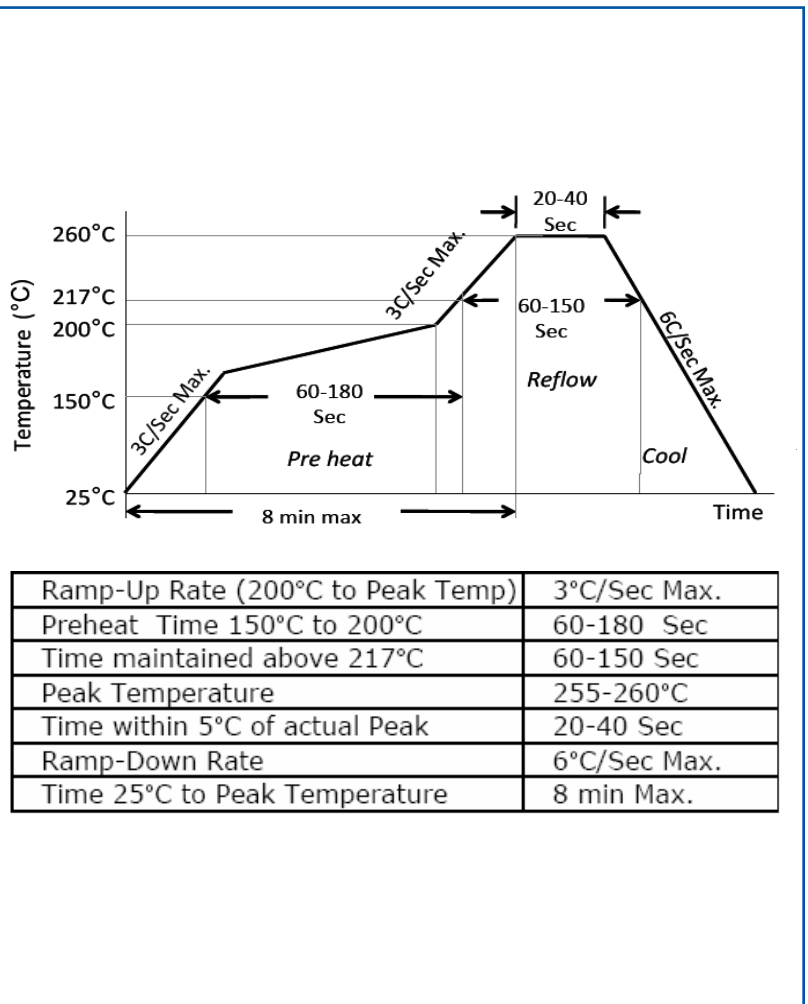
OUTLINE DRAWING:



TAPE & REEL:



REFLOW PROFILE:



Need a test socket for the ASFLM Series? To view compatible **PRECISION TEST & BURN-IN SOCKETS** for these parts, [click here](#). P/N: **AXS-5032-04-07**

NOTE: Abracon manufactured products are intended for general commercial and industrial use. For applications requiring high reliability and/or presenting extreme operating environment, written consent & authorization from Abracon is required.

ABRACON IS
ISO9001:2008
CERTIFIED



Visit www.abracon.com for Terms & Conditions of Sale **Revised: 05.07.10**
30332 Esperanza, Rancho Santa Margarita, California 92688
tel 949-546-8000 | fax 949-546-8001 | www.abracon.com

PLASTIC PACKAGE PURE SILICON™ CLOCK OSCILLATOR

ASVM



7.0x 5.0 x 0.85 mm

ASVM



RoHS
Compliant

FEATURES:

- Pure Silicon™ Clock Oscillator
- MEMS Technology by Discera
- Low Power Consumption <10mA
- Low Stand by Current <1uA
- Exceptional Stability Over Temp. at 40 to +85°C
- Available over Extended Temp Range
- Available in 30kG Shock Resistance Configuration
- Low Cost-Compact QFN Plastic Packaging
- Compact Package design

APPLICATIONS:

- CCD Clock for VTR Camera
- Equipment Connected to PCs
- Low Profile Equipment
- Lower Cost Crystal Oscillator Replacement
- Computers and Peripherals
- Portable Electronics (MP3 Players, Games)
- Consumer Electronics such as TV's, DVR's, etc.
- Vibrant, Shock-Prone & Humid Environments for Industrial Equipment
- Demanding Military & Automotive Electronics

MEMSPEED PRO™
Clock Oscillator Programmer
AVAILABLE NOW!

STANDARD SPECIFICATIONS:

PARAMETERS

ABRACON P/N	ASVM Series
Frequency range	1.000 MHz to 150 MHz
Operating temperature	0°C to + 70°C (see options)
Storage temperature:	-55° C to + 150 C
Overall Frequency Stability	± 100 ppm max. (see options)
Supply Voltage (Vdd)	See options
Supply Current (No Load)	3.0mA typ, 10.0mA max (1.0 to 39.9999MHz) 4.0mA typ, 10.0mA max (40.0 to 79.9999MHz) 5.0mA typ, 10.0mA max (80.0 to 124.9999MHz) 6.0mA typ, 10.0mA max (125.0 to 150MHz) (T=+25°C, C _L =0pF, R _L =∞, Vdd=3.3 ± 0.3V, 3.0 ± 0.3V, 2.8 ± 0.2V, 2.5 ± 0.2V, 1.8 ± 0.15V)
Symmetry	45/55 % max. @ 1/2Vdd
Rise and fall time (Tr/Tf)	1.3ns typ, 2ns max. (+25°C, C _L =15pF, 20/80% Vdd.)
Output load	15 pF max, 10 kohms min.
Output voltage:	VOH = 0.8* Vdd min. ; VOL = 0.2* Vdd max.
Input voltage:	VIH = 0.75* Vdd min. ; VIL = 0.25* Vdd max.
Start-up time	3.0ms typ, 10ms max.
Disable time	20ns typ, 100ns max.
Tri-State function (Stand-by)	"1" or open: Oscillation; "0" : No oscillation/Hi Z
Stand-by Current	1uA max. (T=+25° C, Vdd=3.3 ± 0.3V, 3.0 ± 0.3V, 2.8 ± 0.2V, 2.5 ± 0.2V, 1.8 ± 0.15V)
Aging at +25°C/year	± 5ppm max.
Jitter (Cycle to Cycle, reference only):	100MHz: 95 ps

Absolute Maximum Ratings

Item	Min.	Max	Unit	Condition
Supply Voltage	-0.3	+4.0	V	
Input Voltage	-0.3	VDD+0.3	V	
Junction Temp	-	+150	°C	
Storage Temp	-55	+150	°C	
Soldering Temp	-	+260	°C	40 sec max.
ESD				
HBM	-	2000	V	
MM	-	200		
CDM	-	500		

ABRACON IS
ISO9001:2008
CERTIFIED



ABRACON
CORPORATION

Visit www.abracon.com for Terms & Conditions of Sale **Revised: 05.07.10**
30332 Esperanza, Rancho Santa Margarita, California 92688
tel 949-546-8000 | fax 949-546-8001 | www.abracon.com

PLASTIC PACKAGE PURE SILICON™ CLOCK OSCILLATOR

ASVM



7.0x 5.0 x 0.85mm

ASVM



PART NUMBER FOR PROGRAMMED ORDERS

ASVM□ - Frequency - □ - □ - □

Supply Voltage		Frequency	Operating Temp.		Freq. Stability		Packaging	
1	3.3 ± 0.3V	e.g. 14.3181 MHz (Maximum 4 digits after decimal)	Blank	0°C to +70°C	Blank	± 100 ppm	Blank	Tube (50pcs/tube)
2	3.0 ± 0.3V		E	-20°C to +70°C	C	± 50 ppm	T	Tape and Reel (1000pcs/reel)
3	2.5 ± 0.2V		L	-40°C to +85°C	R	± 25 ppm		
4	1.8 ± 0.15V							
5	2.8 ± 0.2V							

Please contact Abracon for order assistance for high shock application.

PART NUMBER FOR UN-PROGRAMMED ORDERS

Blank un-programmed oscillators and our low cost portable programmer are available for quick turn engineering requirements. Please call ABRACON or visit our MEMSpeedPro site at <http://www.abracon.com/memspeedpro/memspeedpro.html> for more information.

ASVM - BLANK - □□ - □

Operating Temp. Freq. Stability		Packaging	
EC	± 50 ppm / -20°C to +70°C	Blank	Tube (50pcs/tube)
ER	± 25 ppm / -20°C to +70°C	T	Tape and Reel (1000pcs/reel)
LC	± 50 ppm / -40°C to +85°C		
LR	± 25 ppm / -40°C to +85°C		

MEMSPEED PRO™ Clock Oscillator Programmer

Our new MEMSpeed Pro Clock Oscillator Programmer allows you to program parts to any frequency between 1 and 150 Mhz in 1 second! Order online now at www.abracon.com.



ABRACON IS
ISO9001:2008
CERTIFIED



ABRACON
CORPORATION

Visit www.abracon.com for Terms & Conditions of Sale **Revised: 05.07.10**
30332 Esperanza, Rancho Santa Margarita, California 92688
tel 949-546-8000 | fax 949-546-8001 | www.abracon.com

PLASTIC PACKAGE PURE SILICON™ CLOCK OSCILLATOR

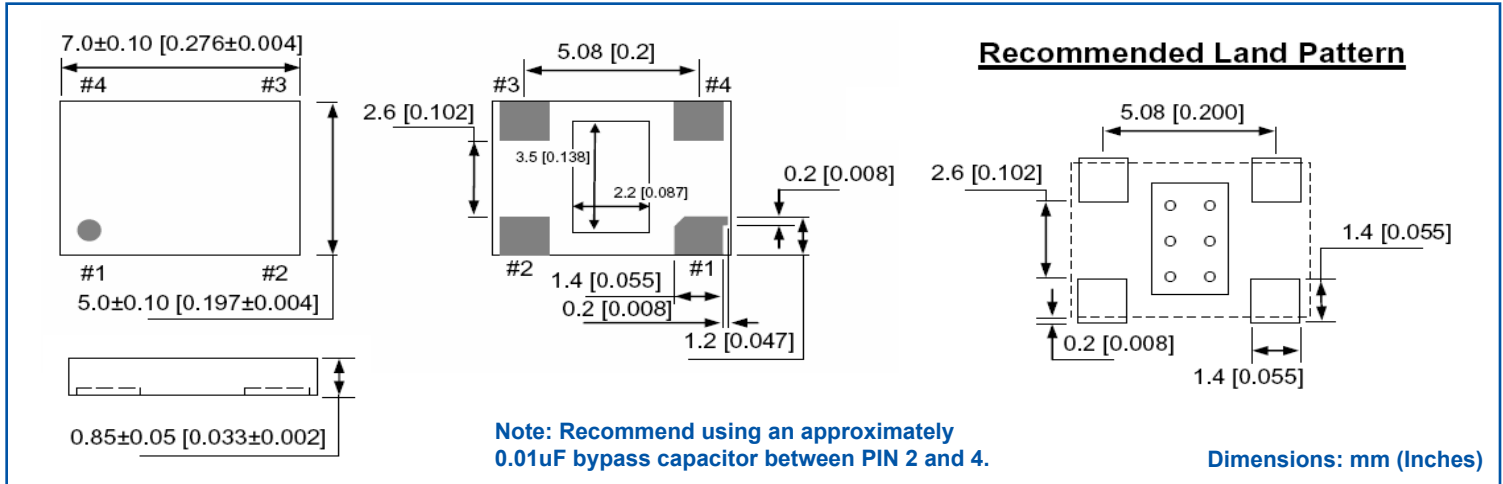
ASVM

7.0x 5.0 x 0.85mm

ASVM

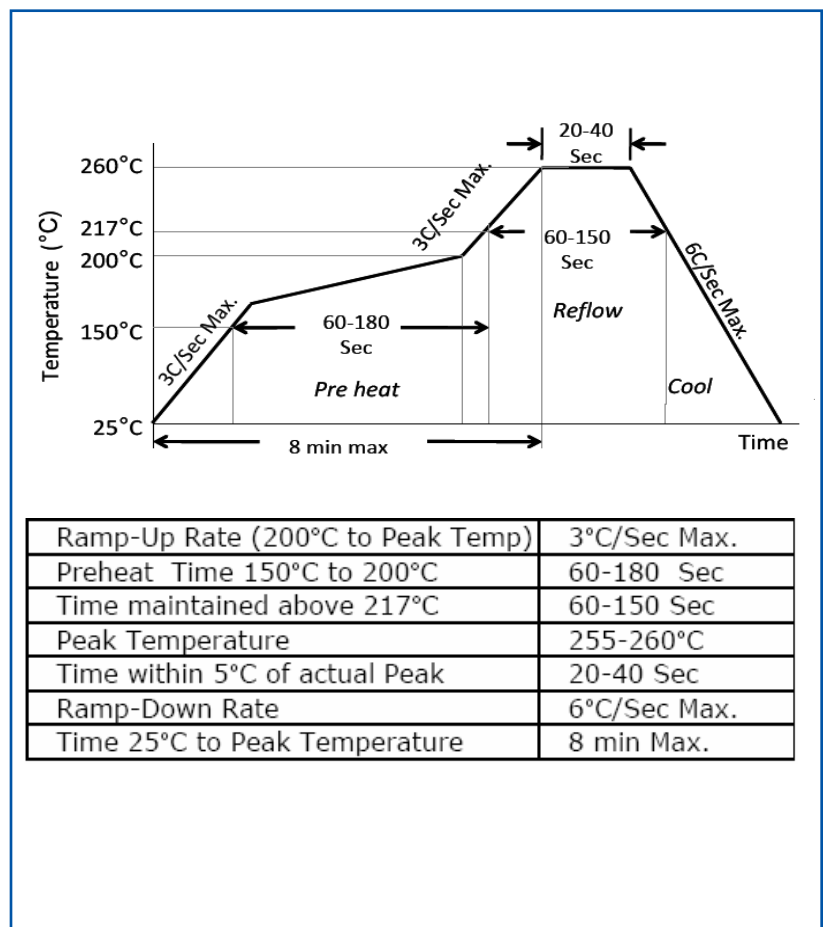
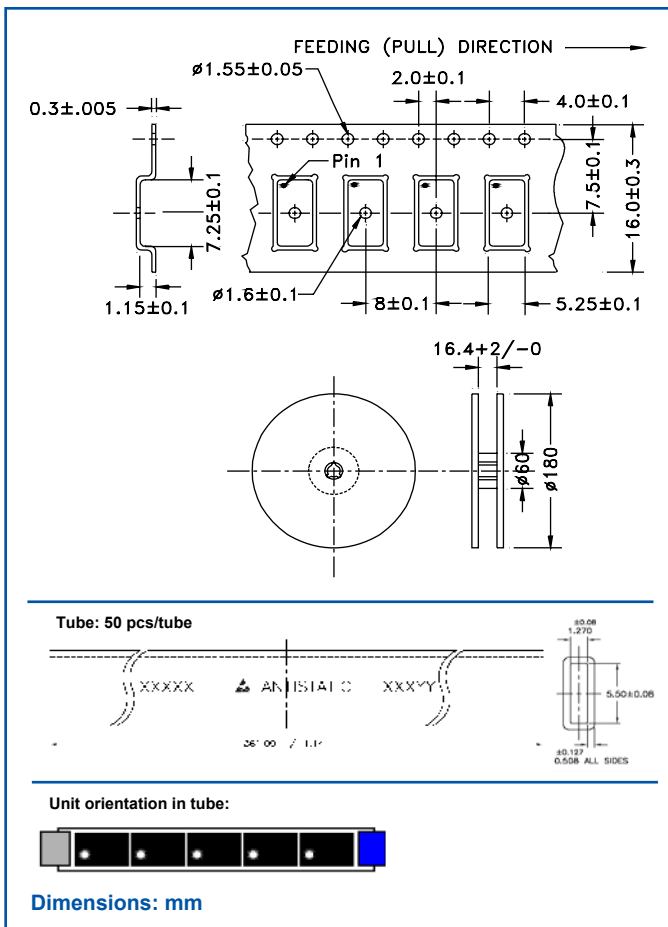


OUTLINE DRAWING:



TAPE & REEL:

REFLOW PROFILE:



NOTE: Abracon manufactured products are intended for general commercial and industrial use. For applications requiring high reliability and/or presenting extreme operating environment, written consent & authorization from Abracon is required.

ABRACON IS ISO9001:2008 CERTIFIED



Visit www.abracon.com for Terms & Conditions of Sale **Revised: 05.07.10**
 30332 Esperanza, Rancho Santa Margarita, California 92688
 tel 949-546-8000 | fax 949-546-8001 | www.abracon.com