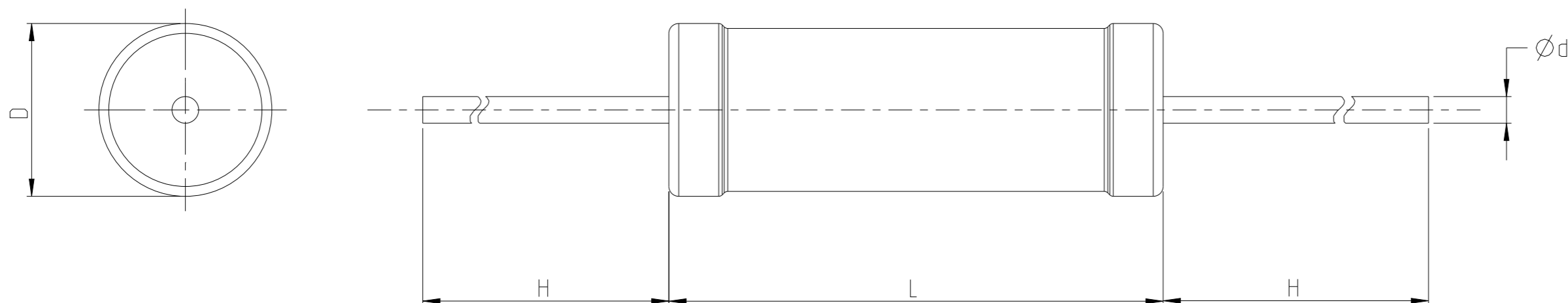


REVISIONS

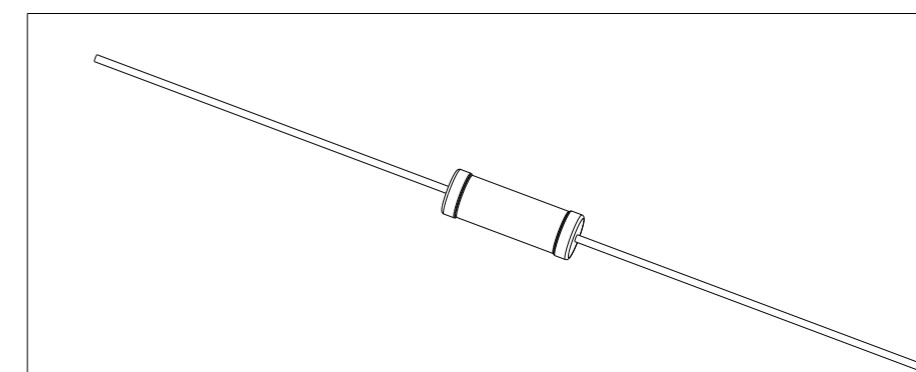
P	LTR	DESCRIPTION	DATE	DWN	APVD
	BA	NEW DRAWING	21MAR2023	DM	AP
	BA1	CLARIFICATION TO DIMENSION	07JUL2023	DM	AP

FOR FUTHER INFORMATION SEE DATA SHEET FOR WIREWOUND ANTI-SURGE RESISTOR TYPE EP SERIES



BA1

TYPE	POWER RATING	D ± 1 (mm)	L ± 1 (mm)	d ± 0.05 (mm)	H ± 3 (mm)
EP2WSS	2W-SS	3.5	10	0.54	28



THIS DRAWING IS A CONTROLLED DOCUMENT.

DWN 21MAR2023 DHEERAJ M

CHK 21MAR2023 ALLAN P

APVD 21MAR2023 ALLAN P

PRODUCT SPEC -

APPLICATION SPEC -

WEIGHT -

CUSTOMER DRAWING



NAME WIREWOUND ANTI-SURGE RESISTOR TYPE EP 2W SS SERIES

SIZE	CAGE CODE	DRAWING NO	RESTRICTED TO
------	-----------	------------	---------------

A3	00779	C=2176611	-
----	-------	-----------	---

SCALE 1:1	SHEET 1 OF 2	REV BA1
-----------	--------------	---------

DIMENSIONS:	TOLERANCES UNLESS OTHERWISE SPECIFIED:
mm	
	0 PLC ±
	1 PLC ±
	2 PLC ±
	3 PLC ±
	4 PLC ±
	ANGLES ±1°

MATERIAL	FINISH
-	-

REVISIONS

P	LTR	DESCRIPTION	DATE	DWN	APVD
	-	SEE SHEET 1	-	-	-

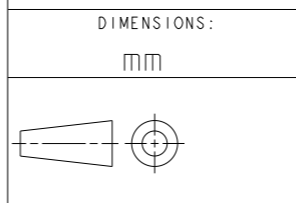
SCHEDULE

TCPN	CATALOGUE NUMBER	PART DESCRIPTION	PART STATUS
2176611-1	EP2W SS1R0J	EP 2W (SS) 1R0 5%	PRODUCTION
2176611-2	EP2W SS1R1J	EP 2W (SS) 1R1 5%	PRODUCTION
2176611-3	EP2W SS1R2J	EP 2W (SS) 1R2 5%	PRODUCTION
2176611-4	EP2W SS1R3J	EP 2W (SS) 1R3 5%	PRODUCTION
2176611-5	EP2W SS1R5J	EP 2W (SS) 1R5 5%	PRODUCTION
2176611-6	EP2W SS1R6J	EP 2W (SS) 1R6 5%	PRODUCTION
2176611-7	EP2W SS1R8J	EP 2W (SS) 1R8 5%	PRODUCTION
2176611-8	EP2W SS2R0J	EP 2W (SS) 2R0 5%	PRODUCTION
2176611-9	EP2W SS2R2J	EP 2W (SS) 2R2 5%	PRODUCTION
1-2176611-0	EP2W SS2R4J	EP 2W (SS) 2R4 5%	PRODUCTION
1-2176611-1	EP2W SS2R7J	EP 2W (SS) 2R7 5%	PRODUCTION
1-2176611-2	EP2W SS3R0J	EP 2W (SS) 3R0 5%	PRODUCTION
1-2176611-3	EP2W SS3R3J	EP 2W (SS) 3R3 5%	PRODUCTION
1-2176611-4	EP2W SS3R6J	EP 2W (SS) 3R6 5%	PRODUCTION
1-2176611-5	EP2W SS3R9J	EP 2W (SS) 3R9 5%	PRODUCTION
1-2176611-6	EP2W SS4R3J	EP 2W (SS) 4R3 5%	PRODUCTION
1-2176611-7	EP2W SS4R7J	EP 2W (SS) 4R7 5%	PRODUCTION
1-2176611-8	EP2W SS5R1J	EP 2W (SS) 5R1 5%	PRODUCTION
1-2176611-9	EP2W SS5R6J	EP 2W (SS) 5R6 5%	PRODUCTION
2-2176611-0	EP2W SS6R2J	EP 2W (SS) 6R2 5%	PRODUCTION
2-2176611-1	EP2W SS6R8J	EP 2W (SS) 6R8 5%	PRODUCTION
2-2176611-2	EP2W SS7R5J	EP 2W (SS) 7R5 5%	PRODUCTION
2-2176611-3	EP2W SS8R2J	EP 2W (SS) 8R2 5%	PRODUCTION
2-2176611-4	EP2W SS9R1J	EP 2W (SS) 9R1 5%	PRODUCTION
2-2176611-5	EP2W SS10RJ	EP 2W (SS) 10R 5%	PRODUCTION
2-2176611-6	EP2W SS11RJ	EP 2W (SS) 11R 5%	PRODUCTION
2-2176611-7	EP2W SS12RJ	EP 2W (SS) 12R 5%	PRODUCTION
2-2176611-8	EP2W SS13RJ	EP 2W (SS) 13R 5%	PRODUCTION
2-2176611-9	EP2W SS15RJ	EP 2W (SS) 15R 5%	PRODUCTION
3-2176611-0	EP2W SS16RJ	EP 2W (SS) 16R 5%	PRODUCTION
3-2176611-1	EP2W SS18RJ	EP 2W (SS) 18R 5%	PRODUCTION
3-2176611-2	EP2W SS20RJ	EP 2W (SS) 20R 5%	PRODUCTION
3-2176611-3	EP2W SS22RJ	EP 2W (SS) 22R 5%	PRODUCTION
3-2176611-4	EP2W SS24RJ	EP 2W (SS) 24R 5%	PRODUCTION
3-2176611-5	EP2W SS27RJ	EP 2W (SS) 27R 5%	PRODUCTION
3-2176611-6	EP2W SS30RJ	EP 2W (SS) 30R 5%	PRODUCTION
3-2176611-7	EP2W SS33RJ	EP 2W (SS) 33R 5%	PRODUCTION
3-2176611-8	EP2W SS36RJ	EP 2W (SS) 36R 5%	PRODUCTION
3-2176611-9	EP2W SS39RJ	EP 2W (SS) 39R 5%	PRODUCTION
4-2176611-0	EP2W SS43RJ	EP 2W (SS) 43R 5%	PRODUCTION
4-2176611-1	EP2W SS47RJ	EP 2W (SS) 47R 5%	PRODUCTION
4-2176611-2	EP2W SS51RJ	EP 2W (SS) 51R 5%	PRODUCTION

SCHEDULE

TCPN	CATALOGUE NUMBER	PART DESCRIPTION	PART STATUS
4-2176611-3	EP2W SS56RJ	EP 2W (SS) 56R 5%	PRODUCTION
4-2176611-4	EP2W SS62RJ	EP 2W (SS) 62R 5%	PRODUCTION
4-2176611-5	EP2W SS68RJ	EP 2W (SS) 68R 5%	PRODUCTION
4-2176611-6	EP2W SS75RJ	EP 2W (SS) 75R 5%	PRODUCTION
4-2176611-7	EP2W SS82RJ	EP 2W (SS) 82R 5%	PRODUCTION
4-2176611-8	EP2W SS91RJ	EP 2W (SS) 91R 5%	PRODUCTION
4-2176611-9	EP2W SS100RJ	EP 2W (SS) 100R 5%	PRODUCTION
5-2176611-0	EP2W SS110RJ	EP 2W (SS) 110R 5%	PRODUCTION
5-2176611-1	EP2W SS120RJ	EP 2W (SS) 120R 5%	PRODUCTION
5-2176611-2	EP2W SS130RJ	EP 2W (SS) 130R 5%	PRODUCTION
5-2176611-3	EP2W SS150RJ	EP 2W (SS) 150R 5%	PRODUCTION
5-2176611-4	EP2W SS160RJ	EP 2W (SS) 160R 5%	PRODUCTION
5-2176611-5	EP2W SS180RJ	EP 2W (SS) 180R 5%	PRODUCTION
5-2176611-6	EP2W SS200RJ	EP 2W (SS) 200R 5%	PRODUCTION
5-2176611-7	EP2W SS220RJ	EP 2W (SS) 220R 5%	PRODUCTION
5-2176611-8	EP2W SS240RJ	EP 2W (SS) 240R 5%	PRODUCTION
5-2176611-9	EP2W SS270RJ	EP 2W (SS) 270R 5%	PRODUCTION
6-2176611-0	EP2W SS300RJ	EP 2W (SS) 300R 5%	PRODUCTION
6-2176611-1	EP2W SS330RJ	EP 2W (SS) 330R 5%	PRODUCTION
6-2176611-2	EP2W SS360RJ	EP 2W (SS) 360R 5%	PRODUCTION
6-2176611-3	EP2W SS390RJ	EP 2W (SS) 390R 5%	PRODUCTION
6-2176611-4	EP2W SS430RJ	EP 2W (SS) 430R 5%	PRODUCTION
6-2176611-5	EP2W SS470RJ	EP 2W (SS) 470R 5%	PRODUCTION
6-2176611-6	EP2W SS510RJ	EP 2W (SS) 510R 5%	PRODUCTION
6-2176611-7	EP2W SS560RJ	EP 2W (SS) 560R 5%	PRODUCTION
6-2176611-8	EP2W SS620RJ	EP 2W (SS) 620R 5%	PRODUCTION
6-2176611-9	EP2W SS680RJ	EP 2W (SS) 680R 5%	PRODUCTION
7-2176611-0	EP2W SS750RJ	EP 2W (SS) 750R 5%	PRODUCTION
7-2176611-1	EP2W SS820RJ	EP 2W (SS) 820R 5%	PRODUCTION
7-2176611-2	EP2W SS910RJ	EP 2W (SS) 910R 5%	PRODUCTION

THIS DRAWING IS A CONTROLLED DOCUMENT.



DIMENSIONS:	TOLERANCES UNLESS OTHERWISE SPECIFIED:
mm	
0 PLC	±
1 PLC	±
2 PLC	±
3 PLC	±
4 PLC	±
ANGLES	±°
FINISH	-

MATERIAL -

DWN DHEERAJ M 21MAR2023

CHK ALLAN P 21MAR2023

APVD ALLAN P 21MAR2023

PRODUCT SPEC -

APPLICATION SPEC -

WEIGHT -

CUSTOMER DRAWING



NAME WIREWOUND ANTI-SURGE RESISTOR TYPE EP 2W SS SERIES

SIZE	CAGE CODE	DRAWING NO	RESTRICTED TO
A3	00779	C-2176611	-

SCALE 1:1 SHEET 2 OF 2 REV BA1