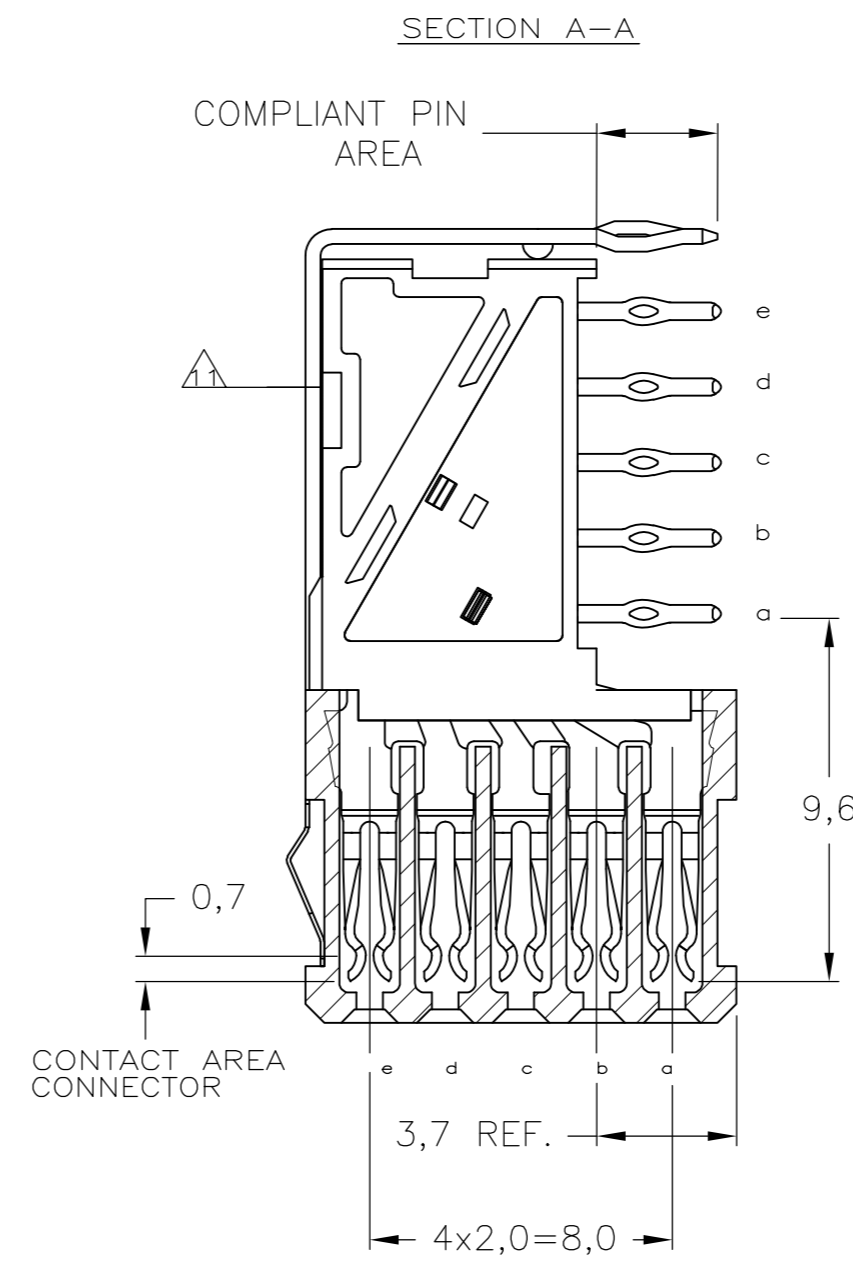
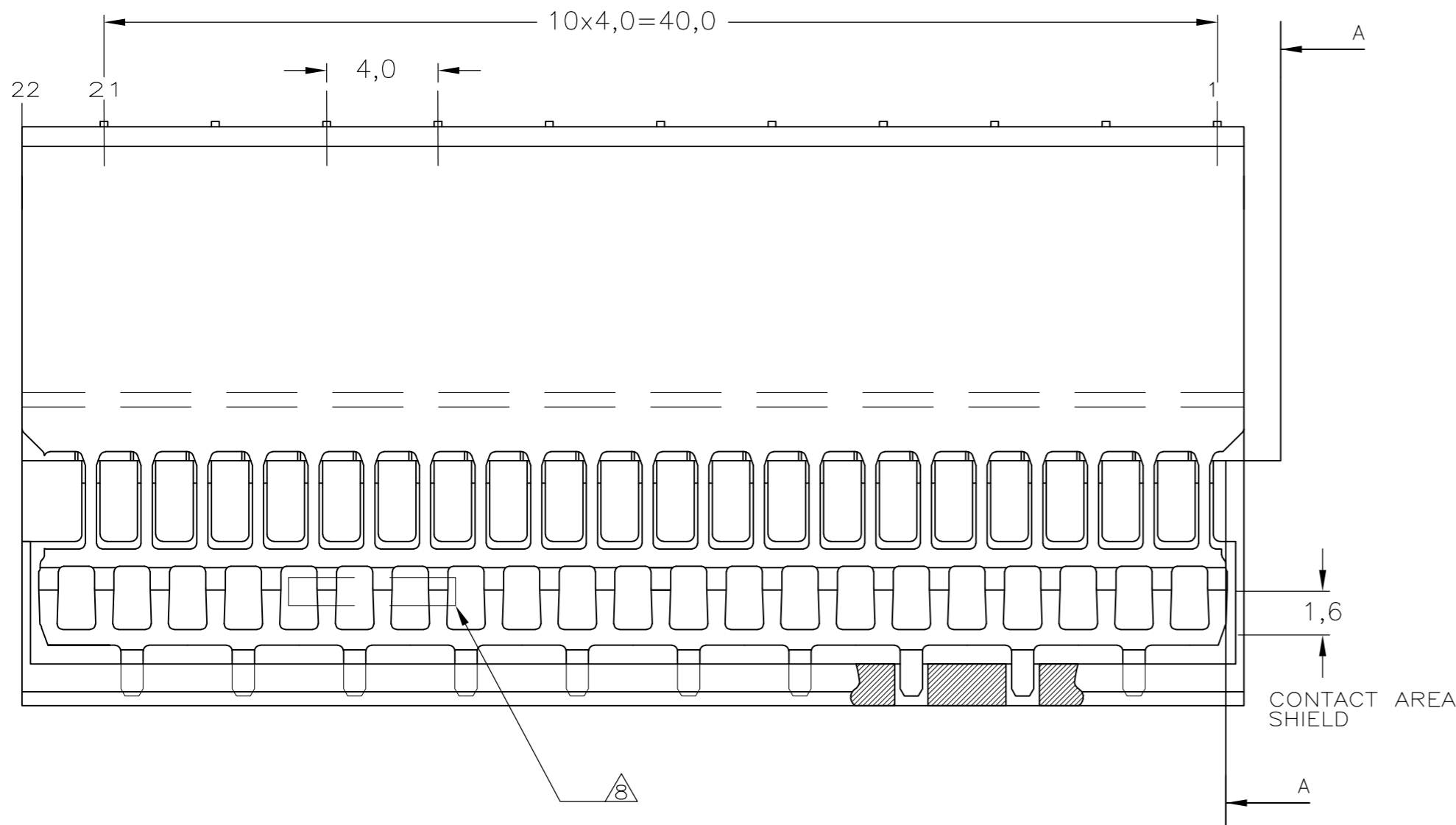
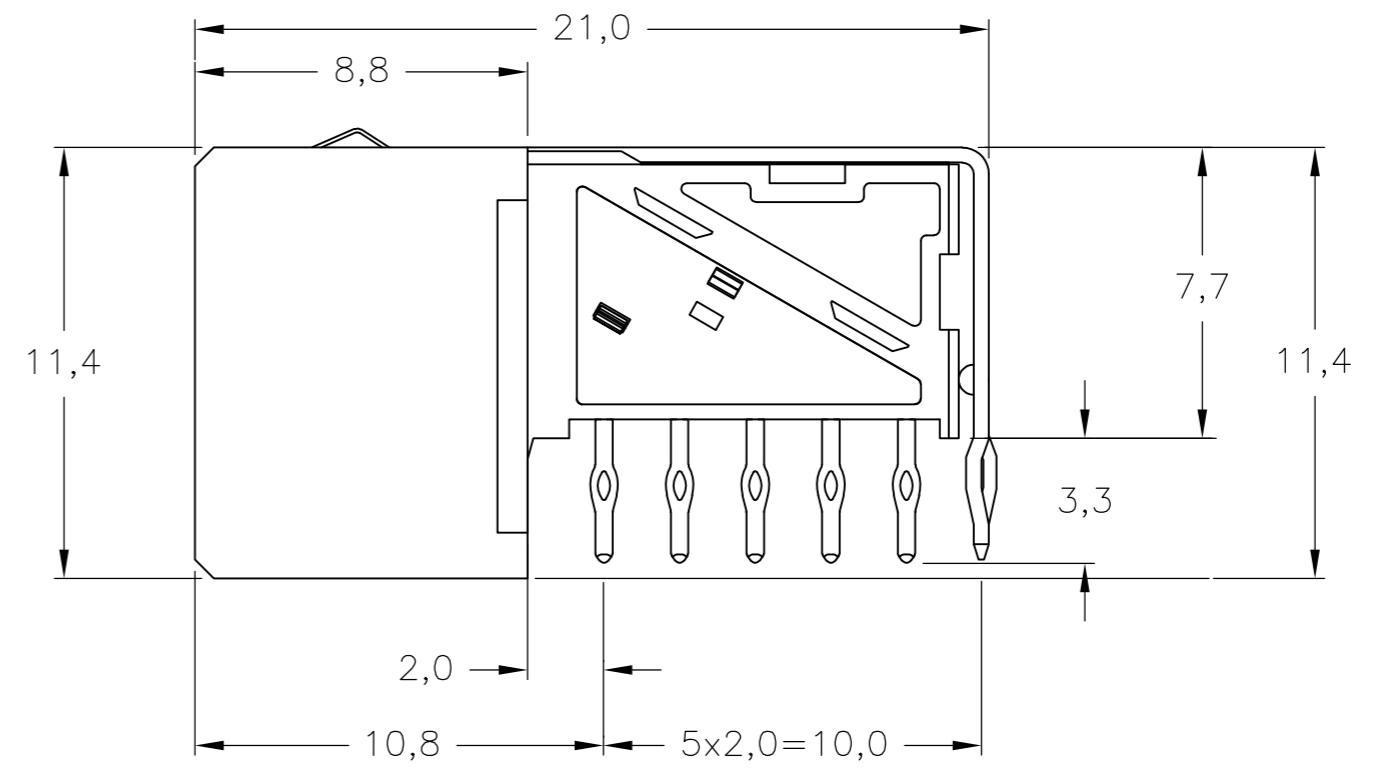
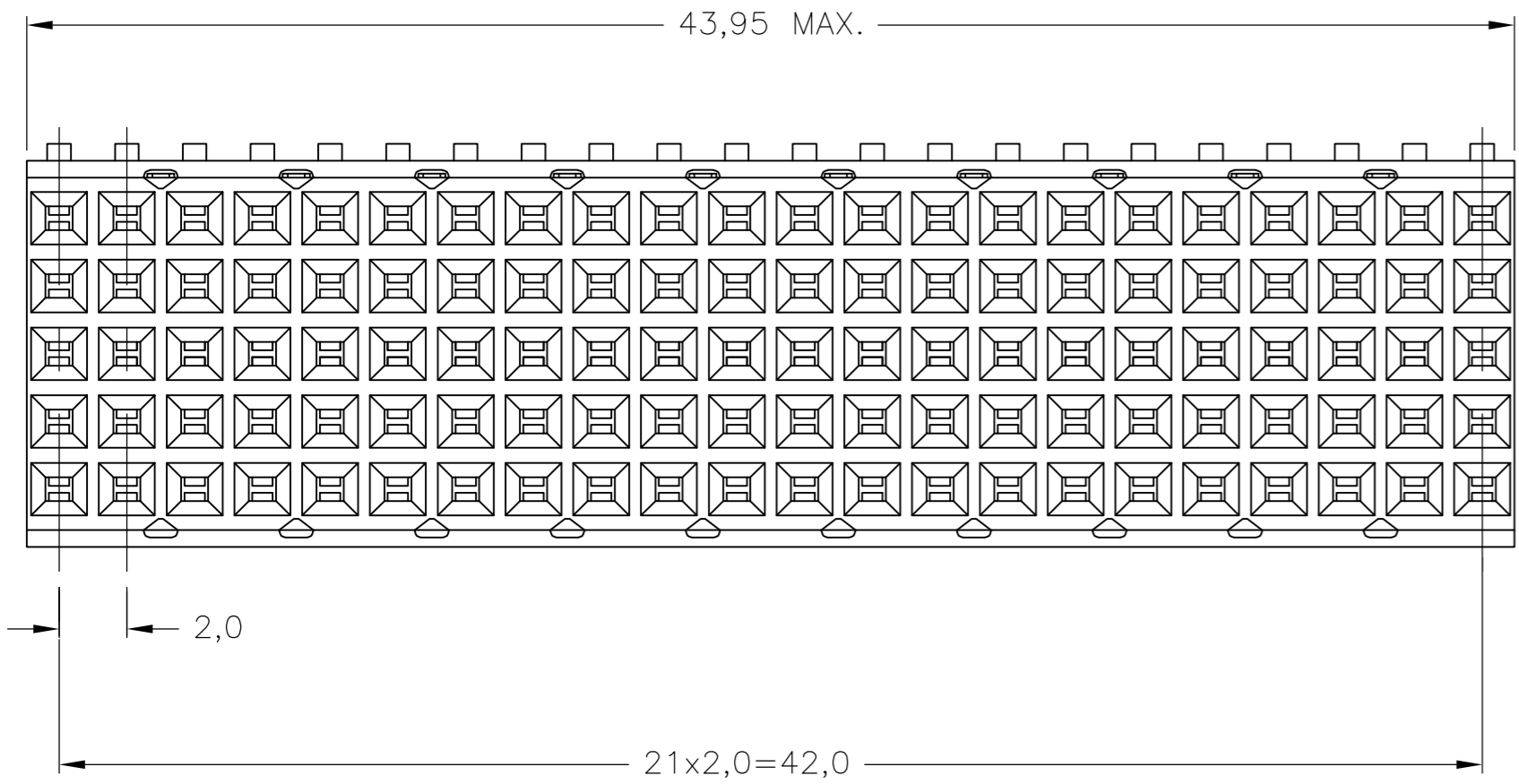


THIS DRAWING IS UNPUBLISHED. RELEASED FOR PUBLICATION  
 © COPYRIGHT - By - ALL RIGHTS RESERVED.

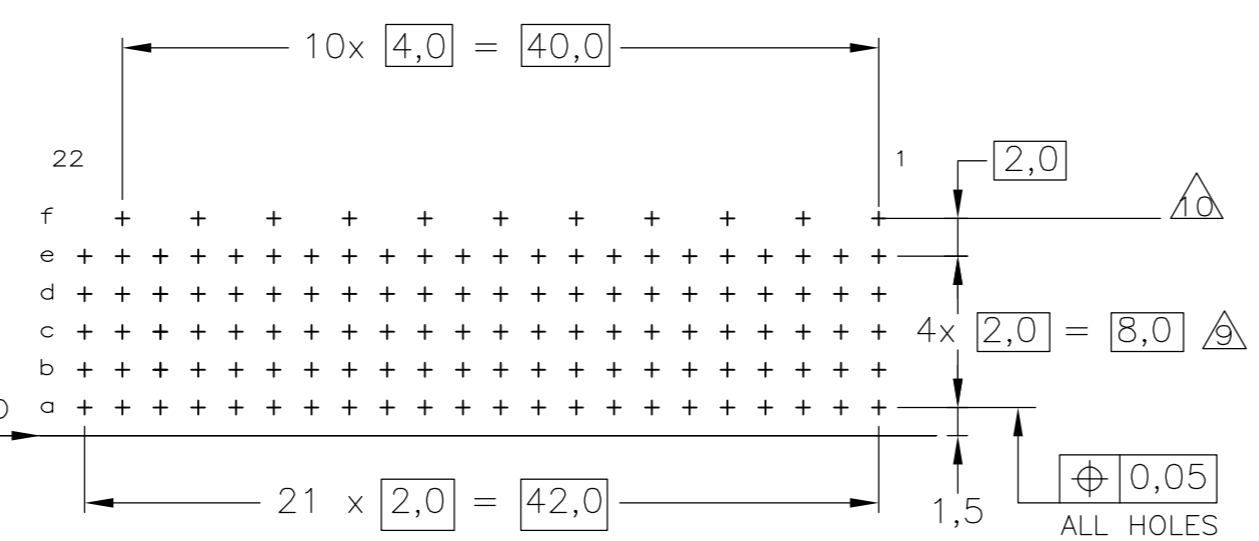
LOC		DIST		REVISIONS			
P	LTR	DESCRIPTION	DATE	DWN	APVD		
B		REVISED PER ECO-14-009607	27JUN2014	SY	FY		



- NOTES:
- 1 MATERIAL CONTACTS; PHOSPHORBRONZE
  - 2 MATERIAL HOUSING; GLASSFILLED POLYESTER (GRAY)
  - 3 GENERAL PLATING SPECIFICATION: UNDERPLATING (ENTIRE CONTACT): 1,27µm NICKEL MIN. AND COMPLIANT PIN SECTION: 0,5µm TIN-LEAD MIN. FOR PLATING OF MATING SURFACES SEE APPLICABLE SPECIFICATION REFERENCE FOR EACH DASH NUMBER.
  - 4 CONFORMS TO ALL TESTING ACCORDING IEC 61076-4-101 PERFORMANCE LEVEL 2.
  - 5 CONFORMS TO ALL TESTING ACCORDING IEC 61076-4-101 PERFORMANCE LEVEL 1.
  - 6 CONNECTOR TESTED AND QUALIFIED AGAINST TELCORDIA GR-1217-CORE QUALITY LEVEL III, CENTRAL OFFICE APPLICATIONS.
  - 7 CONNECTOR LUBRICATED WITH TELCORDIA GR-1217-CORE APPROVED LUBRICANT.
  - 8 ASSEMBLY PRINTED WITH P/N AND DATECODE
  - 9 THE MARKING CAN APPEAR ON THE FRONT SIDE OR BACK SIDE.
  - 10 HOLE PATTERN FOR FEMALE CONNECTOR TYPE B-22 COLUMNS 110 PLATED-THROUGH HOLES AT 2x2mm SQUARE GRID
  - 11 ROW "f" 11 PLATED THROUGH HOLES FOR UPERSHIELD SHIELD MOUNTED ON CONNECTOR WITH DOUBLE SIDED ADHESIVE TAPE OR ADHESIVE.
  - 12 BASIC P.N. LOWERSHIELD : 352468 OR 5352468.



COMPONENT SIDE AS SHOWN  
 RECOMMENDED PCB-HOLE LAY-OUT  
 SCALE 2,5:1



P.C.B. HOLE DIM. COMPLIANT PIN  
 FOR DETAILS SEE  
 APPLICATION SPECIFICATION

THIS DRAWING IS A CONTROLLED DOCUMENT.		DWN SANDERS YAN 25NOV2013	FINISH	MATERIAL	2170863-1
DIMENSIONS: mm		CHK -	APVD FRANK YANG 25NOV2013	PARTNUMBER	
TOLERANCES UNLESS OTHERWISE SPECIFIED:		TE Connectivity			
6-PLG ±		Z-PACK 2mm HM			
1-PLG ±		TYPE B - 22 COLUMNS			
2-PLG ± ±0.2		PRE-SHIELDED RECEPTACLE			
3-PLG ±		NAME			
4-PLG ±		108-19082			
ANGLES ±		APPLICATION SPEC			
FINISH		114-19029			
MATERIAL		WEIGHT			
		114-19029			
		SIZE A2			
		CAGE CODE 00779			
		DRAWING NO. C=2170863			
		RESTRICTED TO			
		CUSTOMER DRAWING			
		SCALE 5:1			
		SHEET 1 of 1			
		REV B			