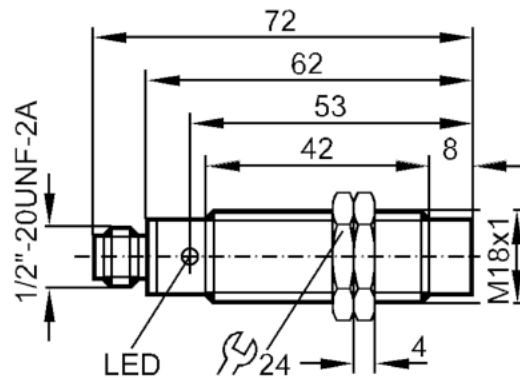




## Inductive sensor

IGK2012-ABOA/SL/LS100-AK RT



Product characteristics	
Output function	normally open
Sensing range [mm]	12
Housing	threaded type
Dimensions [mm]	M18 x 1
Application	
Special feature	Increased sensing range
Electrical data	
Operating voltage [V]	20...250 AC/DC
Protection class	I
Reverse polarity protection	no
Outputs	
Output function	normally open
Max. voltage drop switching output DC [V]	6
Max. voltage drop switching output AC [V]	6.5
Minimum load current [mA]	5
Max. leakage current [mA]	1 (250 V AC) / 0.8 (140 V AC) / 0.8 (24 V DC)
Permanent current rating of switching output AC [mA]	250; (350 (...50 °C))
Permanent current rating of switching output DC [mA]	100
Short-time current rating of switching output [mA]	2200; (20 ms / 0,5 Hz)

# IG0345



## Inductive sensor

IGK2012-ABOA/SL/LS100-AK RT

Switching frequency AC	[Hz]	25
Switching frequency DC	[Hz]	90
Short-circuit proof		no
Overload protection		no
<b>Detection zone</b>		
Sensing range	[mm]	12
Operating distance	[mm]	0...9.7
Increased sensing range		yes
<b>Accuracy / deviations</b>		
Correction factor		steel: 1 / stainless steel: 0.7 / brass: 0.5 / aluminium: 0.5 / copper: 0.4
Hysteresis	[% of Sr]	3...15
<b>Operating conditions</b>		
Ambient temperature	[°C]	-25...70
Protection		IP 67
<b>Tests / approvals</b>		
EMC	EN 60947-5-2	
	EN 55011	class B
MTTF	[years]	616
UL approval	Ta	0...40 °C
	Enclosure type	Type 1
	power supply	Hazardous voltage
	File number UL	E174191
<b>Mechanical data</b>		
Weight	[g]	63.2
Housing		threaded type
Mounting		non-flush mountable
Dimensions	[mm]	M18 x 1
Thread designation		M18 x 1
Materials		brass white bronze coated; PA; PBT
<b>Displays / operating elements</b>		
Display	switching status	1 x LED, red
<b>Electrical connection</b>		
Required protection		miniature fuse to IEC60127-2 sheet 1; ≤ 2 A; fast acting
<b>Accessories</b>		
Items supplied		lock nuts: 2
<b>Remarks</b>		
Remarks		Recommendation: Check the safe functioning of the unit after a short circuit.
Pack quantity		1 pcs.

# IG0345

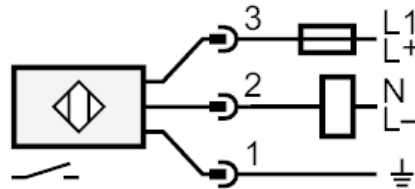


## Inductive sensor

IGK2012-ABOA/SL/LS100-AK RT

### Electrical connection - plug

Connector: 1 x 1/2"; coding: C



Note miniature fuse to IEC60127-2 sheet 1  $\leq 2$  A fast acting