

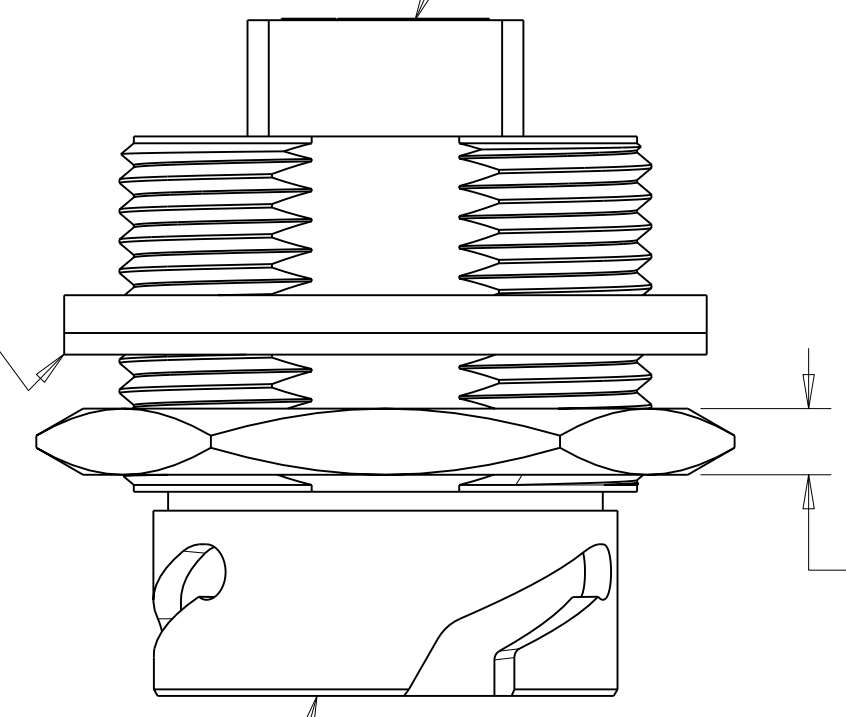
THIS DRAWING IS UNPUBLISHED. RELEASED FOR PUBLICATION 20  
 © COPYRIGHT 20 BY TYCO ELECTRONICS CORPORATION. ALL RIGHTS RESERVED.

LOC		DIST		REVISIONS					
FT		0		P	LTR	DESCRIPTION	DATE	DWN	APVD
				A		RELEASED	17JUN05	DF	SH
				-	-	-	-	-	-
				-	-	-	-	-	-
				-	-	-	-	-	-

- 1. CONNECTOR MAY BE FRONT OR REAR MOUNTED TO A MAXIMUM PANEL THICKNESS OF 3.2 mm.
- 2. COUPLER LINES CROSSOVER BETWEEN PORTS.
- 3. THIS PRODUCT HAS NOT COMPLETED VALIDATION TESTING.
- 4. PANEL NUT AND PANEL GASKET ARE PACKAGED UNASSEMBLED IN POLYBAG.

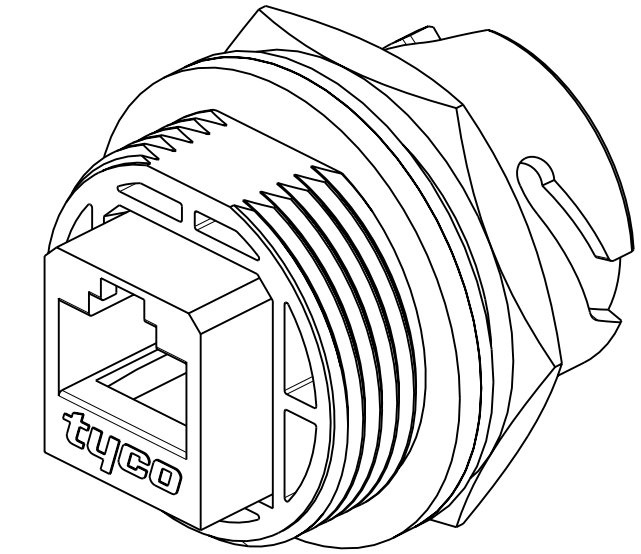
CAT 5e COUPLER  
 RJ-45, 8 POSITION  
 MATERIAL:  
 HOUSING-THERMOPLASTIC  
 CONTACTS-PHOSPHOR BRONZE  
 FINISH: CONTACTS  
 GOLD OVER NICKEL

1 PANEL GASKET  
 MATERIAL: ELASTOMER  
 COLOR: BLACK

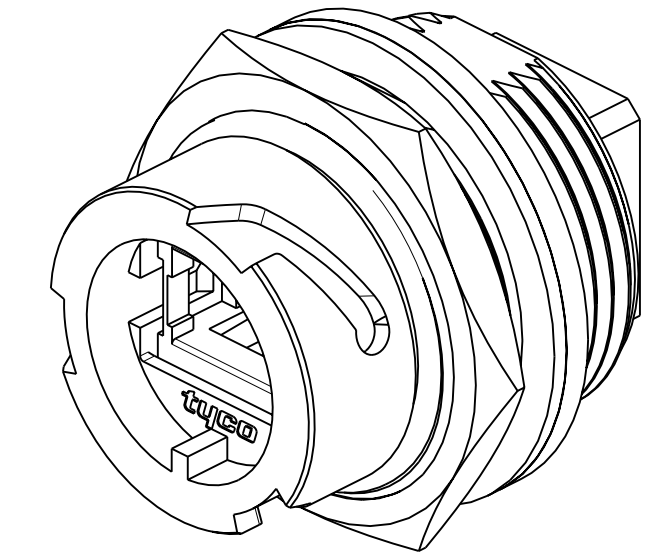


3.5  
 PANEL NUT  
 MATERIAL: BRASS  
 FINISH: NICKEL

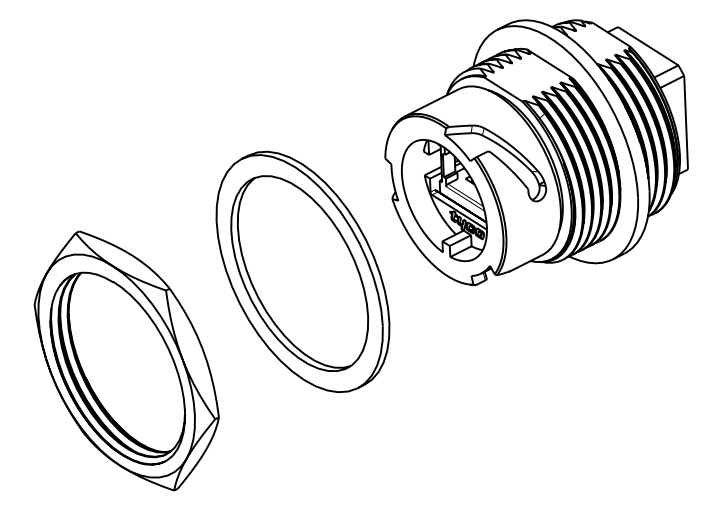
RECEPTACLE HOUSING  
 MATERIAL: POLYESTER  
 COLOR: BLACK



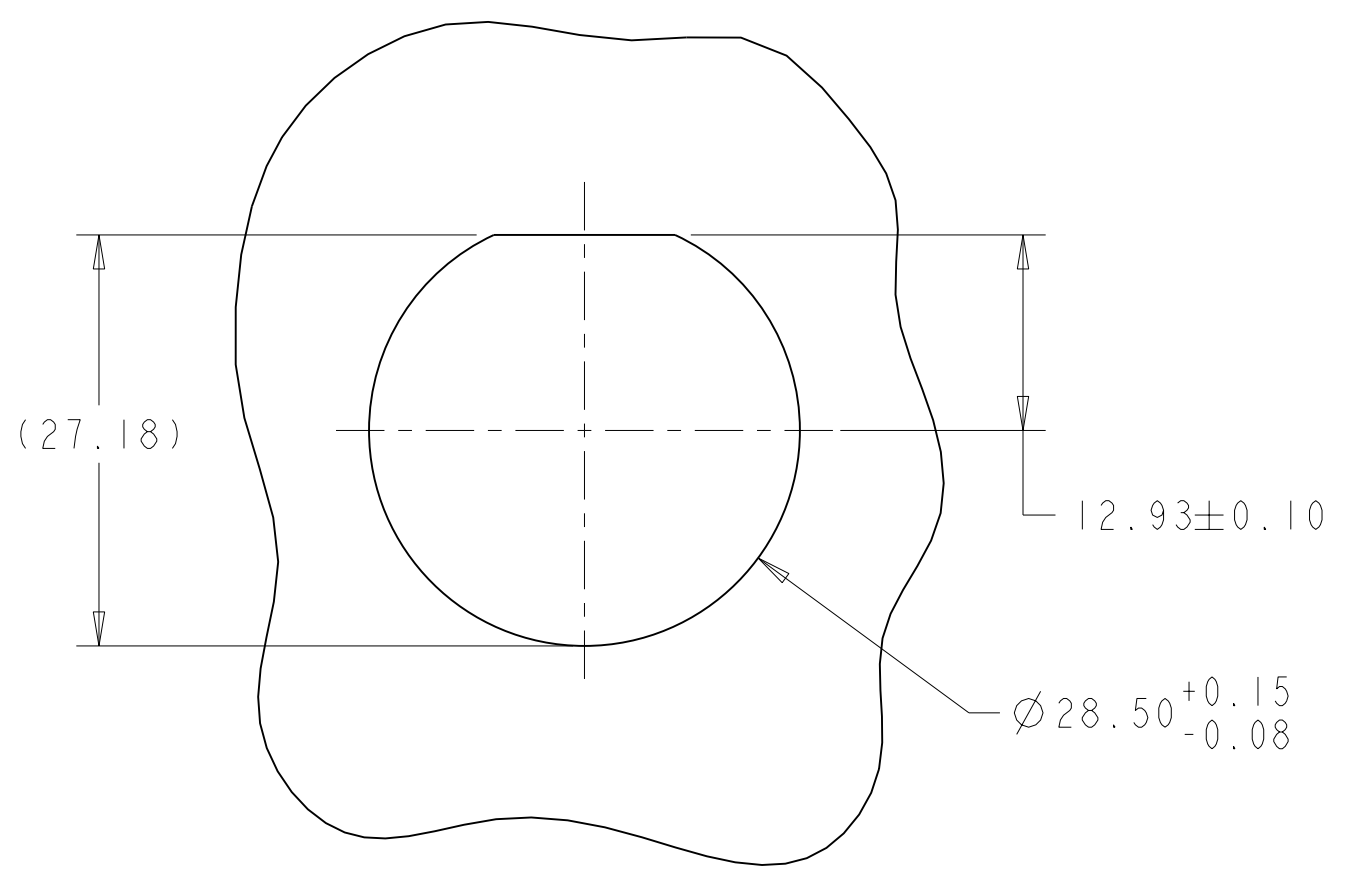
SCALE 2:1



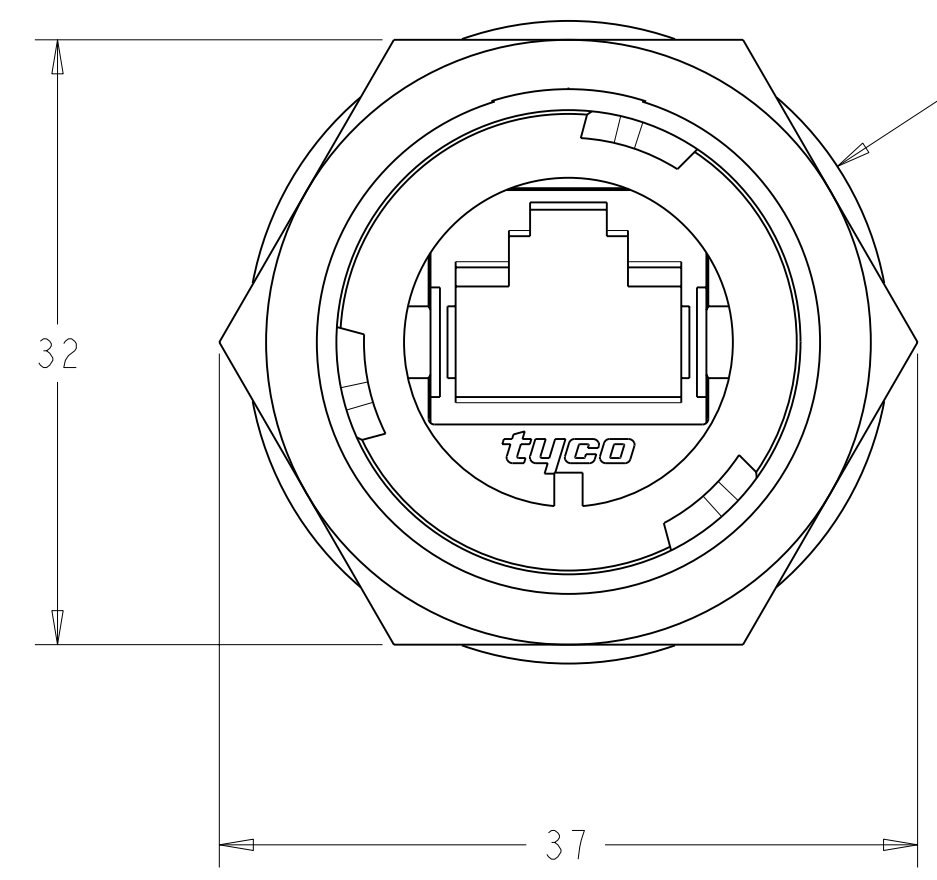
SCALE 2:1



SCALE 1:1

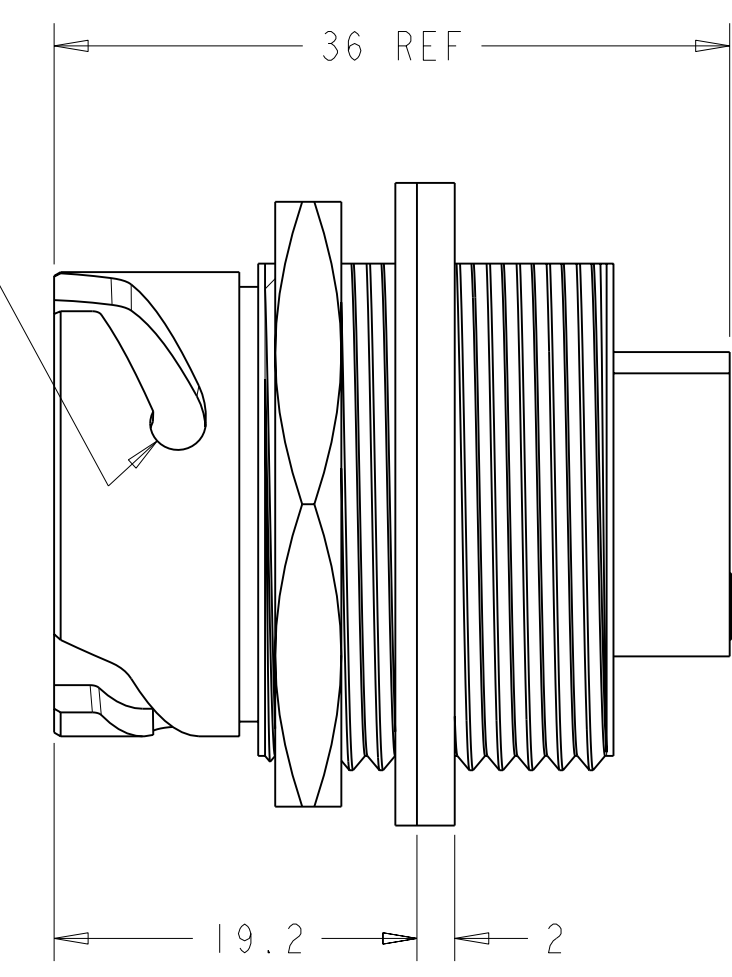


SUGGESTED PANEL CUTOUT 1



Ø34.0  
 PANEL FLANGE

BAYONET LOCK



1738601-1  
 PART NUMBER

<small>THIS DRAWING IS A CONTROLLED DOCUMENT FOR TYCO ELECTRONICS CORPORATION. IT IS SUBJECT TO CHANGE AND THE CONTROLLING ENGINEERING ORGANIZATION SHOULD BE CONTACTED FOR THE LATEST REVISION.</small>		DWN R.L.KOLLER 25MAR04 CHK J.LANDIS 26MAR04 APVD S.HEADER 17JUN	<b>tyco</b> Electronics Tyco Electronics Harrisburg, PA 17105-3608
DIMENSIONS: mm 	TOLERANCES UNLESS OTHERWISE SPECIFIED: 0 PLC ±0.3 1 PLC ±0.2 2 PLC ±0.10 3 PLC ± 4 PLC ± ANGLES ±1°	NAME PRODUCT SPEC 108-2198 APPLICATION SPEC 114-13136	RECEPTACLE KIT, INDUSTRIAL CIRCULAR ETHERNET CONNECTOR
MATERIAL	FINISH	WEIGHT	RESTRICTED TO
-	-	-	-
CUSTOMER DRAWING		SCALE 5:2	SHEET 1 OF 1 REV A