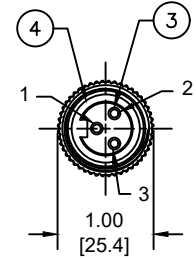
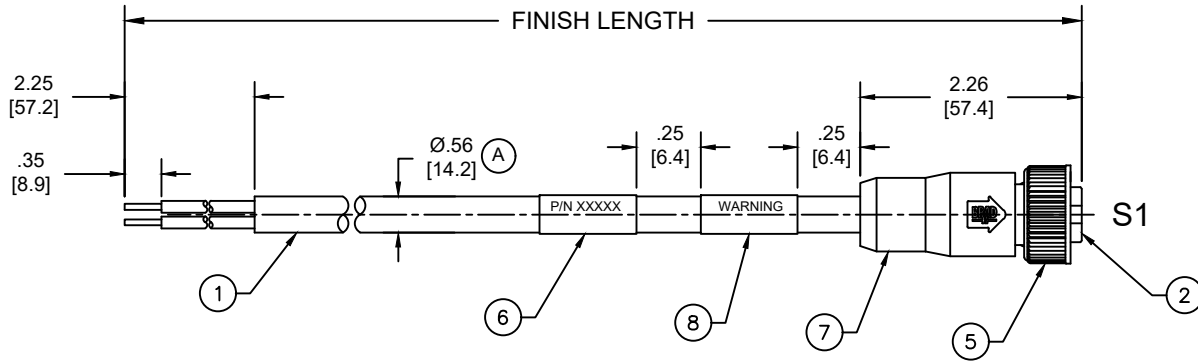
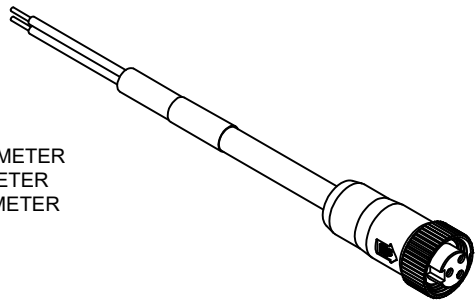


MATERIAL NUMBER	ENGINEERING NUMBER	FINISHED LENGTH
1300610029	103000A46M010	1M [3FT 3 IN]
1300610035	103000A46M100	10M [32FT 10 IN]
1300610037	103000A46M270	27M [88FT 7 IN]

**(A) PART NUMBER LEGEND**

103000A46M010

LENGTH:  
M005= 0.5 METER  
M010= 1 METER  
M100= 10 METER

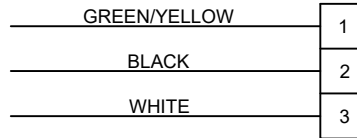


FACE VIEW FEMALE

**NOTES:**

- MATERIAL: AS NOTED
- FINISH: AS NOTED
- ELECTRICAL:
  - VOLTAGE: 500V PER IEC60664 (A)
  - 600V PER UL2237
  - CURRENT: 15A
- TEMP RATING: -20°TO +90°C
- PROTECTION: IP67 (WHEN MATED)
- COUPLING THREAD: 7/8"-16UN
- UL LISTED FILE: E258922
- ALL DIMENSIONS ARE FOR REFERENCE UNLESS TOLERANCED OR NOTED OTHERWISE

**S1**



WIRING DIAGRAM

**(A)**

CABLE LENGTH TOLERANCES	
<.3M [1FT]:	+19mm-0 [+ .75in-0]
.3 - .9M [1 - 3FT]:	+44.5mm-0 [+1.75in-0]
.9 - 1.8M [3 - 6FT]:	+55.6mm-0 [+2.19in-0]
1.8 - 3.7M [6 - 12FT]:	+88.9mm-0 [+3.50in-0]
3.7 - 7.3M [12 - 24FT]:	+165.1mm-0 [+6.50in-0]
7.3-14.6M [24 - 48FT]:	+317.5mm-0 [+12.50in-0]
14.6 - 30.5M [48-100FT]:	+622.3mm-0 [+24.50in-0]
OVER 30M [100FT]	+2% OF FINISHED LENGTH

ITEM	DESCRIPTION	MATERIAL	FINISH
8	WARNING LABEL	VINYL	BLACK/ORANGE
7	OVERMOLD	TPE	GRAY
6	WRAP LABEL	VINYL	BLACK/YELLOW
5	COUPLING NUT	ZINC ALLOY	BLACK E-COAT
4	FRICTION RING	NYLON	WHITE
3	CONTACT SOCKET	COPPER ALLOY	GOLD OVER NICKEL
2	INSERT	TPE	BLACK
1	CABLE #14/3, STOOW	PVC JACKET	GRAY

<b>FUNCTIONAL SYMBOLS</b> 	THIS DRAWING CONTAINS INFORMATION THAT IS PROPRIETARY TO MOLEX ELECTRONIC TECHNOLOGIES, LLC AND SHOULD NOT BE USED WITHOUT WRITTEN PERMISSION		CURRENT REV DESC: ITEM 2 & 7 WERE PVC. SLEEVE & SOCKET MENTIONED AS ONE ITEM-3. ADDED IEC VOLTAGE, PN LEGEND, CABLE DIA & TOL CHART. MODIFIED ITEM-4 FINISH AND PN TABLE.																				
	<b>DIMENSION UNITS</b> INCH/MM	<b>SCALE</b> NTS	<b>GENERAL TOLERANCES (UNLESS SPECIFIED)</b>																				
	<table border="1"> <thead> <tr> <th></th> <th>mm</th> <th>INCH</th> </tr> </thead> <tbody> <tr> <td>4 PLACES</td> <td>±----</td> <td>±----</td> </tr> <tr> <td>3 PLACES</td> <td>±----</td> <td>±----</td> </tr> <tr> <td>2 PLACES</td> <td>±----</td> <td>±----</td> </tr> <tr> <td>1 PLACE</td> <td>±----</td> <td>±----</td> </tr> <tr> <td>0 PLACES</td> <td>±----</td> <td>±----</td> </tr> </tbody> </table>			mm	INCH	4 PLACES	±----	±----	3 PLACES	±----	±----	2 PLACES	±----	±----	1 PLACE	±----	±----	0 PLACES	±----	±----	EC NO: 704134 DRWN: ABENJAMINLW 2021/06/10 CHK'D: RSTONE 2022/04/27 APPR: BWOODMAN 2022/05/04		
		mm	INCH																				
4 PLACES	±----	±----																					
3 PLACES	±----	±----																					
2 PLACES	±----	±----																					
1 PLACE	±----	±----																					
0 PLACES	±----	±----																					
<b>DIVISIONAL SYMBOLS</b> 	ANGULAR TOL ± ---- °		INITIAL REVISION: DRWN: VOU 2010/01/12 APPR: JFMURPHY 2010/01/20																				
DRAFT WHERE APPLICABLE MUST REMAIN WITHIN DIMENSIONS		THIRD ANGLE PROJECTION 	DRAWING A-SIZE	SERIES 130061	DOCUMENT NUMBER SD-130061-006																		
DOCUMENT STATUS   P1   RELEASE DATE   2022/05/04   21:13:45		MATERIAL NUMBER   CUSTOMER   SHEET NUMBER SEE CHART   GENERAL MARKET   1 OF 1		DOC TYPE   DOC PART   REVISION PSD   001   A																			

**molex**

BRAD POWER CORDEST, A-SIZE  
3-POLE, FEMALE, STRAIGHT, SINGLE KEY,  
#14 AWG

PRODUCT CUSTOMER DRAWING

DOCUMENT NUMBER: SD-130061-006  
DOC TYPE: PSD  
DOC PART: 001  
REVISION: A