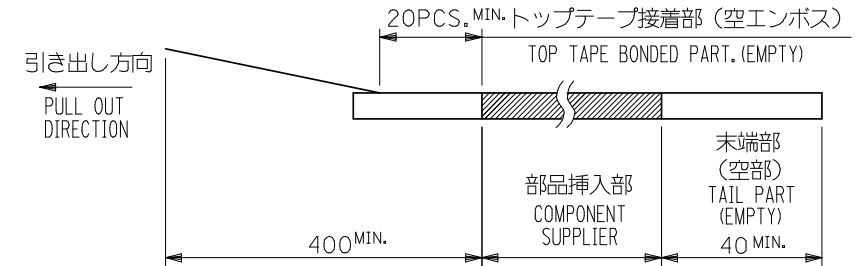
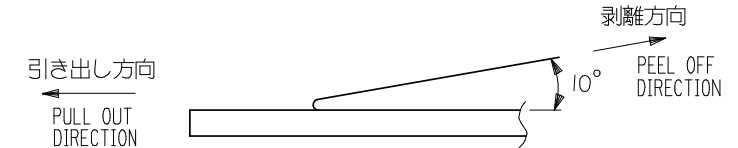


注記 NOTES.

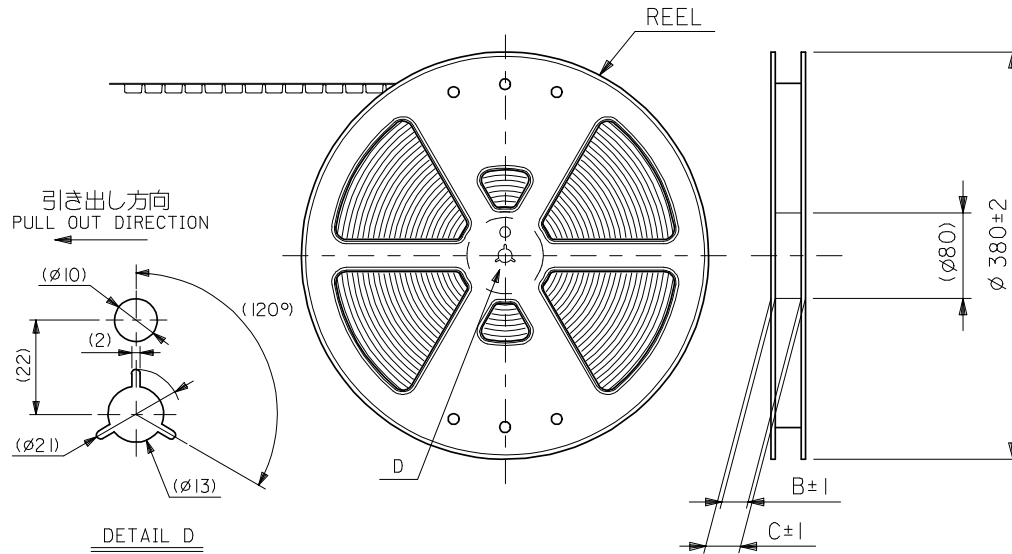
- 製品詳細寸法については図面 SD-53929-005 を参照下さい。  
RE DETAILED DIMENSION, SEE SD-53929-005.
- 梱包数量：3000個/リール  
NUMBER OF CONNECTORS : 3000PCS/REEL
- リードテープ長さ LEAD TAPE LENGTH



- トップテープの剥離強度：0.1～1.3N {10～130gf}  
(剥離方向は下図参照)  
尚、本規格値は出荷時に適用。(但し、輸送時に剥離が発生しないこと。)  
PEELING OFF FORCE OF TOP TAPE : 0.1～1.3N {10～130gf}  
(PEELING DIRECTION AS SHOWN IN FOLLOWING FIG.)  
THIS REQUIREMENT SHOULD BE APPLIED AT SHIPMENT.  
PEEL OFF SHOULD NOT BE ALLOWED , DURING TRANSPORTATION.



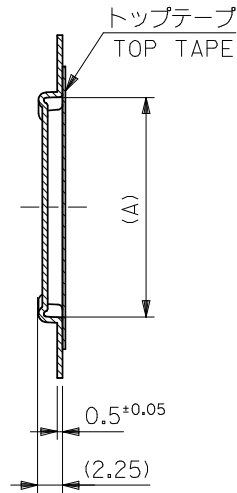
- 材料 (MATERIAL)  
キャリアテープ (CARRIER TAPE) : ポリプロピレン (POLYPROPYLENE)  
トップテープ (TOPTAPE) : PET , PE , PEF  
リール (REEL) : ポリスチレン (PS) <リサイクル材を含む>  
POLYSTYREN (PS) <RECYCLE MATERIAL CONTAINED>
- 本製品は 53929-\*\*\*8 の鉛フリー品である。  
THIS PRODUCT IS LEAD FREE OF 53929-\*\*\*8.



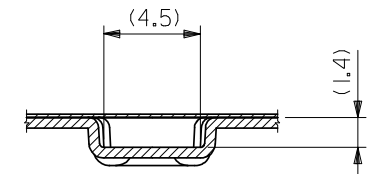
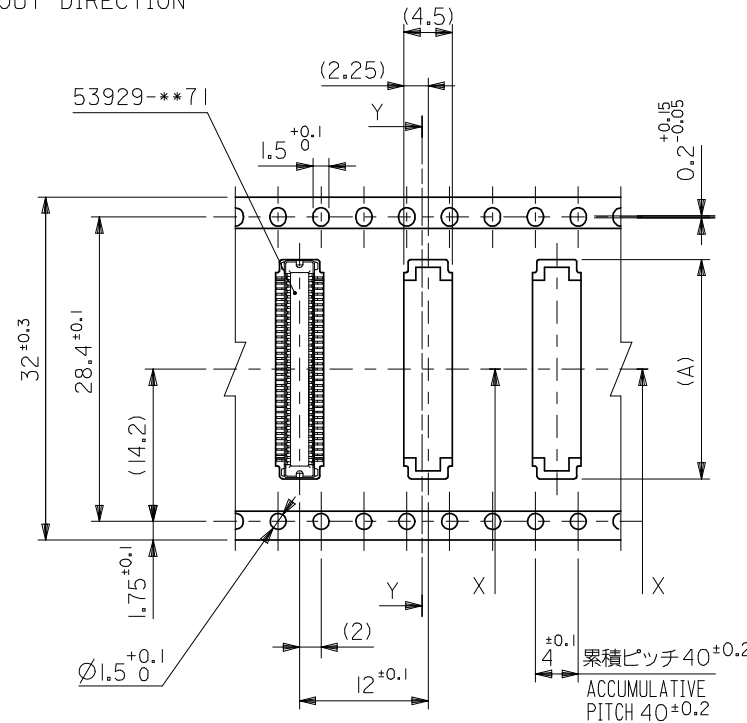
MODEL NO. 53929-\*\*\*78

REVISED EC NO: J2008-3821 DRW:K INOSHITAA 2008/05/07 CHKD:T HARUYAMA 2008/05/07 APPR:NUKITA 2008/05/12	GENERAL TOLERANCES (UNLESS SPECIFIED)		DIMENSION STYLE MM ONLY		SCALE ---	DESIGN UNITS METRIC	THIRD ANGLE PROJECTION	
	10 UNDER	± ---	DRAWN BY H. KAWABATA	DATE '04/3/15	TITLE 0.5 BTB CONN PLUG ASSY WITH NAIL EMBSTP PKG -LEAD FREE-			
	10 OVER 30 UNDER	± ---	CHECKED BY K. TOJO	DATE '04/3/15				
	30 OVER	± ---	APPROVED BY M. SASAO	DATE '04/3/15	MOLEX INCORPORATED			
	ANGULAR	± --- °	MATERIAL NO.					
	DRAFT WHERE APPLICABLE MUST REMAIN WITHIN DIMENSIONS		SEE TABLE		SD-53929-006		1 OF 3	
		SIZE A3		THIS DRAWING CONTAINS INFORMATION THAT IS PROPRIETARY TO MOLEX INCORPORATED AND SHOULD NOT BE USED WITHOUT WRITTEN PERMISSION				

引き出し方向  
PULL OUT DIRECTION



SECT. Y-Y



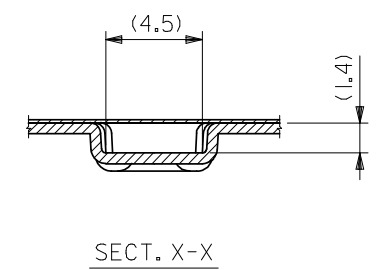
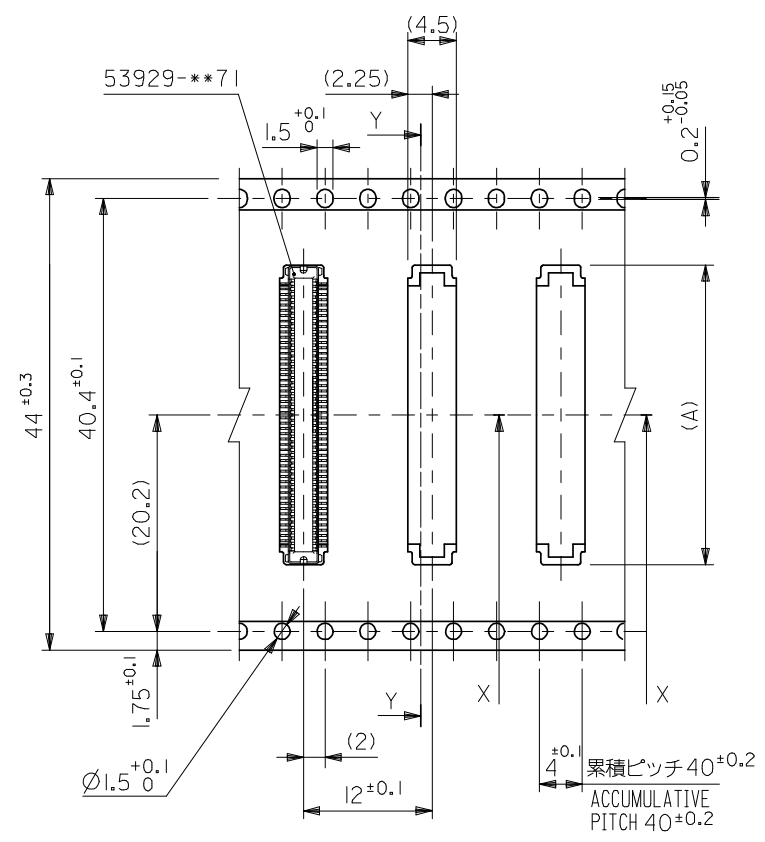
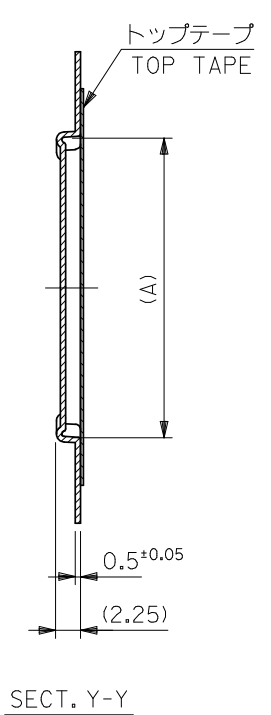
SECT. X-X

32mm幅キャリアテープ  
32mm WIDTH CARRIER TAPE

MODEL NO.	53929-**78	32	37.4	33.4	20.45	53929-0778	70
		キャリアテープ幅 CARRIER TAPE WIDTH	C	B	(A)	MATERIAL NO.	極数 CKT.

REVISED EC NO: J2008-3821 DRW: K. INOSHITA 2008/05/07 CHK: T. HARUYAMA 2008/05/07 APPR: NUKITA 2008/05/12	GENERAL TOLERANCES (UNLESS SPECIFIED)		DIMENSION STYLE MM ONLY		SCALE ---	DESIGN UNITS METRIC	THIRD ANGLE PROJECTION	
	10 UNDER	±---	DRAWN BY H. KAWABATA	DATE '04/3/5	TITLE 0.5 BTB CONN PLUG ASSY WITH NAIL EMBSTP PKG -LEAD FREE-			
	10 OVER 30 UNDER	±---	CHECKED BY K. TOJO	DATE '04/3/5				
	30 OVER	±---	APPROVED BY M. SASAO	DATE '04/3/5	MOLEX INCORPORATED			
	ANGULAR	±--- °	MATERIAL NO.	DOCUMENT NO.	SD-53929-006		SHEET NO. 2 OF 3	
DRAFT WHERE APPLICABLE MUST REMAIN WITHIN DIMENSIONS		SEE TABLE		THIS DRAWING CONTAINS INFORMATION THAT IS PROPRIETARY TO MOLEX INCORPORATED AND SHOULD NOT BE USED WITHOUT WRITTEN PERMISSION				

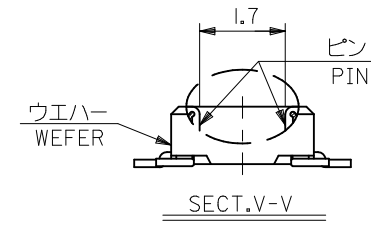
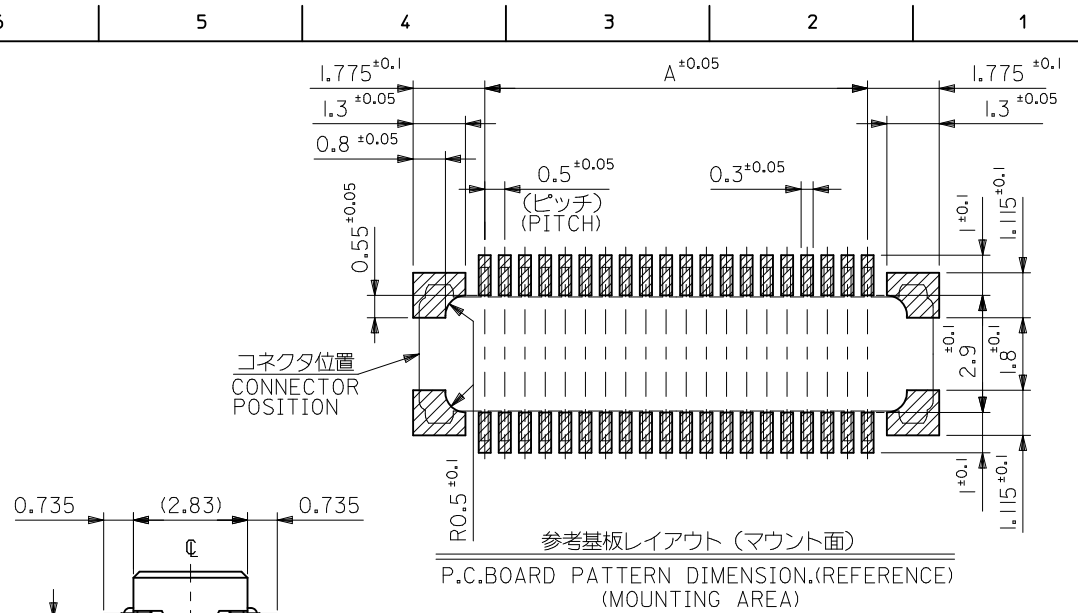
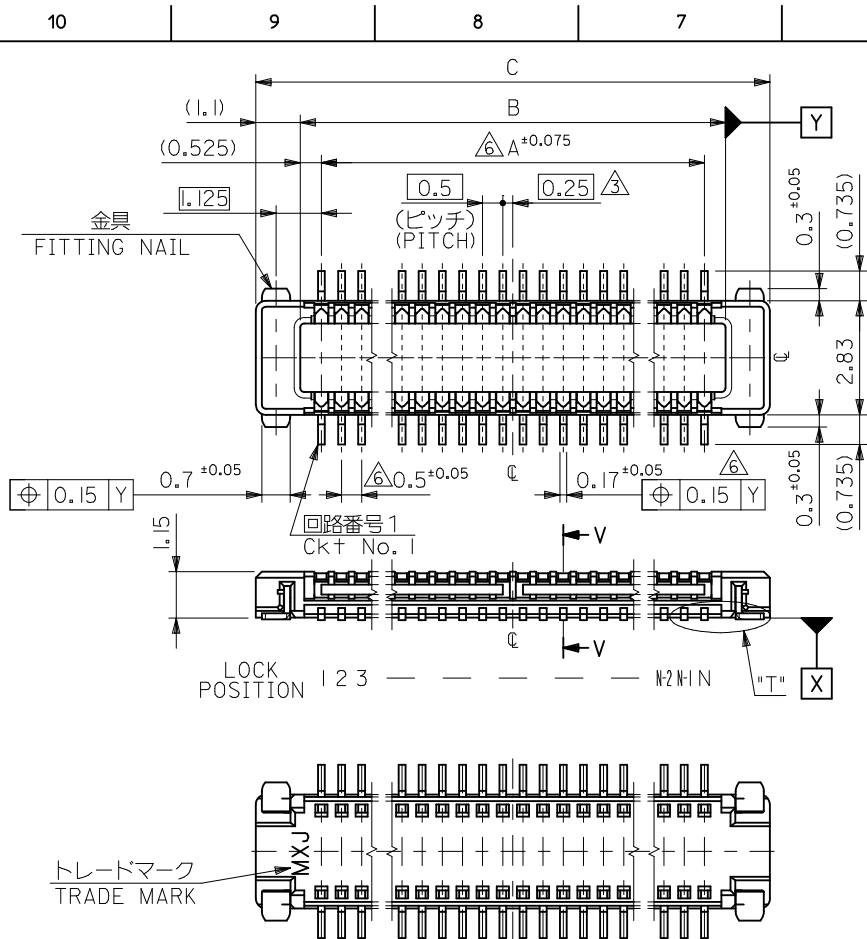
引き出し方向  
PULL OUT DIRECTION



44mm幅キャリアテープ  
44mm WIDTH CARRIER TAPE

44	49.4	45.4	27.95	53929-1078	100
			22.95	53929-0878	80
MODEL NO.	53929-**78	キャリアテープ幅 CARRIER TAPE WIDTH	C	B	(A)
			MATERIAL NO.	極数 CKT	

REVISED EC NO: J2008-3821 DRW: K INOSHITA 2008/05/07 CHK: T HARUYAMA 2008/05/07 APPR: NUKITA 2008/05/12	GENERAL TOLERANCES (UNLESS SPECIFIED)		DIMENSION STYLE MM ONLY		SCALE ---	DESIGN UNITS METRIC	THIRD ANGLE PROJECTION	
	10 UNDER	± ---	DRAWN BY H. KAWABATA	DATE '04/3/5	TITLE 0.5 BTB CONN PLUG ASSY WITH NAIL EMBSTP PKG -LEAD FREE-			
	10 OVER 30 UNDER	± ---	CHECKED BY K. TOJO	DATE '04/3/5				
	30 OVER	± ---	APPROVED BY M. SASAO	DATE '04/3/5	MOLEX INCORPORATED			
	ANGULAR	± --- °	MATERIAL NO. SEE TABLE		DOCUMENT NO. SD-53929-006		SHEET NO. 3 OF 3	
	DRAFT WHERE APPLICABLE MUST REMAIN WITHIN DIMENSIONS		THIS DRAWING CONTAINS INFORMATION THAT IS PROPRIETARY TO MOLEX INCORPORATED AND SHOULD NOT BE USED WITHOUT WRITTEN PERMISSION					



注記 NOTES:

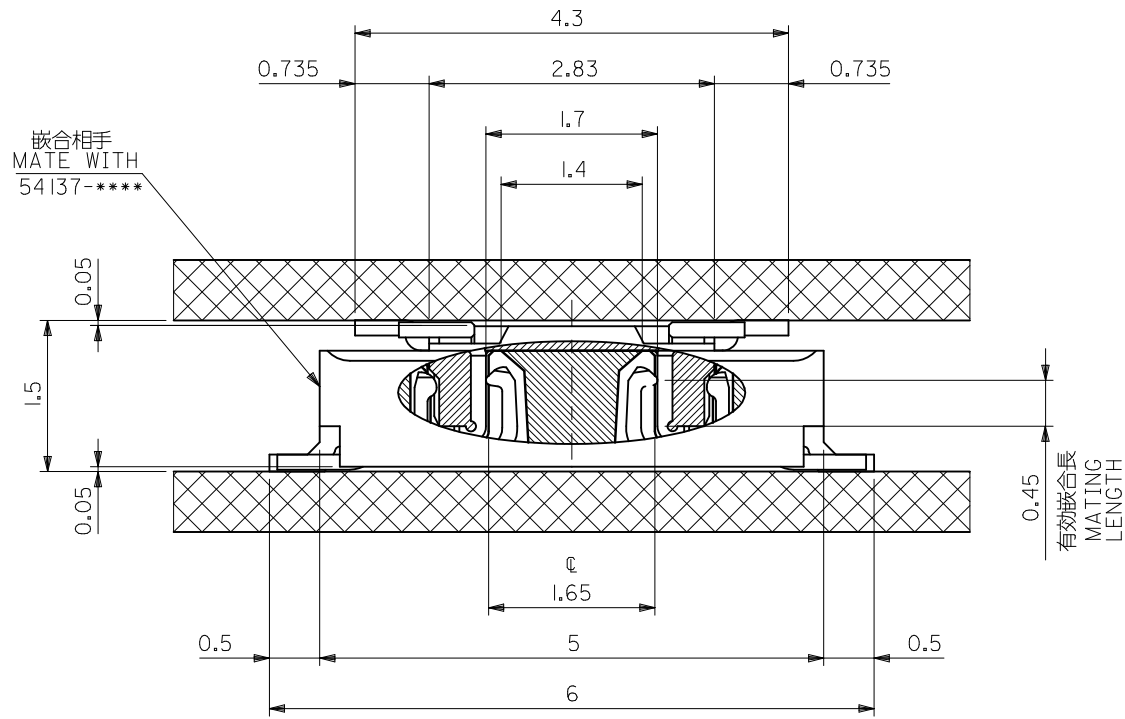
- 材質  
 MATERIAL  
 ハウジング: LCP、ガラス充填、黒色, UL94V-0  
 HOUSING: LIQUID CRYSTAL POLYMER, GLASS FILLED, BLACK, UL94V-0  
 ターミナル: 黄銅 (t=0.15)  
 TERMINAL: BRASS (t=0.15)  
 ネイル: リン青銅 (t=0.15)  
 NAIL: PHOSPHOR BRONZE (t=0.15)
- メッキ仕様  
 PLATING  
 ターミナル  
 TERMINAL  
 接点部: 金メッキ 0.25µm以上  
 CONTACT AREA: GOLD 0.25 MICROMETER MINIMUM.  
 半田付け部: 金メッキ 0.1µm以上  
 SOLDER TAIL: GOLD 0.1 MICROMETER MINIMUM.  
 下地メッキ: ニッケルメッキ 1.5µm以上  
 UNDER PLATING: NICKEL 1.5 MICROMETER MINIMUM.  
 ネイル  
 NAIL  
 鍍メッキ: 1.0µm以上  
 TIN PLATING: 1.0 MICROMETER MINIMUM.  
 下地メッキ: ニッケルメッキ 1.0µm以上  
 UNDER PLATING: NICKEL PLATING 1.0 MICROMETER MINIMUM.

△ (全極数/2) = 偶数の場合に適用  
 APPLY FOR (CIRCUIT/2) = EVEN.

- 嵌合相手: 54137-\*\*\*\*  
 MATED CONN.: 54137-\*\*\*\*
- テール平坦度は、0.08以下。テールとネイルを併せた平坦度は、0.1以下とする。  
 TAIL COPLANARITY TO BE 0.08 MAXIMUM.  
 TAILS AND NAILS COPLANARITY TO BE 0.1 MAXIMUM.
- テール部に適用  
 APPLY TO THE TAIL AREA.
- 本製品は53929-\*\*78ネイル圧入品です。  
 THIS PRODUCT IS NAIL-FITTING ITEM OF 53929-\*\*78.

27.75	25.55	24.5	53929-1078	100
22.75	20.55	19.5	53929-0878	80
C	B	A	EMBOSSED PACKAGE ORDER No.      オーダー番号	Ck+

REVISED EC NO: J2013-0632 2012/12/03 DRW:KTOYODA CHKD:TASAKAWA APPR:MSASAO 2013/02/20	DESCRIPTION	GENERAL TOLERANCES (UNLESS SPECIFIED)		DIMENSION STYLE MM ONLY		SCALE 8:1	DESIGN UNITS METRIC		THIRD ANGLE PROJECTION
		10 UNDER	±0.2	DRAWN BY KTOYODA	DATE 2010/12/09	TITLE 0.5 B/B CONN PLUG WITH NAIL			
		10 OVER 30 UNDER	±0.25	CHECKED BY MSASAO	DATE 2011/02/15	molex			
		30 OVER	±0.3	APPROVED BY MSASAO	DATE 2011/02/15				
A	REV	ANGULAR ±1 ° DRAFT WHERE APPLICABLE MUST REMAIN WITHIN DIMENSIONS	SIZE A3	SEE CHART		MATERIAL NO.	DOCUMENT NO. SD-53929-010	SHEET NO. 1 OF 2	



嵌合断面図 (参考)  
MATED DRAWING (REF.)

SEE SHEET 1 OF 2 EC NO: J2013-0632 DRW/K:KTOYODA 2012/12/03 CH/KD:TASAKAWA 2012/12/04 APPR:MSASAO 2013/02/20	GENERAL TOLERANCES (UNLESS SPECIFIED)		DIMENSION STYLE MM ONLY	SCALE 20:1	DESIGN UNITS METRIC	THIRD ANGLE PROJECTION
	10 UNDER	±0.2	DRAWN BY KTOYODA	DATE 2010/12/16	TITLE 0.5 B/B CONN. PLUG WITH NAIL	
	10 OVER 30 UNDER	±0.25	CHECKED BY MSASAO	DATE 2011/02/15		
	30 OVER	±0.3	APPROVED BY MSASAO	DATE 2011/02/15	<b>molex</b> DOCUMENT NO. SD-53929-010 SHEET NO. 2 OF 2	
ANGULAR ±1 °		MATERIAL NO. SEE SHEET 1				
DRAFT WHERE APPLICABLE MUST REMAIN WITHIN DIMENSIONS		THIS DRAWING CONTAINS INFORMATION THAT IS PROPRIETARY TO MOLEX INCORPORATED AND SHOULD NOT BE USED WITHOUT WRITTEN PERMISSION				