

GloTek, Inc. www.globtek.com 186 Veterans Drive, Northvale, NJ 07647 Tel. (201) 784-1000 Fax (201) 784-0111	Drawing Title: Molex® Micro-Fit 3.0 Receptacle Housing, Dual Row, 2 Circuits, UL 94V-0, Low-Halogen, Black to STRIP AND TIN, ROJ 8MM, RIJ 5MM, GT Cable #SIL20-2: 20 / 2 Conductors, Approx 5.0mmmm OD, SILICON RUBBER WIRE, 150 Deg.C, 60V, BLUE/BROWN, Approvals: , 355mm, GlobTek Black
	Model No. Low voltage cable
Part No./Ordering No. MLX2SILI180M35TT	Rev A1

CUSTOMIZED LENGTHS, COLORS, CABLE TYPES, TERMINATIONS/PLUGS/RECEPTACLES AVAILABLE UPON REQUEST. ADDITIONAL PLUG OPTIONS ARE AVAILABLE AT <https://www.globtek.com/connectors/> STANDARD PLUGS AND CONNECTORS CAN BE SEEN ONLINE AT <https://www.globtek.com/connectors/> ACTUAL CONNECTORS, OVERMOLDS, FERRITES MAY VARY SLIGHTLY FROM THE PICTURE BELOW DIMENSIONS ARE IN MM UNLESS SPECIFIED OTHERWISE

In Addition to GlobTek Inc.'s renewed ISO9001:2008 - Quality Management System Certification, GlobTek Inc. is now certified to:

ISO13485:2003 - Medical Devices Quality Management System Certification
ISO14001:2004 - Environmental Management System Certification

ISO Certificates are available online at <https://www.globtek.com/iso-certificates/>
Prop 65 Statement:<https://en.globtek.com/prop-65-statement.pdf>

The acceptance of this specification and use of the product described in this document indicates the acceptance and binding of the customer to Globtek TERMS AND CONDITIONS (attached to the end of this document), which supersede all other agreements, terms, and conditions (<https://en.globtek.com/terms-and-conditions/>).

The purchaser of this product (Customer) agrees that it is their sole responsibility to determine suitability/fitness of the product described in this specification for their application and to take precautions for protection against any hazards attendant to the handling and use of the product.

Footnote:

GlobTek Inc. will not be liable for the safety and performance of these power supplies if unauthorized access and repair occurs. End user should consult applicable UL, CSA or EN standards for proper installation instruction.

Limitation of Use:

GlobTek products are intended for use with commercial, medical, and/or industrial equipment only. GlobTek product are not authorized for use as mission critical components in life support hazardous environment, nuclear or aircraft applications without prior written approval from the CEO of GlobTek Inc.
Contents of this document are subject to change without prior notice.

Customer Approval of Specification:

Please approve, sign and send back to GlobTek so we can complete order processing.
A delay in receipt of this form will delay delivery schedule.

Company Name: _____	Customer P/N: _____
Quote Number: _____	Date: _____
Authorized Representative Name: _____	Authorized Representative Signature: _____

GlobTek, Inc. www.globtek.com 186 Veterans Drive, Northvale, NJ 07647 Tel. (201) 784-1000 Fax (201) 784-0111	Drawing Title: Molex® Micro-Fit 3.0 Receptacle Housing, Dual Row, 2 Circuits, UL 94V-0, Low-Halogen, Black to STRIP AND TIN, ROJ 8MM, RIJ 5MM, GT Cable #SIL20-2: 20 / 2 Conductors, Approx 5.0mmmm OD, SILICON RUBBER WIRE, 150 Deg.C, 60V, BLUE/BROWN, Approvals: , 355mm, GlobTek Black	
	Model No. Low voltage cable	
	Part No./Ordering No. MLX2SILI180M35TT	Rev A1

CUSTOMIZED LENGTHS, COLORS, CABLE TYPES, TERMINATIONS/PLUGS/RECEPTACLES AVAILABLE UPON REQUEST. ADDITIONAL PLUG OPTIONS ARE AVAILABLE AT <https://www.globtek.com/connectors/> STANDARD PLUGS AND CONNECTORS CAN BE SEEN ONLINE AT <https://www.globtek.com/connectors/> ACTUAL CONNECTORS, OVERMOLDS, FERRITES MAY VARY SLIGHTLY FROM THE PICTURE BELOW DIMENSIONS ARE IN MM UNLESS SPECIFIED OTHERWISE

REVISION HISTORY

REV	DESCRIPTION	SUB	DATE	APPROVED
A1	Update spec information	QA	11/18/2020	QA
A	INITIAL RELEASE	DR	10/30/2019	QA

Cordset Information:

CordsetColor:GlobTek Black

Cord Length (mm):355

NOTES:

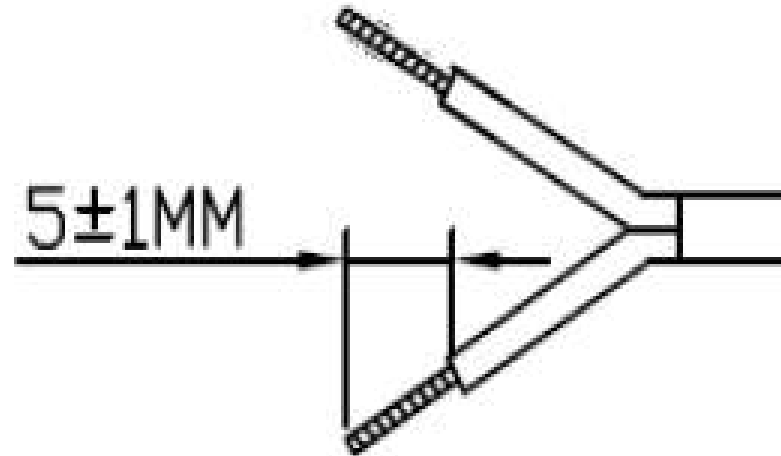
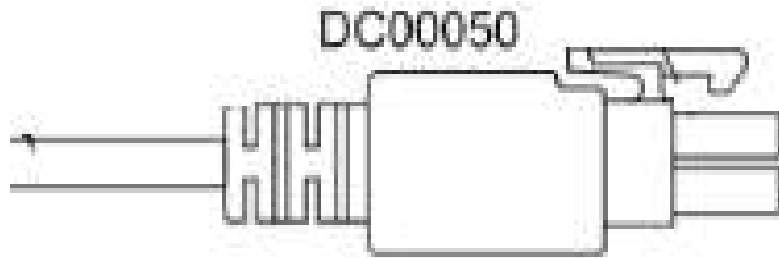
Cord, Plug and Connector must be marked with approval symbols of file number(s)

GlobTek, Inc. www.globtek.com 186 Veterans Drive, Northvale, NJ 07647 Tel. (201) 784-1000 Fax (201) 784-0111	Drawing Title: Molex® Micro-Fit 3.0 Receptacle Housing, Dual Row, 2 Circuits, UL 94V-0, Low-Halogen, Black to STRIP AND TIN, ROJ 8MM, RIJ 5MM, GT Cable #SIL20-2: 20 / 2 Conductors, Approx 5.0mmmm OD, SILICON RUBBER WIRE, 150 Deg.C, 60V, BLUE/BROWN, Approvals: , 355mm, GlobTek Black
	Model No. Low voltage cable
Part No./Ordering No. MLX2SILI180M35TT	Rev A1

CUSTOMIZED LENGTHS, COLORS, CABLE TYPES, TERMINATIONS/PLUGS/RECEPTACLES AVAILABLE UPON REQUEST. ADDITIONAL PLUG OPTIONS ARE AVAILABLE AT <https://www.globtek.com/connectors/> STANDARD PLUGS AND CONNECTORS CAN BE SEEN ONLINE AT <https://www.globtek.com/connectors/> ACTUAL CONNECTORS, OVERMOLDS, FERRITES MAY VARY SLIGHTLY FROM THE PICTURE BELOW DIMENSIONS ARE IN MM UNLESS SPECIFIED OTHERWISE

END A

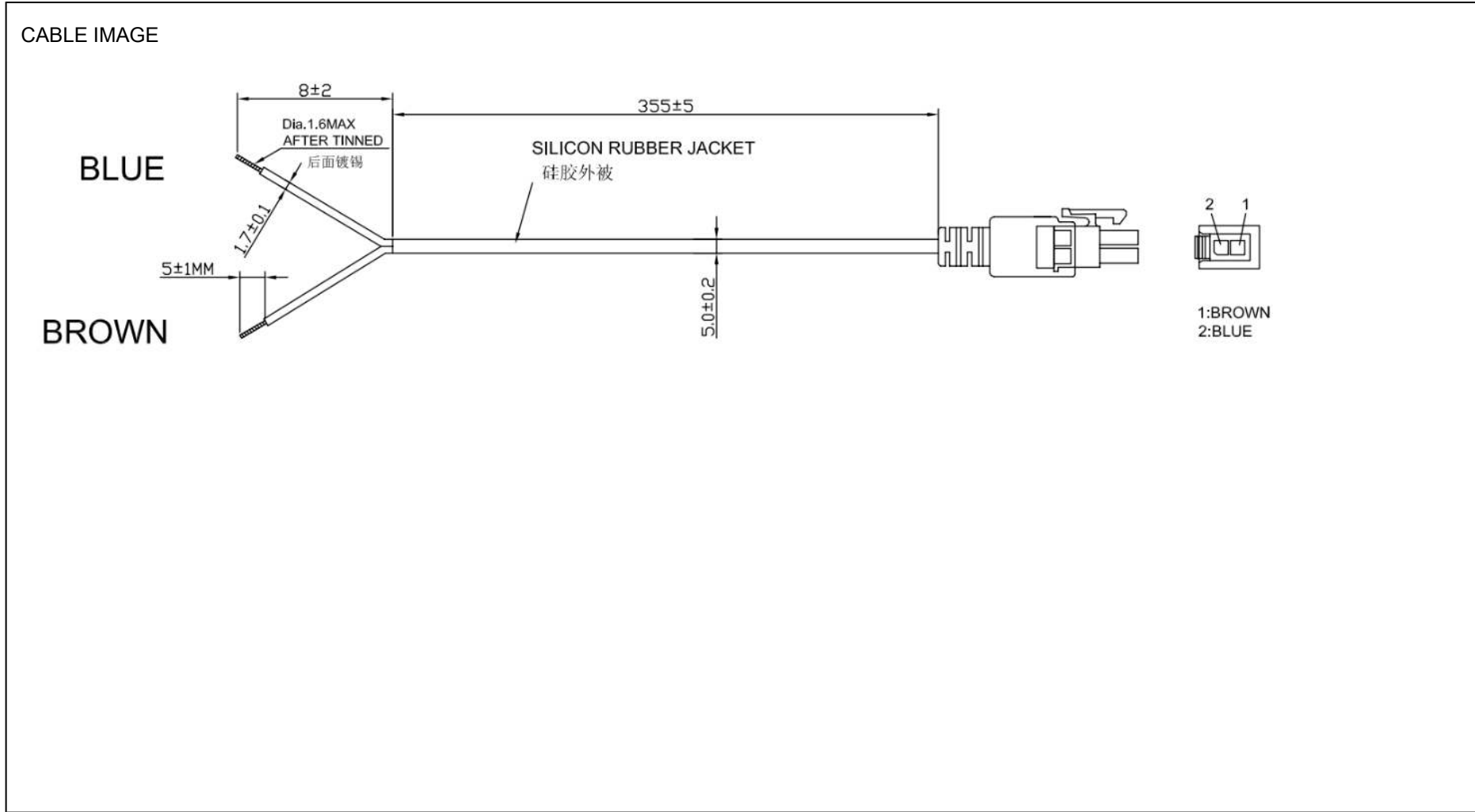
END B



Contacts: 43030-0001

GlobTek, Inc. www.globtek.com 186 Veterans Drive, Northvale, NJ 07647 Tel. (201) 784-1000 Fax (201) 784-0111	Drawing Title: Molex® Micro-Fit 3.0 Receptacle Housing, Dual Row, 2 Circuits, UL 94V-0, Low-Halogen, Black to STRIP AND TIN, ROJ 8MM, RIJ 5MM, GT Cable #SIL20-2: 20 / 2 Conductors, Approx 5.0mmmm OD, SILICON RUBBER WIRE, 150 Deg.C, 60V, BLUE/BROWN, Approvals: , 355mm, GlobTek Black
	Model No. Low voltage cable
Part No./Ordering No. MLX2SILI180M35TT	Rev A1

CUSTOMIZED LENGTHS, COLORS, CABLE TYPES, TERMINATIONS/PLUGS/RECEPTACLES AVAILABLE UPON REQUEST. ADDITIONAL PLUG OPTIONS ARE AVAILABLE AT <https://www.globtek.com/connectors/> STANDARD PLUGS AND CONNECTORS CAN BE SEEN ONLINE AT <https://www.globtek.com/connectors/> ACTUAL CONNECTORS, OVERMOLDS, FERRITES MAY VARY SLIGHTLY FROM THE PICTURE BELOW DIMENSIONS ARE IN MM UNLESS SPECIFIED OTHERWISE



GlobTek, Inc. www.globtek.com 186 Veterans Drive, Northvale, NJ 07647 Tel. (201) 784-1000 Fax (201) 784-0111	Drawing Title: Molex® Micro-Fit 3.0 Receptacle Housing, Dual Row, 2 Circuits, UL 94V-0, Low-Halogen, Black to STRIP AND TIN, ROJ 8MM, RIJ 5MM, GT Cable #SIL20-2: 20 / 2 Conductors, Approx 5.0mmmm OD, SILICON RUBBER WIRE, 150 Deg.C, 60V, BLUE/BROWN, Approvals: , 355mm, GlobTek Black	
	Model No. Low voltage cable	Part No./Ordering No. MLX2SILI180M35TT

CUSTOMIZED LENGTHS, COLORS, CABLE TYPES, TERMINATIONS/PLUGS/RECEPTACLES AVAILABLE UPON REQUEST. ADDITIONAL PLUG OPTIONS ARE AVAILABLE AT <https://www.globtek.com/connectors/> STANDARD PLUGS AND CONNECTORS CAN BE SEEN ONLINE AT <https://www.globtek.com/connectors/> ACTUAL CONNECTORS, OVERMOLDS, FERRITES MAY VARY SLIGHTLY FROM THE PICTURE BELOW DIMENSIONS ARE IN MM UNLESS SPECIFIED OTHERWISE

End A Code:43025-0200 (Molded) Description:Molex® Micro-Fit 3.0 Receptacle Housing, Dual Row, 2 Circuits, UL 94V-0, Low-Halogen, Black Rating (V):600 Rating (A):8.0 Gender:Female Overmolded:Yes	Cable Code:SIL20-2 Description:GT Cable #SIL20-2: 20 / 2 Conductors, Approx 5.0mmmm OD, SILICON RUBBER WIRE, 150 Deg.C, 60V, BLUE/BROWN, Approvals: Color:GlobTek Black Wire Gauge(AWG):20 Cond:2 Type:SILICON RUBBER WIRE Temperature:150° C Amps:7 Volts:60 OD:Approx 5.0mm ConductorsColors:BLUE/BROWN	End B Code:STRIP-TIN Description:STRIP AND TIN, ROJ 8MM, RIJ 5MM Rating (V): Rating (A): Gender:Male Overmolded:No
---------------------------------------------------------------------------------------------------------------------------------------------------------------------------------------------------------------------	--------------------------------------------------------------------------------------------------------------------------------------------------------------------------------------------------------------------------------------------------------------------------------------------------------------------------------------------	--------------------------------------------------------------------------------------------------------------------------------------

Overall cable rating:60V/7A

Plug Approvals	Cable Approvals	Connector Approvals
----------------	-----------------	---------------------

AGENCY ONLINE DOCUMENTS	http://en.globtek.com/cordsets/
RoHS/RoHS3 Declaration	https://www.globtek.com/pdf/rohs_cert/01t3a000004dvmAAA
REACH Declaration	https://www.globtek.com/pdf/iso_certificates/REACH.pdf
Conflict Minerals Declaration	https://www.globtek.com/pdf/conflict-minerals.pdf
Prop 65 Statement	https://en.globtek.com/prop-65-statement.pdf
CE.UKCA.Cord	https://globtek.secure.force.com/spec/ec_decl_product_model_family_incl_cord?id=01t3a000004dvmD

IPXY rating is based on 3rd party testing and customers should check suitability and test system level IPXY rating before ordering.

GlobTek, Inc. www.globtek.com 186 Veterans Drive, Northvale, NJ 07647 Tel. (201) 784-1000 Fax (201) 784-0111	Drawing Title: Molex® Micro-Fit 3.0 Receptacle Housing, Dual Row, 2 Circuits, UL 94V-0, Low-Halogen, Black to STRIP AND TIN, ROJ 8MM, RIJ 5MM, GT Cable #SIL20-2: 20 / 2 Conductors, Approx 5.0mmmm OD, SILICON RUBBER WIRE, 150 Deg.C, 60V, BLUE/BROWN, Approvals: , 355mm, GlobTek Black	
	Model No. Low voltage cable	
	Part No./Ordering No. MLX2SILI180M35TT	Rev A1

CUSTOMIZED LENGTHS, COLORS, CABLE TYPES, TERMINATIONS/PLUGS/RECEPTACLES AVAILABLE UPON REQUEST. ADDITIONAL PLUG OPTIONS ARE AVAILABLE AT <https://www.globtek.com/connectors/> STANDARD PLUGS AND CONNECTORS CAN BE SEEN ONLINE AT <https://www.globtek.com/connectors/> ACTUAL CONNECTORS, OVERMOLDS, FERRITES MAY VARY SLIGHTLY FROM THE PICTURE BELOW DIMENSIONS ARE IN MM UNLESS SPECIFIED OTHERWISE

Hanking:
 Description:
 Image:

Notes/Modifications/Customizations (notes in this section supersede the values shown in the standard spec):