

1

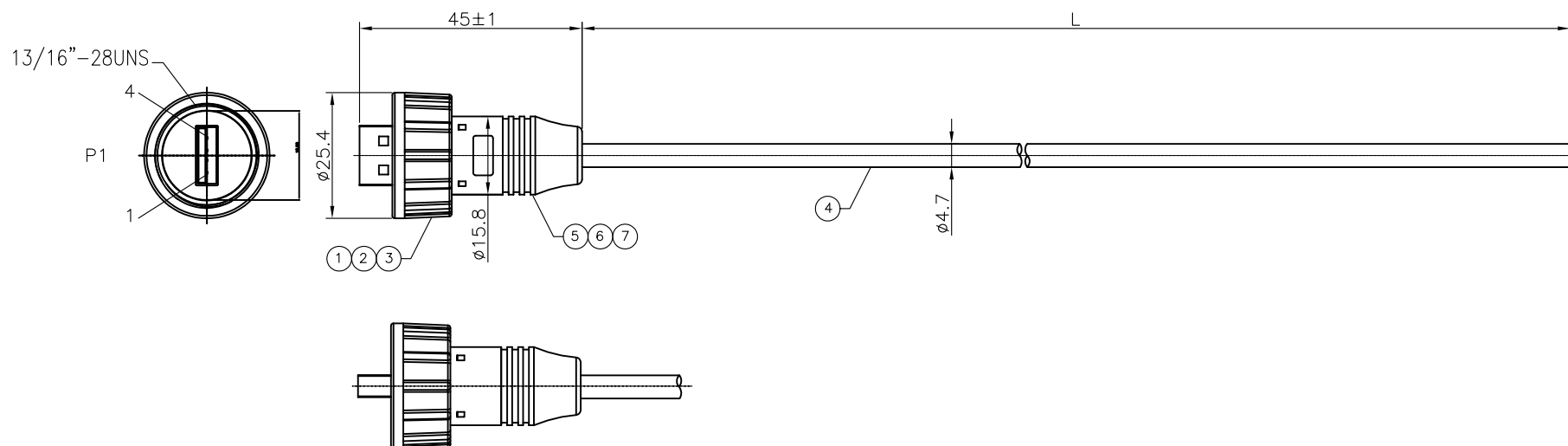
2

3

4

5

RoHS Compliant



## Notes:

1. Waterproof Rate: IP67
2. Electrical Characteristics:  
Current Rating: 1A  
Voltage Rating: 30V

## PIN OUT:

PIN	WIRE COLOR	WIRE GAUGE
1	Red	24AWG
2	White	28AWG
3	Green	28AWG
4	Black	24AWG
Shell	Drain	

P/N	L
107-1024-BL-00050	500±30
107-1024-BL-00100	1000±30
107-1024-BL-00150	1500±30
107-1024-BL-00200	2000±40

ITEM	DESCRIPTION	MATERIAL	PLATING & COLOR	Q'TY
1	USB Plug	USB 2.0 SMD	N/A	1
2	Screw Nut	PC	Black	1
3	Gasket	EPDM	Black	1
4	Cable	UL2725 24AWG*2C+28AWG*1P+ADB OD:4.7 UV Resistant	Black(PVC Jacket)	A/R
5	Outer molding	TPU	Black	A/R
6	Inner molding	TPU	Natural	A/R
7	Heat Shrink Tube	OD:1.0 300V 125°	Black	1

DRAWN:

GENERAL TOLERANCE:

X=±5  
.X=±0.5  
.XX=±0.3

# CnC Tech

Industrial Cable and Connector Technology

CHECKED:

UNIT: MM

DESCRIPTION: **WATERPROOF USB PLUG CABLE ASSEMBLY**

SIZE

B

SCALE: 1:1

A

11-Jul-2019

APPROVAL:

SHEET: 1 / 1

PART NO:

107-1024-BL-00XXX

A4

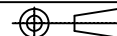
REV

DATE

FILE

BY

PROJECTION:



A

B

C

D