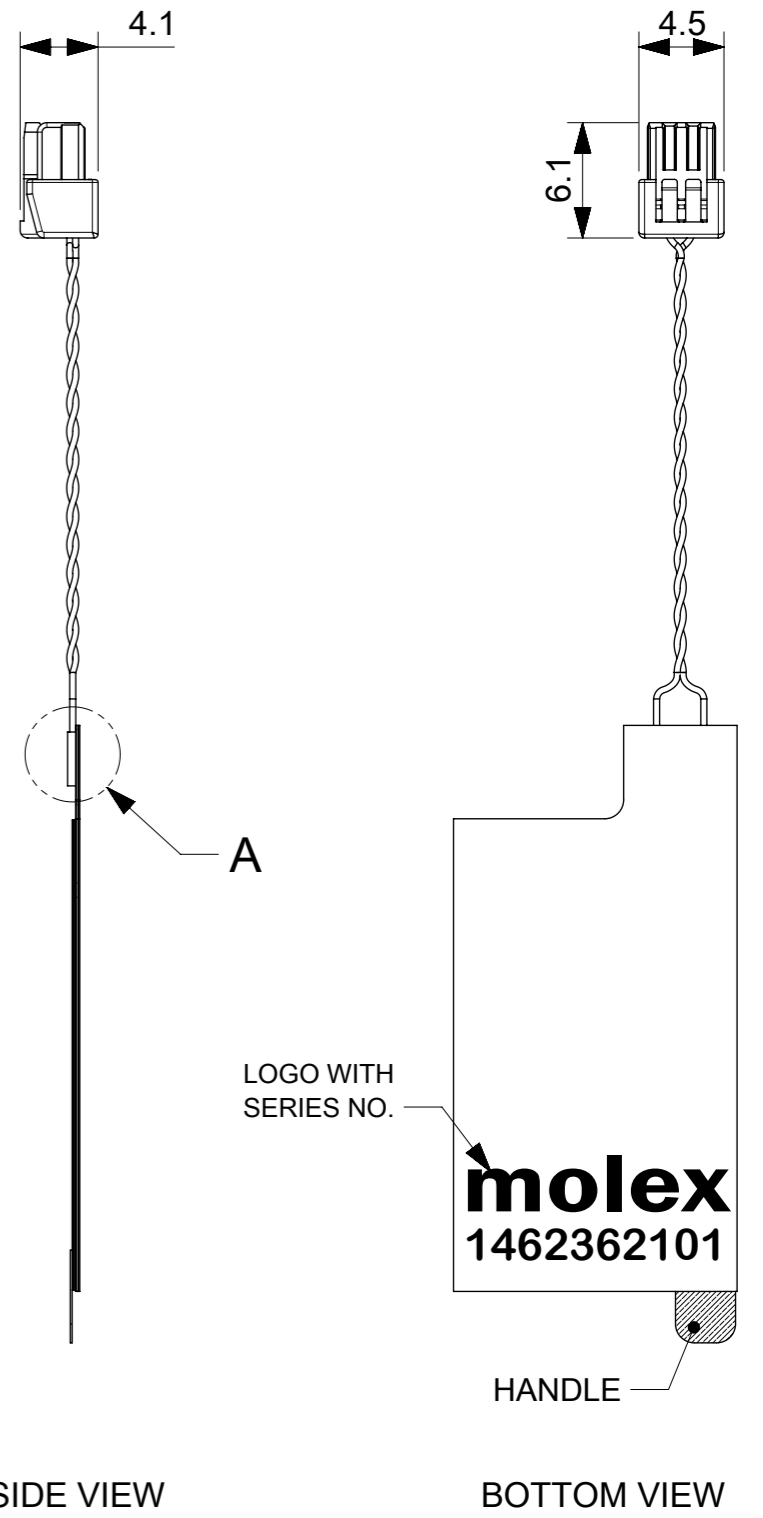
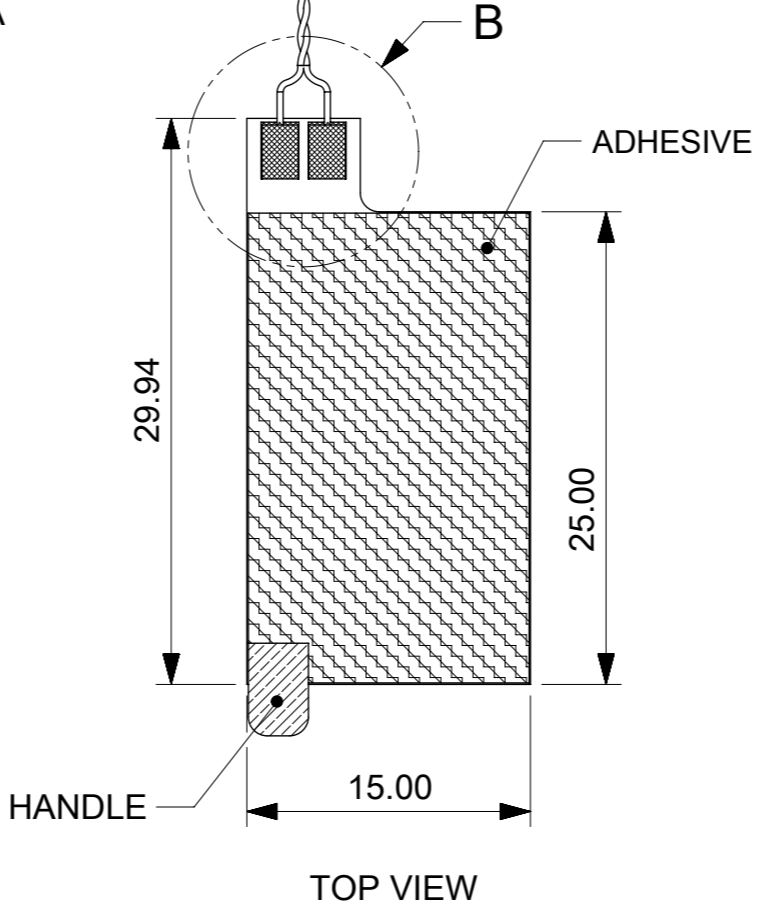
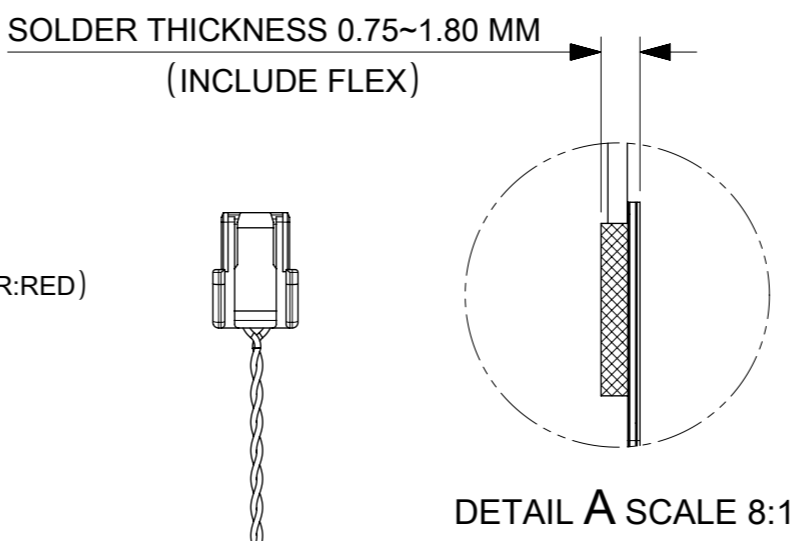
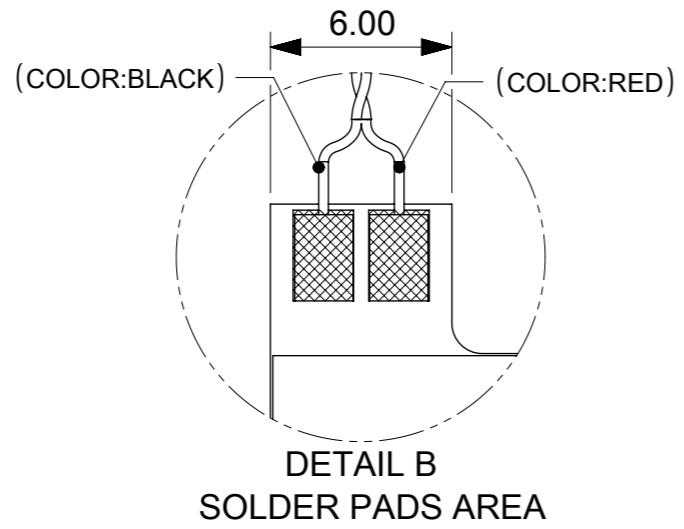
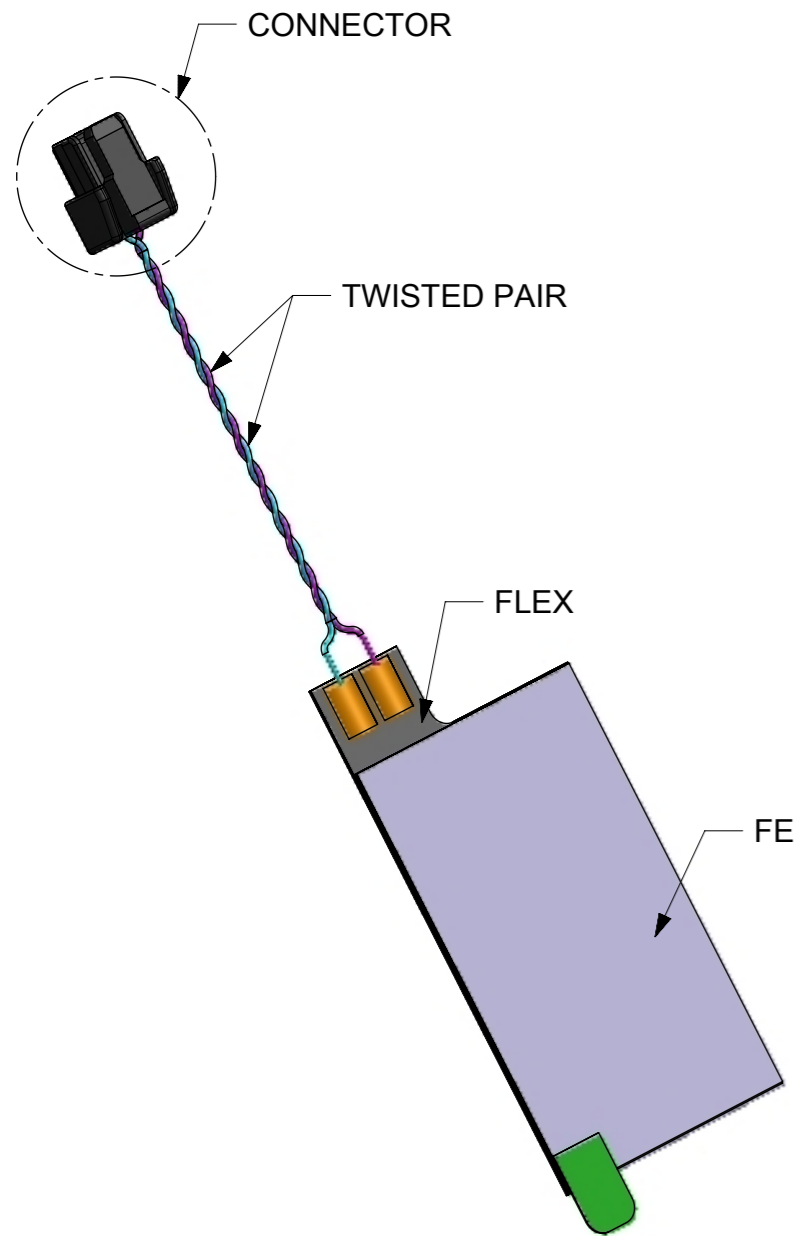


STACK-UP	
ITEM	LAYER
1	RELEASE PAPER
2	ADHESIVE
3	FERRITE
4	ADHESIVE
5	FLEX

REV	DATE	CHANGE DESCRIPTION
A	2019/04/24	NEW RELEASE



- NOTES:
- NFC ANTENNA THICKNESS 0.17 ± 0.05 mm.
NFC ANTENNA WITH FERRITE THICKNESS 0.37 ± 0.07 mm
 - CABLE INFORMATION:
WIRE RANGE:28 AWG; COLOR: BLACK AND RED ;
LENGTH:80mm.
 - CONNECTOR:
HOUSINGS(P/N:505565-0201)
TERMINALS(P/N:505431-1000)
 - SOLDER MASK:BLACK.
 - ADHESIVE(FERRITE) THICKNESS:100um.

SYMBOLS = 0 = 0 = 0 = 0 = 0 = 0 = 0 = 0 = 0 = 0	THIS DRAWING CONTAINS INFORMATION THAT IS PROPRIETARY TO MOLEX ELECTRONIC TECHNOLOGIES, LLC AND SHOULD NOT BE USED WITHOUT WRITTEN PERMISSION DIMENSION UNITS: mm SCALE: 1:1	CURRENT REV DESC: EC NO: 616188 DRWN: KCHENG06 2019/04/24 CHK'D: XJSONG 2019/04/25 APPR: XJSONG 2019/04/25	 1462362101		
	GENERAL TOLERANCES (UNLESS SPECIFIED) ANGULAR TOL ± °	INITIAL REVISION: DRWN: KCHENG06 2019/04/24 APPR: XJSONG 2019/04/25	NFC COIL 15X25MM WITH AWG28 WIRE 80MM PRODUCT CUSTOMER DRAWING		
	4 PLACES ± 3 PLACES ± 2 PLACES ± 1 PLACE ± 0 PLACES ±	DRAFT WHERE APPLICABLE MUST REMAIN WITHIN DIMENSIONS THIRD ANGLE PROJECTION 	DRAWING: A3-SIZE SERIES: 146236	DOCUMENT NUMBER: 1462362101 DOC TYPE: PSD DOC PART: 000 REVISION: A	CUSTOMER: GENERAL MARKET SHEET NUMBER: 1 OF 1