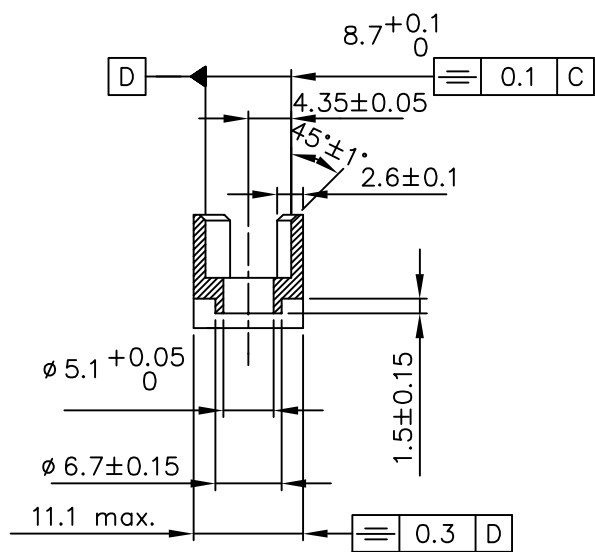
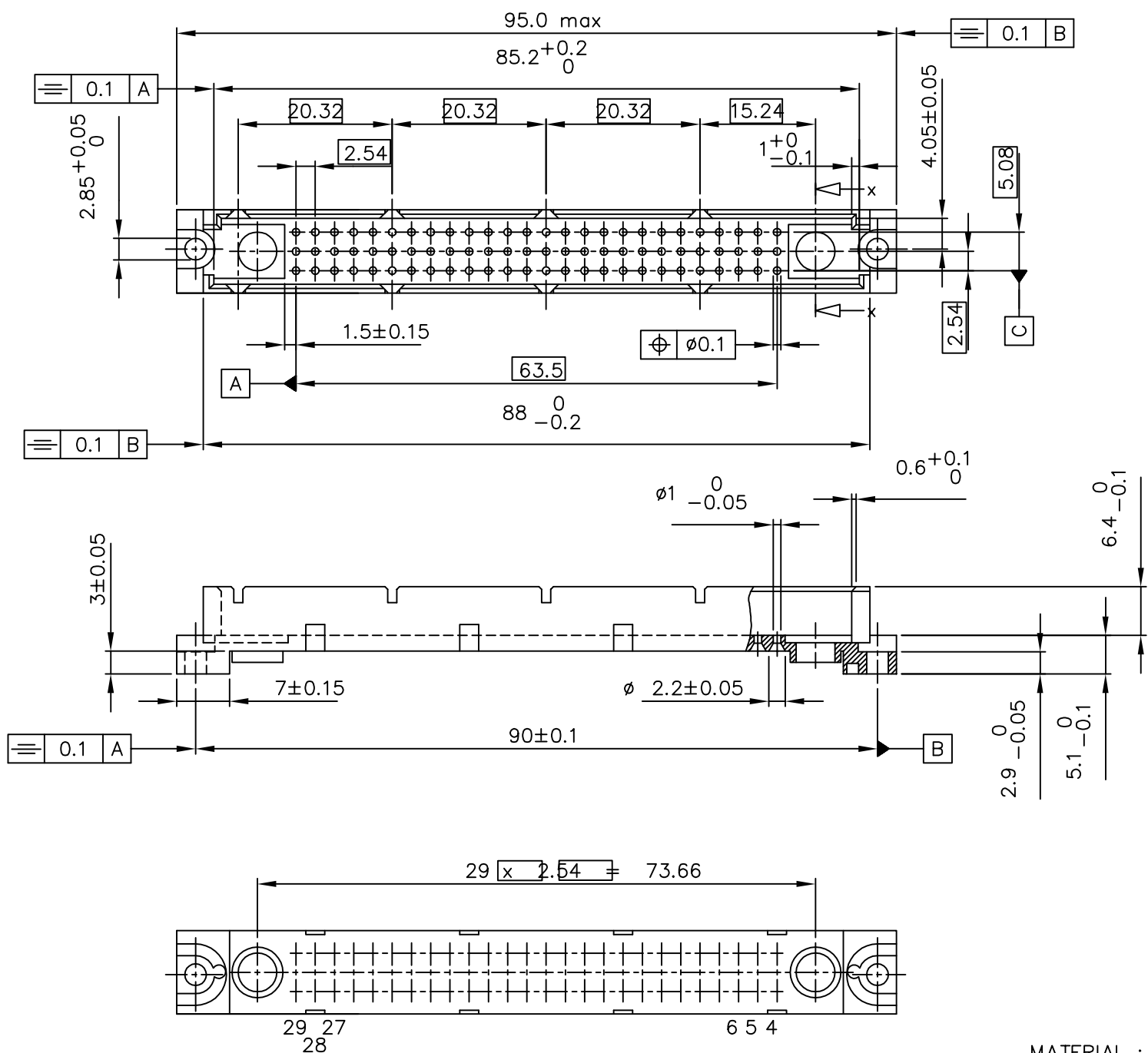
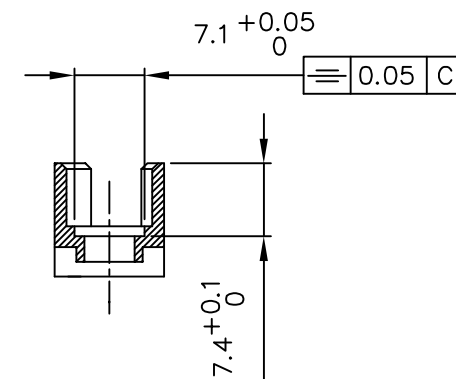


PRODUCT NUMBER SEE SHEET 2



SECTION X-X
FOR PRODUCT NUMBERS
70033-001/-002/-003/-004



SECTION X-X
FOR PRODUCT NUMBERS
70033-005/-006/-007/-008

NOTES:-

1. THIS PRODUCT MEETS EUROPEAN UNION DIRECTIVES AND OTHER COUNTRY REGULATIONS AS DESCRIBED IN GS-22-008.
2. LEADFREE OR RoHS DIRECTIVE LABELLING TO BE PROVIDED AS PER GS-14-920.
3. " LF " SUFFIX TO PRODUCT NUMBER FOR RoHS COMPATIBLE/ LEADFREE VERSION.
4. PARTS WITH AND WITHOUT "LF " SUFFIX ARE FORM-FIT AND FUNCTIONALLY IDENTICAL. " LF " SUFFIX PROVIDED FOR PART NUMBER STANDARDISATION OF PART THAT MEETS RoHS REQUIREMENTS.

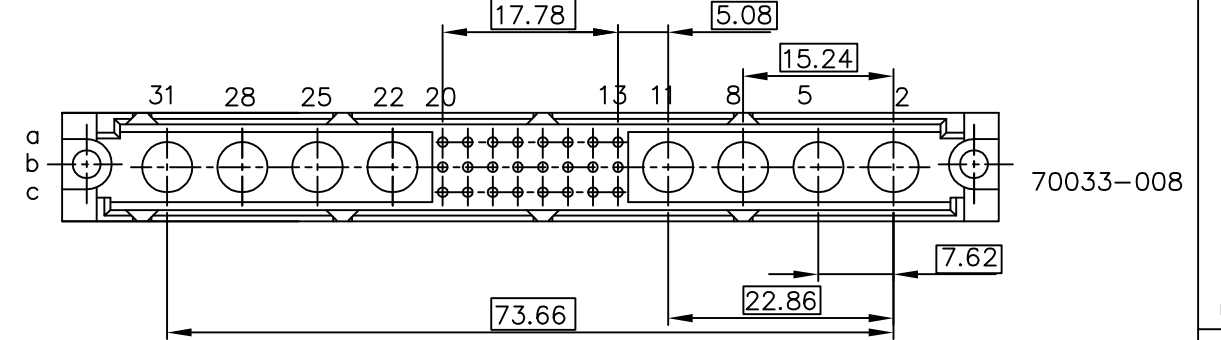
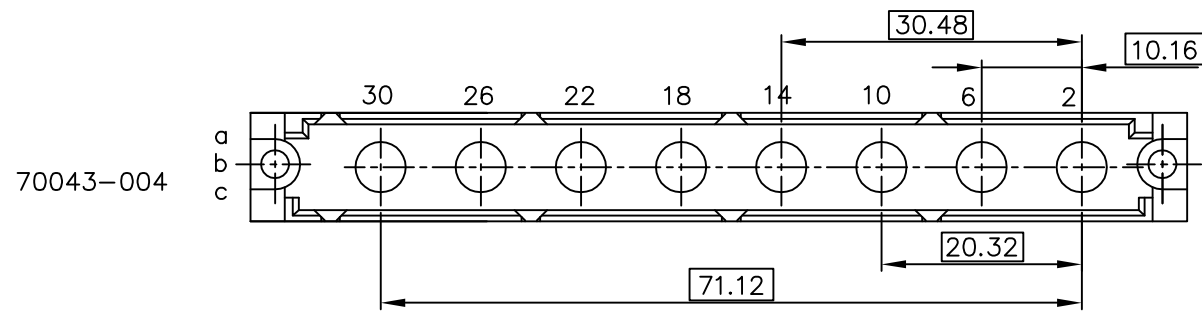
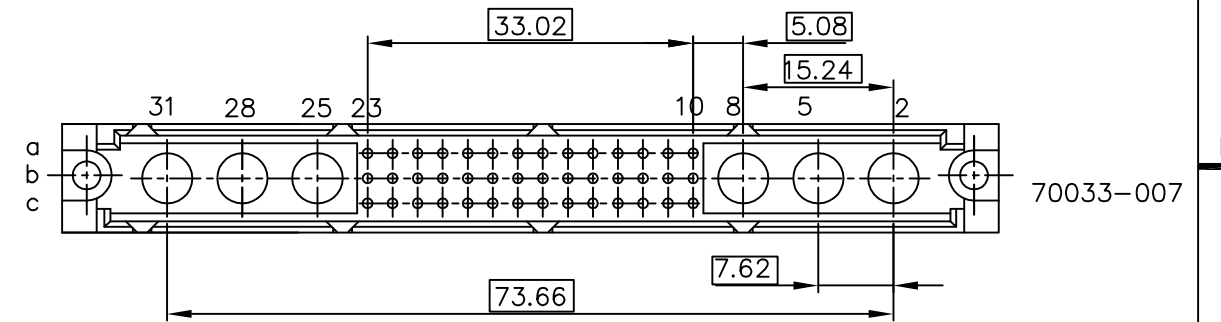
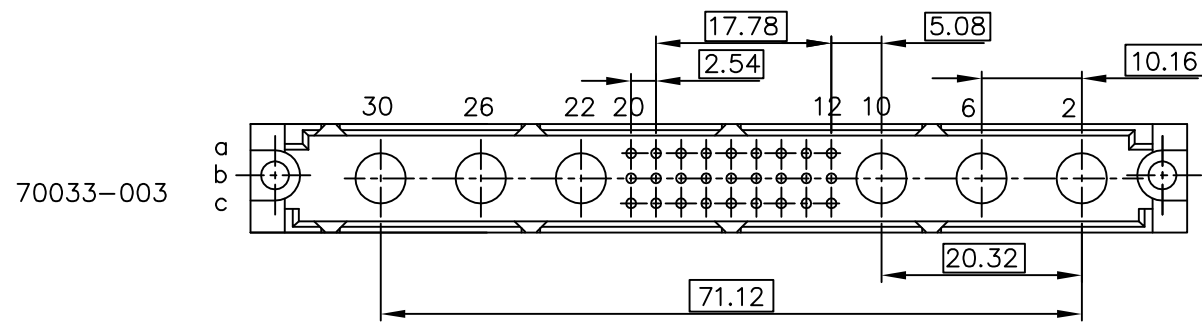
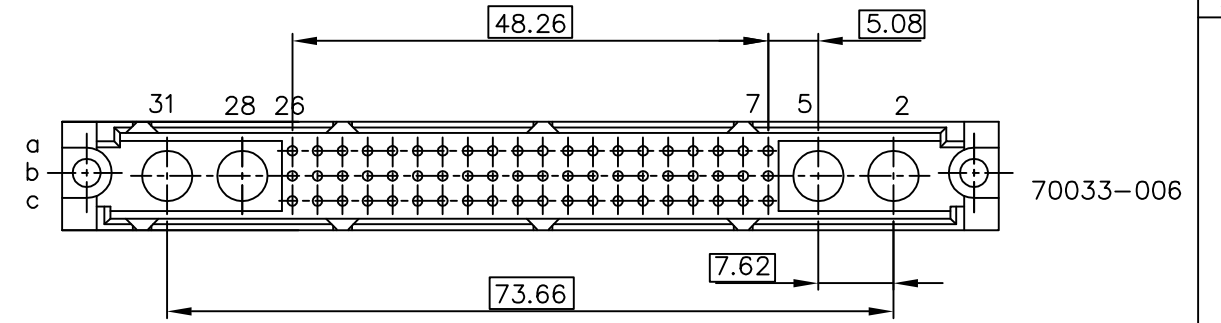
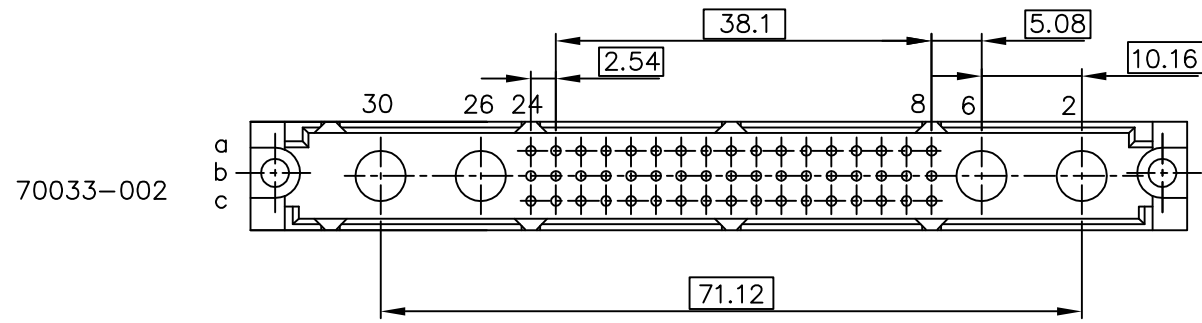
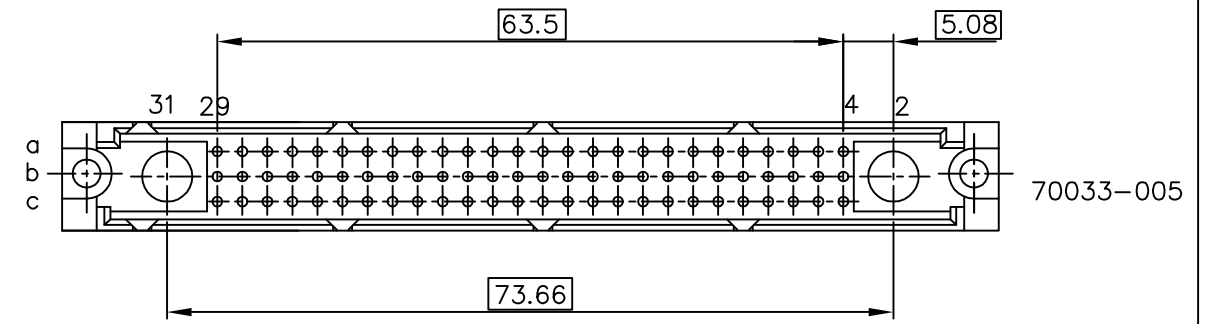
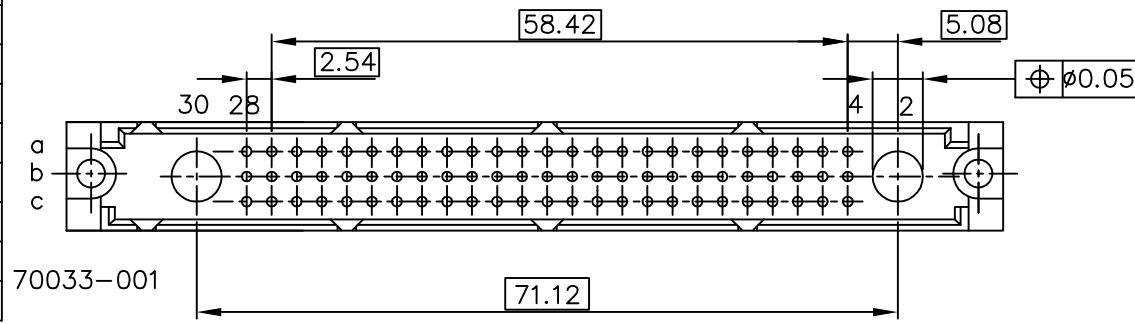
MATERIAL : THERMOPLASTIC POLYESTER, COLOUR GREY
FLAME RETARDANT PER UL-94-V0

mat'l. code		surface		tolerance		projection		product family	
SEE NOTE		ISO 1302		ISO 406 ISO 1101		mm		BACKPANEL	
ltr	ecn no	dr	date	tolerances unless otherwise specified		mm		title	
D	H80467	LGI	1998-07-23	angles	linear	mm		SHROUD HYBRID BACK	
E	F00406	LLA	2000-05-22			scale -			
F	I04-0104	MINI	2004-11-30						
G	I05-0123	MINI	2005-07-27	dr	D.LEGRAND	2000-10-10		dwg no sheet 1 of 2 size	
H	I05-0248	MINI	2005-11-22	enrg	J.F.NOTTEAU	2000-10-10		70033 A3	
J	I06-0082	MINI	2006-06-01	chr	RAKHEE GEORGE	2006-06-01		type Product Customer Drawing	
sheet index		revision sheet		J	E				
		1 2							

PRODUCT NUMBER	NUMBER OF SPECIAL CONTACTS
70033-001	2
70033-002	4
70033-003	6
70033-004	8
70033-005	2
70033-006	4
70033-007	6
70033-008	8

MODULAR

DIN



NOTES:-

1. THIS PRODUCT MEETS EUROPEAN UNION DIRECTIVES AND OTHER COUNTRY REGULATIONS AS DESCRIBED IN GS-22-008.
2. LEADFREE OR RoHS DIRECTIVE LABELLING TO BE PROVIDED AS PER GS-14-920.
3. " LF " SUFFIX TO PRODUCT NUMBER FOR RoHS COMPATIBLE/ LEADFREE VERSION.
4. PARTS WITH AND WITHOUT "LF " SUFFIX ARE FORM-FIT AND FUNCTIONALLY IDENTICAL. " LF " SUFFIX PROVIDED FOR PART NUMBER STANDARDISATION OF PART THAT MEETS RoHS REQUIREMENTS.

mat'l. code		surface		tolerance		projection		product family	
SEE NOTE		ISO 1302		ISO 406 ISO 1101		mm		BACKPANEL	
ltr	ecn no	dr	date	tolerances unless otherwise specified		mm		title	
C	H80467	LGI	1998-07-23	angles	linear	mm		SHROUD HYBRID BACK	
D	I05-0248	MINI	2005-11-22			scale -		dwg no	
E	I06-0082	MINI	2006-06-01					sheet 2 of 2	
		dr		D.LEGRAND		2000-10-10		size	
		enr		J.F.NOTTEAU		2000-10-10		A3	
		chr		RAKHEE GEORGE		2006-06-01		type	
		appd		RAKHEE GEORGE		2006-06-01		Product Customer Drawing	
sheet index	revision sheet								



Copyright FCI