

Raychem

**SPECIFICATION
CONTROL DRAWING**

Product Name

ECA-0133

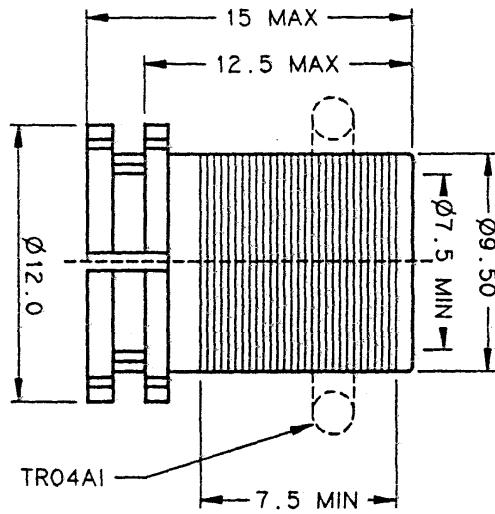
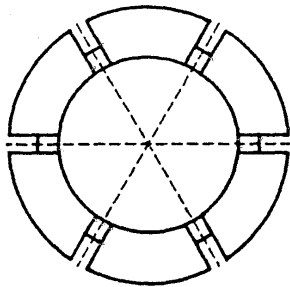
Date

11 JAN 1990

Revision

C

SPIGOT LARGE SIZE



TINEL RING REF: TR04A1

1. THIS SPIGOT IS DESIGNED TO BE MOUNTED ON MULTIWAY BACKSHELLS : - ECA-0129
- ECA-0130
2. TO BE USED WITH TINEL RING TR04A1
3. TINEL RING SHOWN FOR REFERENCE ONLY- MUST BE ORDERED SEPERATELY
4. MATERIAL: ALUMINUM ALLOY
5. FINISH: CADMIUM PLATED PER QQ-P-416
6. TOLERANCES: UNLESS OTHERWISE SPECIFIED
.XX±.2
.X±.5
X±1

If this document is printed it becomes uncontrolled.
Check with the web for latest revision.

Dimensions are in millimeters

DRAWN R TREADWELL
Engineering R. Treadwell

APPROVED C ROLLAND
Development

APPROVED A POMEY
Product Manager

APPROVED P GUILLON
Quality Assurance

REPLACES

PROJECT NUMBER