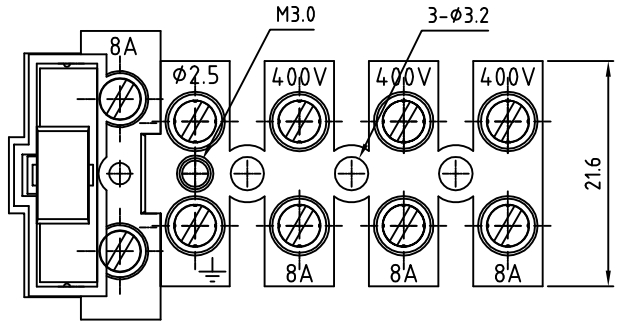


SIGN	DATE	DESCRIPTION	APPROVER

THIS IS CAD DRAWING, DO NOT REVISE MANUALLY!!!



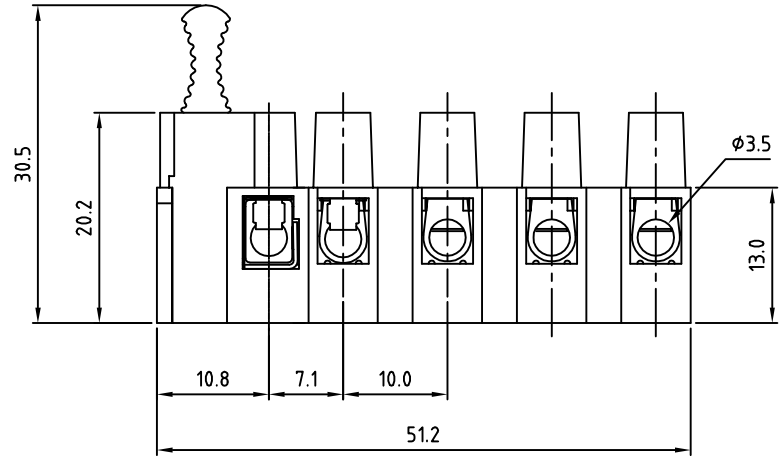
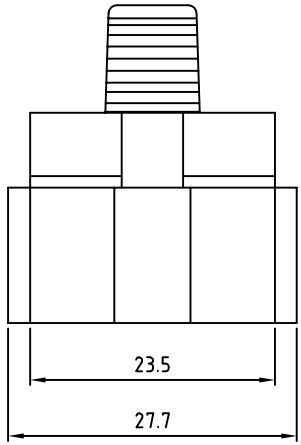
Material

- Terminal body (metal housing): Brass(CuZn)
- Terminal screw: Steel Zinc plating "-" slot type
- Wire guard: Steeless steel
- Insulator (housing): Thermoplastic (UL94V-0)

Electrical UL/cUL

- Voltage rating: 400VAC/400VAC
- Current rating: 8A/8A
- Wire range: Solid wire(AWG): none/14-22
Stranded wire(AWG): 14-22/14-22
- Torque(Lb-In): 3.5
- Screw: M3
- Wire strip length: 7-8mm
- Withstanding Voltage: 1.8KV
- Operating temperature: -30°C to +105°C
- Safety Approval:

RoHS Compliant



PART NUMBER:

OSTTM051900

COLOR

- 8: Grey
- 9: White (Standard)



THESE DRAWINGS AND SPECIFICATIONS ARE THE PROPERTY OF ON-SHORE TECHNOLOGY, INC. AND SHALL NOT BE REPRODUCED, COPIED OR USED IN ANY MANNER WITHOUT THE PRIOR WRITTEN CONSENT OF ON-SHORE TECHNOLOGY, INC.

TITLE		OSTTM - series 5 Poles with handle			
PART NO.	OSTTM051900	DWG NO.	OSTTM051900.DWG		
APPROVED	CHECKED	DESIGNED	DRAWN	CUST NO.	Tolerance
Shi Jun 2006.10.20	Marvin 2006.06.24	Marvin 2006.06.24	Marvin 2006.06.24		X. ±0.50 X.X ±0.30 X.XX ±0.10 X° ±1°
				SHEET: 01/01	UNIT: mm SCALE: NONE REV.: D