

SPECIFICATION

For Electro-Magnet Buzzer

Customer	
Customer P/N	
BeStar Model Name	BMT1606XH14LF
Product No.	020300
Issue No.	BS/TET01.070B
Issue Date	05/07/25

Approval:

- 1.Characteristic
- 2.Drawing
- 3.Reliability Test
- 4.Packing
5. History change record

Drawn by	Checked by	Approved by	Customer approved

For conform to the European Union Directive on the Restriction of Hazardous Substances(RoHS), this type of productions forbid use all the hazardous substances as follow:

Lead
Cadmium
Mercury
Hexavalent chromium
Polybrominated biphenyls (PBB)
Polybrominated diphenyl ethers (PBDE)



BESTAR ELECTRONICS INDUSTRY CO.,LTD
No.199 HuangHe West Road.New district,changzhou,
jiangsu Province,P.R.China
Tel:86-519-8222567 Fax:86-519-8222551
Http:www.be-star.com
E-mail: wu@be-star.com, info@be-star.com

BMT1606XH14LF



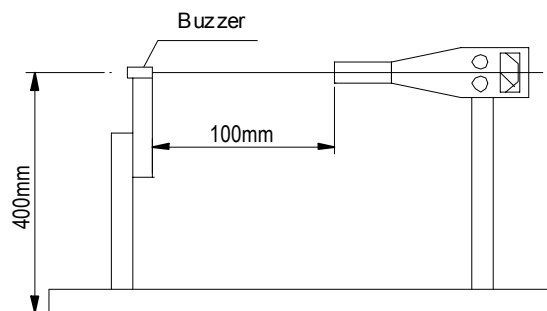
1. Characteristics

1.1 Electrical and Mechanical Characteristics

No.	Item	Specification
1.	Operating Voltage	4-8V
2.	Rated Voltage	6V
3.	a)Sound Output Level at 10cm	min85dB
4.	a)Rated Current	max30mA
5.	a)Resonant Frequency	2300 ± 300Hz
6.	b)Response Time	max50 ms
7.	Operating Temperature	-30...+85 ° C
8.	Storage Temperature	-40...+85 ° C
9.	Weight	7g
	a)Value applying rated voltage(DC)	
	b)Value applying (Min.operating DC voltage)	

1.2 Standard test Fixture

No reaction in space with in 400mm in all direction



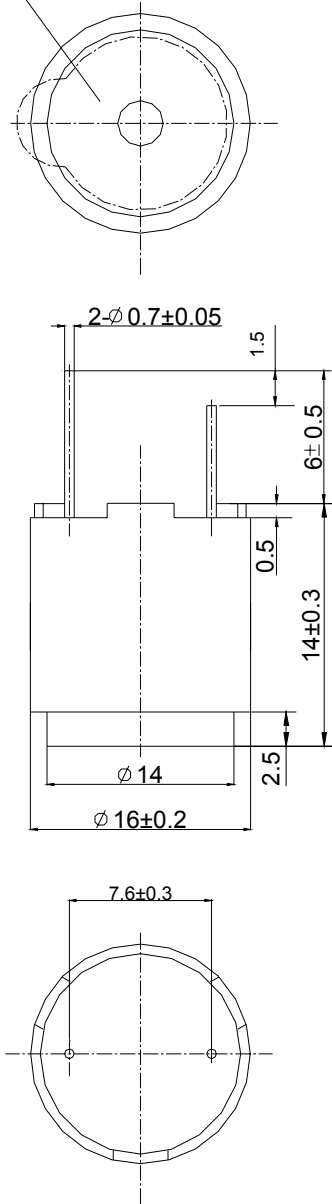
This print and information there in are proprietary to Bestar Electronics Industry Co., Ltd. and shall not be used in whole or in part without its written content

				Date:	05/07/25	BMT1606XH14LF
B	05/07/25	王善梅		Drawn by:	王善梅	
A	01/06/20	王善梅		Checked by:	韩学慧	Buzzer
Rev.	Date	Drawn	Note	Approved by:	郭敏	
BESTAR ELECTRONICS INDUSTRY CO.,LTD						DRG NO: BS/TET01.070B
www.be-star.com wu@be-star.com						Page:1 of 5

BMT1606XH14LF

2.Drawing

masking label



This print and information there in are proprietary to Bestar Electronics Industry Co., Ltd. and shall not be used in whole or in part without its written content

				Date:	05/07/25	BMT1606XH14LF	
B	05/07/25	王善梅		Drawn by:	王善梅		
A	01/06/20	王善梅		Checked by:	韩学慧	Buzzer	
Rev.	Date	Drawn	Note	Approved by:	郭敏		
BESTAR ELECTRONICS INDUSTRY CO.,LTD						DRG NO: BS/TET01.070B	Page:2 of 5
www.be-star.com wu@be-star.com							

BMT1606XH14LF

3. Reliability test

3.1 high temperature test

Temperature +85° C
 Duration 96hrs

3.2 low temperature test

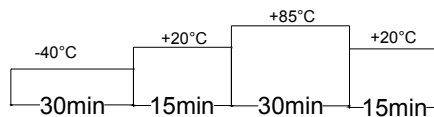
Temperature -40° C
 Duration 96hrs

3.3 life test in normal temperature

Power supply rated voltage
 Duration 1000hrs

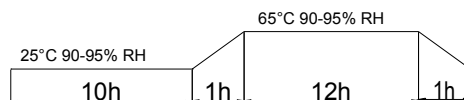
3.4 temperature cycle test

Cycles 5



3.5 Humidity cycle test

cycles 10



all these tests above should be measured after leaving normal temperature for 2hrs.

3.6 Drop test

Height 100cm
 (to 10mm thickness woodenboard)
 Direction 3

3.7 Solderability test

Solderability temperature 255° C
 Heat applying time 3sec

Notice: All specification must be satisfied in this condition except SPL.SPL shall be 80dB or more

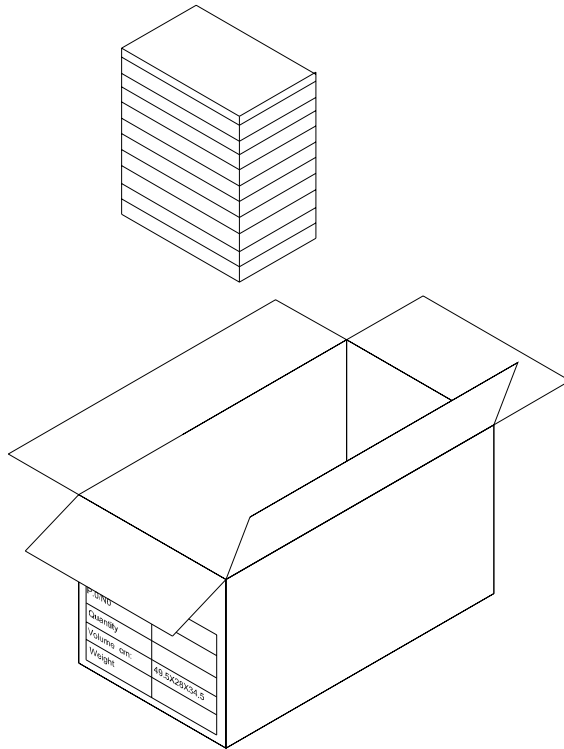
This print and information there in are proprietary to Bestar Electronics Industry Co., Ltd. and shall not be used in whole or in part without its written content

				Date:	05/07/25	BMT1606XH14LF
B	05/07/25	王善梅		Drawn by:	王善梅	
A	01/06/20	王善梅		Checked by:	韩学慧	Buzzer
Rev.	Date	Drawn	Note	Approved by:	郭敏	
BESTAR ELECTRONICS INDUSTRY CO.,LTD						DRG NO: BS/TET01.070B
www.be-star.com wu@be-star.com						Page:3 of 5

BMT1606XH14LF

4.Packing

4.1 packing drawing



4.2 packing quantity

- 1)50pcs/tray
- 2)40tray/carton
- 3)2000 pcs/carton in total
- 4)carton size 49.5x28x34.5cm

This print and information there in are proprietary to Bestar Electronics Industry Co., Ltd. and shall not be used in whole or in part without its written content

				Date:	05/07/25	BMT1606XH14LF	
B	05/07/25	王善梅		Drawn by:	王善梅		
A	01/06/20	王善梅		Checked by:	韩学慧	Buzzer	
Rev.	Date	Drawn	Note	Approved by:	郭敏		
BESTAR ELECTRONICS INDUSTRY CO.,LTD						DRG NO: BS/TET01.070B	Page:4 of 5

BMT1606XH14LF

5. History change record

version No.	Change Items		Date	Drawn	Approved
	Before	After			
A			01/06/20	王善梅	查红红
B		RoHS	05/07/25	王善梅	郭敏

This print and information there in are proprietary to Bestar Electronics Industry Co., Ltd. and shall not be used in whole or in part without its written content

				Date:	05/07/25	BMT1606XH14LF	
B	05/07/25	王善梅		Drawn by:	王善梅		
A	01/06/20	王善梅		Checked by:	韩学慧	Buzzer	
Rev.	Date	Drawn	Note	Approved by:	郭敏		
BESTAR ELECTRONICS INDUSTRY CO.,LTD						DRG NO: BS/TET01.070B	Page:5 of 5
www.be-star.com wu@be-star.com							