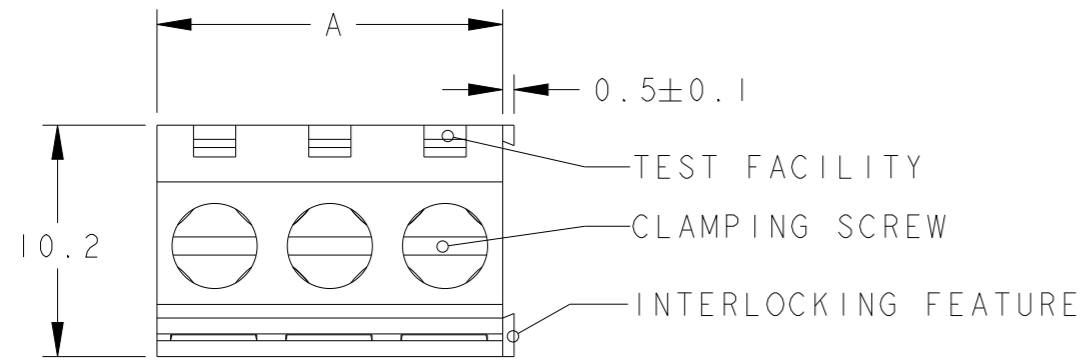
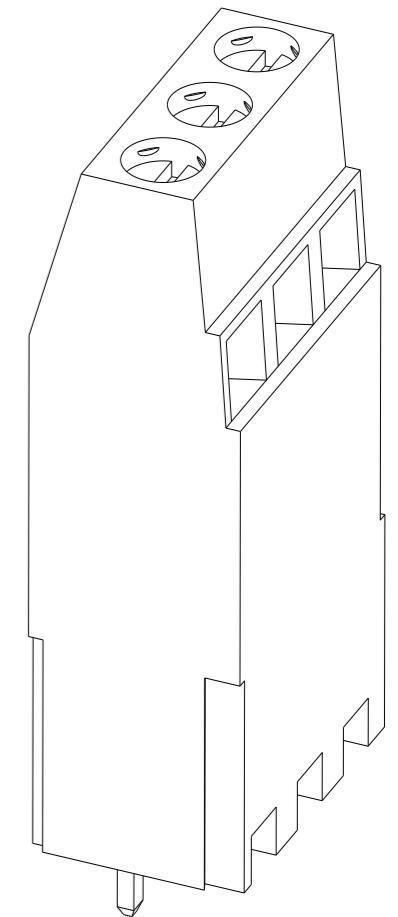


P	LTR	DESCRIPTION	DATE	DWN	APVD
	D	REVISED PER ECO-14-016226	31OCT2014	NK	MM
	DI	PART STATUS UPDATED	27DEC2021	SCB	PS

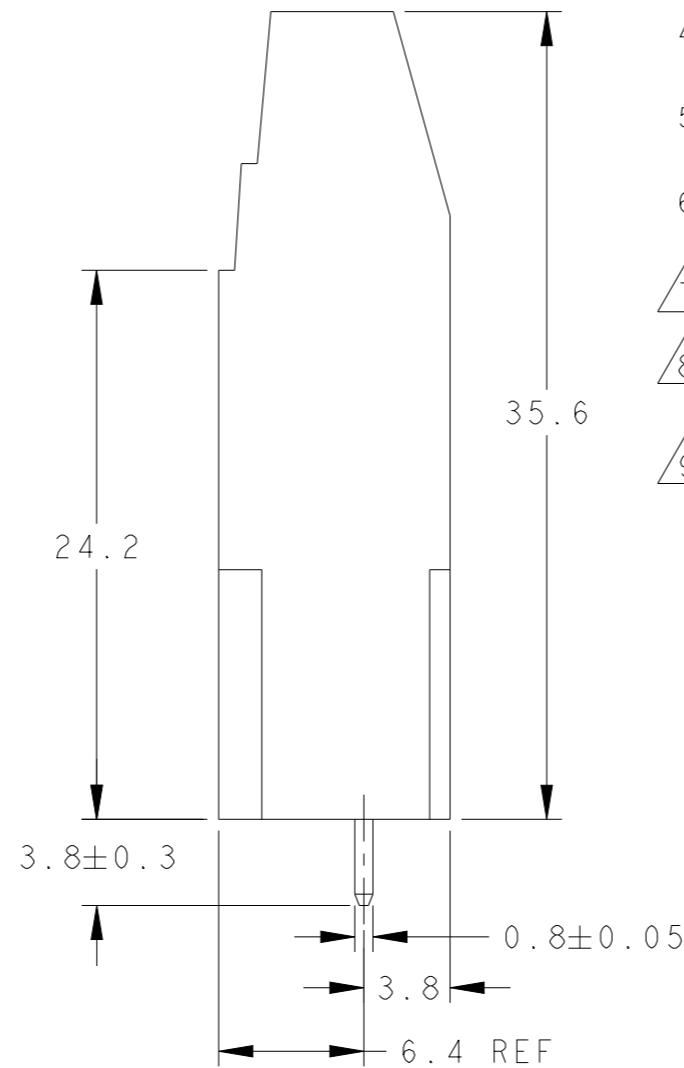


- 1 MATERIALS AND FINISH
HOUSING: PA 6-6, UL 94-V0, COLOR GREEN.
CLAMP: BRASS, NICKEL PLATED.
TERMINAL: BRASS, TIN PLATED.
CLAMPING SCREW: M3, BRASS, NICKEL PLATED.
- 2 SUITABLE FOR 1,6-2,4mm PC BOARD THICKNESS.
- 3 END-TO-END STACKABLE W/INTERLOCK WITHOUT LOSS OF CENTERLINE SPACING.
- 4 WIRE SIZE RANGE
12 - 30 AWG
- 5 RECOGNIZED UNDER THE COMPONENT PROGRAM OF UNDERWRITERS LABORATORIES INC., FILE N° E60677.
- 6 IMQ CERTIFICATE WITH SURVEILLANCE IN CONFORMITY WITH IEC 998-1/998-2-1.

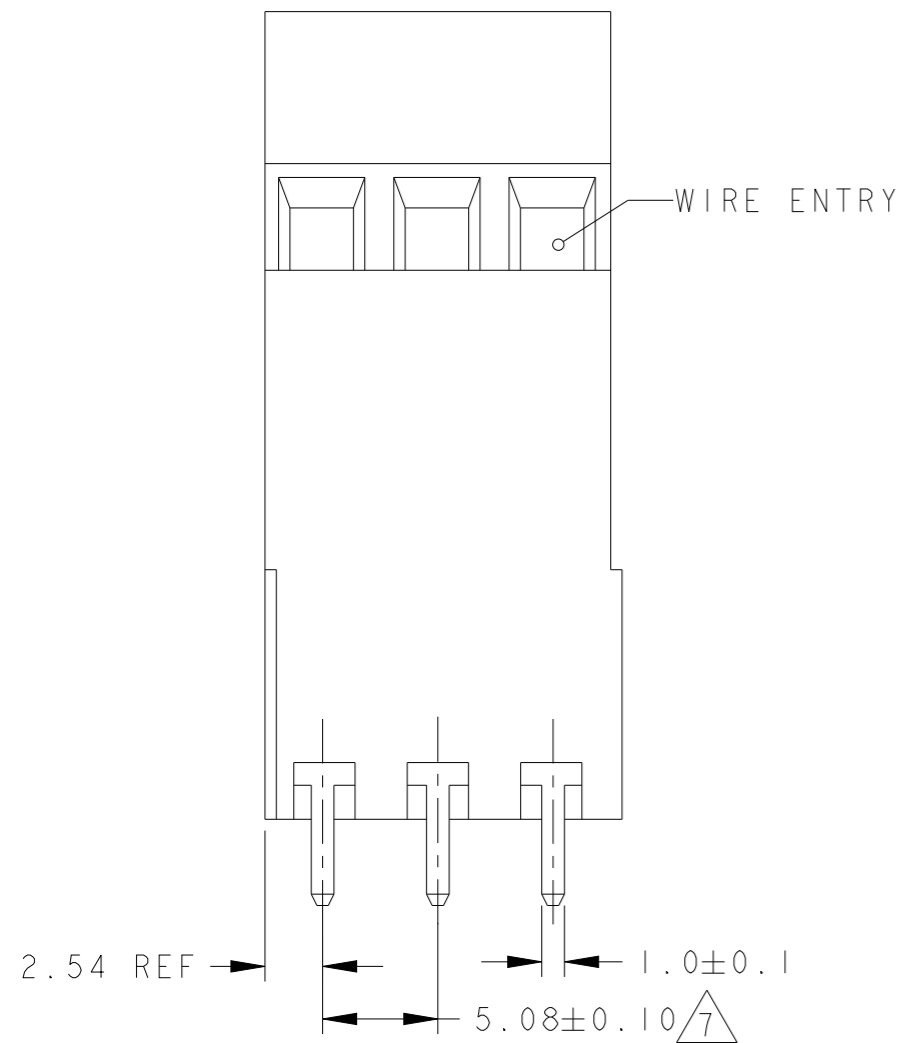
- 7 NOT CUMULATIVE TOLERANCE.
- 8 SPECIAL INK MARKING, BLACK COLOR (SEE DETAIL)
- 9 OBSOLETE



282905-3 AS SHOWN

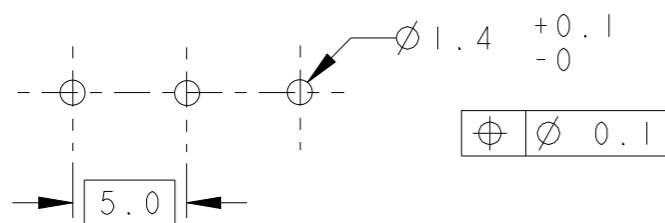


2-282905-2 AS SHOWN



DIM. A	NO OF POS.	PART NUMBER
+0.16	2	2-282905-2
+15.24	3	282905-3
10.16	2	282905-2

RECOMMENDED PC BOARD LAYOUT



THIS DRAWING IS A CONTROLLED DOCUMENT.		DWN E. ZANOLINI 07NOV2001	TE Connectivity	
DIMENSIONS: mm		CHK D. BIEVENOUR 07NOV2001		
TOLERANCES UNLESS OTHERWISE SPECIFIED:		APVD D. BIEVENOUR 07NOV2001	NAME TERMINAL BLOCK, PCB MOUNT	
0 PLC ±-		PRODUCT SPEC 108-20166	3RD LEVEL	
1 PLC ±.3		APPLICATION SPEC 114-20079	STACKING W/INTERLOCK, 5.08mm. PITCH	
2 PLC ±.25		WEIGHT -	SIZE A3	CAGE CODE -
3 PLC ±-		MATERIAL 1	DRAWING NO C-282905	RESTRICTED TO -
4 PLC ±-			SCALE 3:1	SHEET 1 OF 1
ANGLES ±2°		CUSTOMER DRAWING		
FINISH 1				